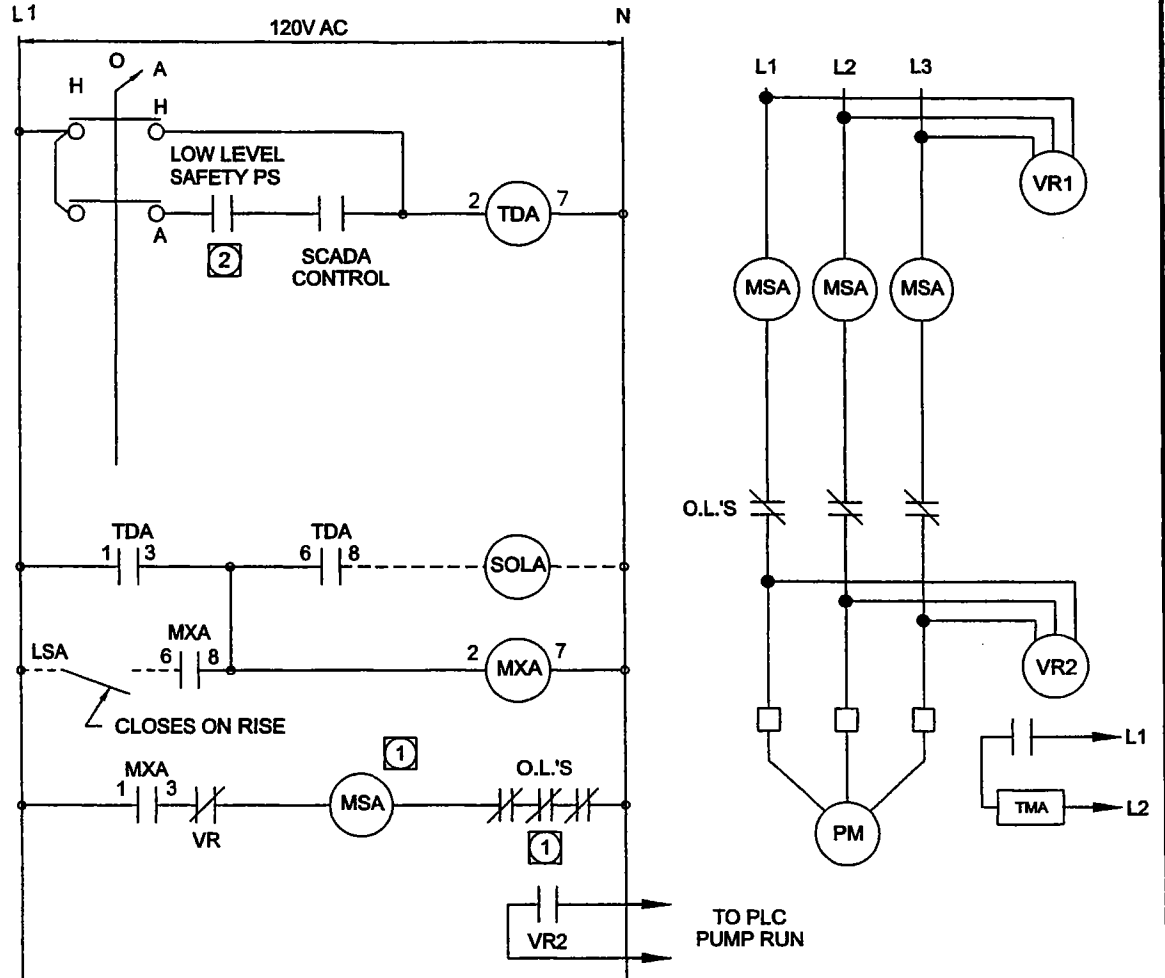


BOOSTER PUMP ELECTRICAL SCHEMATIC

BOOSTER A

(BASIC FOR EACH BOOSTER PUMP)



LEGEND:

- | | | | |
|--|--|------|---------------------------------|
| | 3 PHASES VOLTAGE RELAY, RK ELECTRONICS, PVCL-400-AR, OR APPROVED EQUAL | | |
| | TIME DELAY RELAY OCTAL 120 VAC POTTER BROMFIELD 0-180 SEC. | | |
| | GENERAL PURPOSE OCTAL 120 VAC POTTER BROMFIELD KRP11A | | |
| | MAG STARTER | | |
| | TIME METER | HOA | HAND - OFF - AUTO |
| | PUMP MOTOR | PLC | PROGRAMMABLE LOGIC CONTROLLER |
| | DEVICES LOCATED IN PUMP STARTER | LSA | LIMIT SWITCH - ON CONTROL VALVE |
| | CONTACT FROM CONTROL PANEL FOR LOW SUCTION PRESSURE OR LOW WATER LEVEL | SOLA | SOLENOID - ON CONTROL VALVE |

GENERAL NOTES:

1. 3 AMMETERS W/SELECTOR SWITCH TO INDIVIDAL BOOSTER
2. VOLTMETER W/SELECTOR SWITCH TO INDIVIDAL PHASE
3. ALL DEVICES LOCATED IN CONTROL SECTION OF MCC UNLESS NOTED OTHERWISE.

LOS ANGELES COUNTY WATERWORKS DISTRICTS

DEPARTMENT OF PUBLIC WORKS

STANDARD PLAN

W-44

APPROVED

Michael Paul
ASSISTANT DEPUTY DIRECTOR

APRIL 2004

DATE

SHEET 1 OF 1