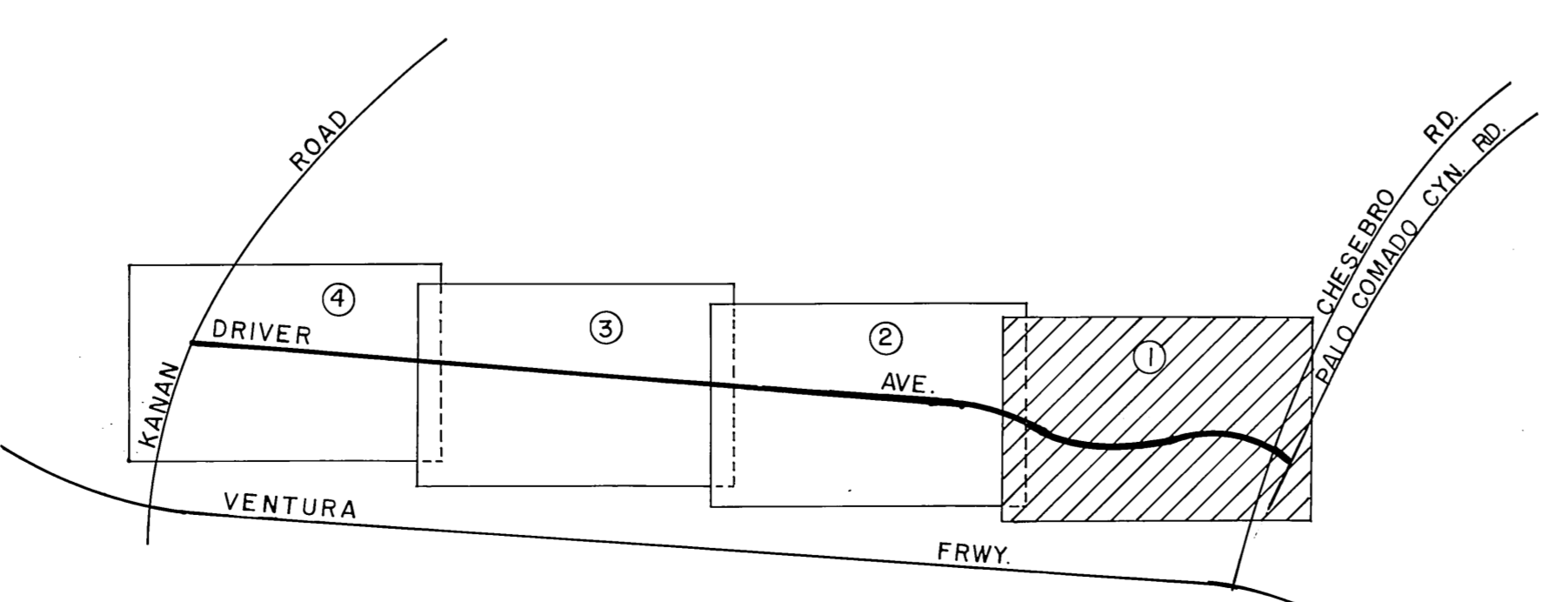


Found spike washer P.O. ST. and in use F.B. 2342-39 and marked L.M. (C.O. ENGR. 6226) F.B. 2342-39

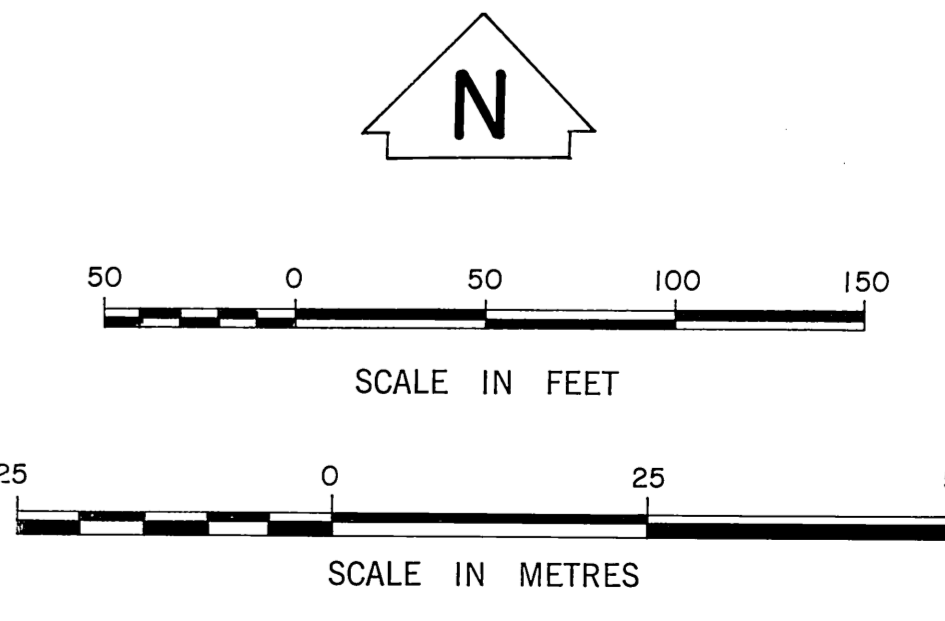
Found large boot spike washer P.O. ST. and in use F.B. 2342-39 and marked L.M. (C.O. ENGR. 6226) F.B. 2342-39

Proposed P.O. ST. and in use F.B. 2342-39 and marked L.M. (C.O. ENGR. 6226) F.B. 2342-39

Found spike washer P.O. ST. and in use F.B. 2342-39 and marked L.M. (C.O. ENGR. 6226) F.B. 2342-39

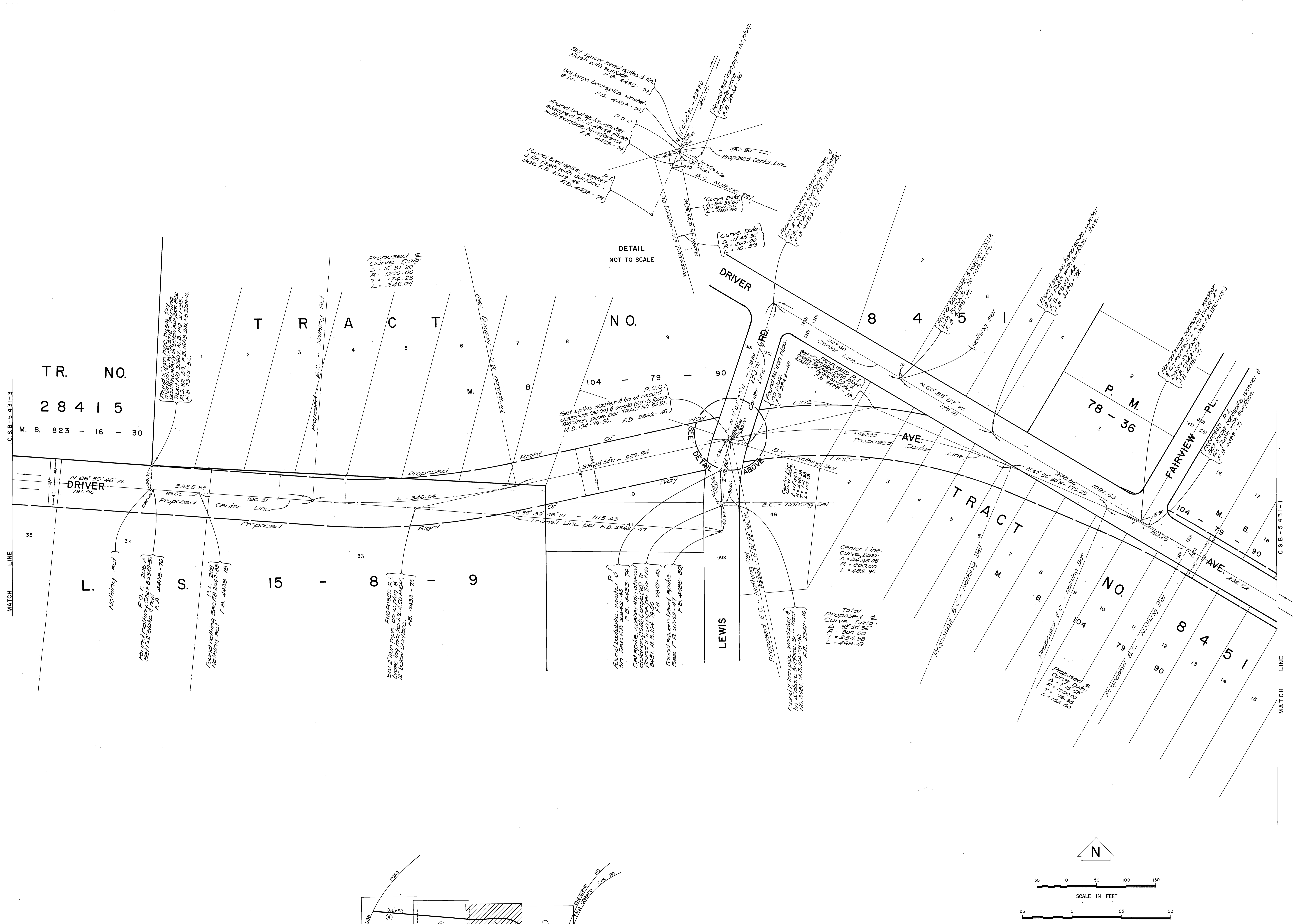


NOTE:  
THIS MAP DELINEATES THE REVISED ALIGNMENT OF DRIVER AVENUE ADOPTED BY THE I. E. C. DATED DEC. 17, 1981, AND SUPERSEDES C. S. B. 5345.



COUNTY OF LOS ANGELES DEPARTMENT OF COUNTY ENGINEER-FACILITIES STEPHEN J. KOONCE-COUNTY ENGINEER PREPARED BY SURVEY DIVISION RICHARD J. MITCHELL-DIVISION ENGINEER SURVEYED BY R. C. DALE CHECKED BY B. GOINS DRAWN BY S. HAQUE	ALIGNMENT MAP OF <b>DRIVER AVENUE</b> FROM <b>PALO COMADO CANYON ROAD</b> TO <b>KANAN ROAD</b>		COUNTY SURVEYOR'S MAP NO. <b>B-5431</b> SHEET 1 OF 4 SHEETS FILED: February 24, 1982 B. J. Mitchell DEPUTY SURVEYOR MARCH 1982 REFERENCE F.B. 2342 F.B. 4435	REVISION NO. BY DATE
	THE CENTERLINE OF DRIVER AVE (N.55°35'36"W.) AS SHOWN ON C.S.B-5014-3.			JOB NUMBER 0206.56 INDEX MAP NO. 159-057
	BASIS OF BEARINGS			
	CONTINUED FROM C.S.B-5014-3 (217.54)			

C.S.B.-5431-5

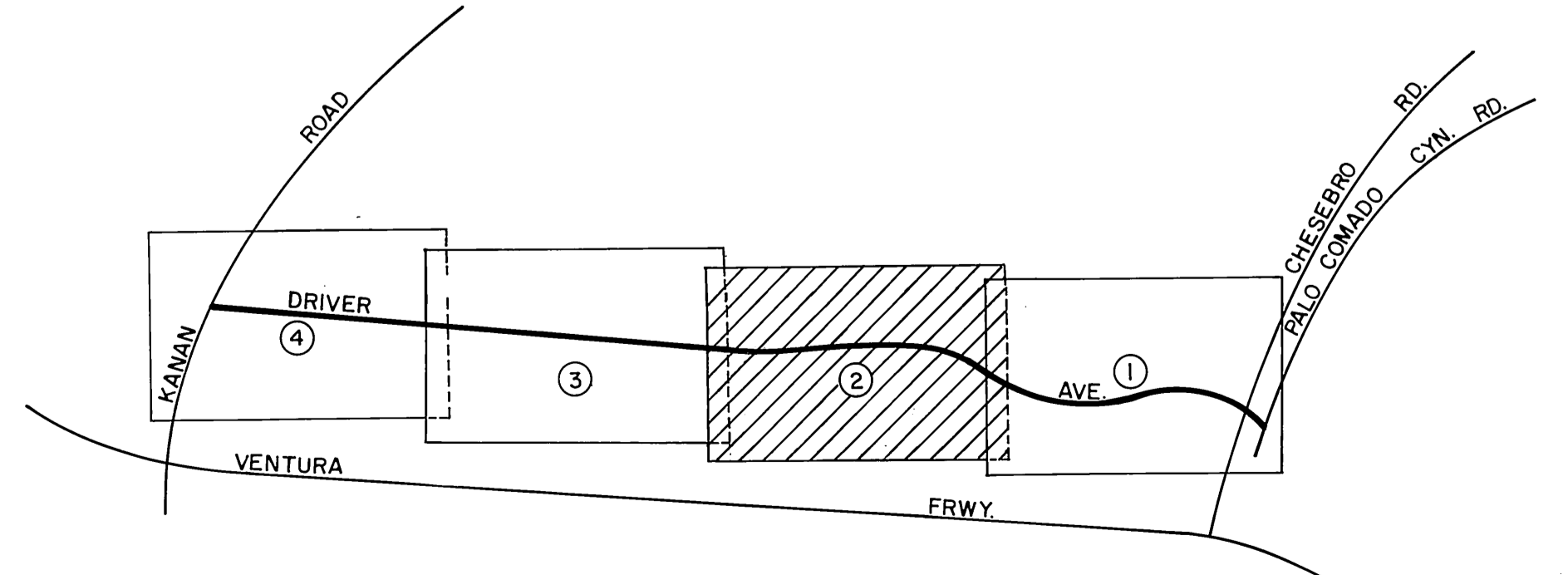


C.S.B.-5431-3

MATCH LINE

C.S.B.-5431-1

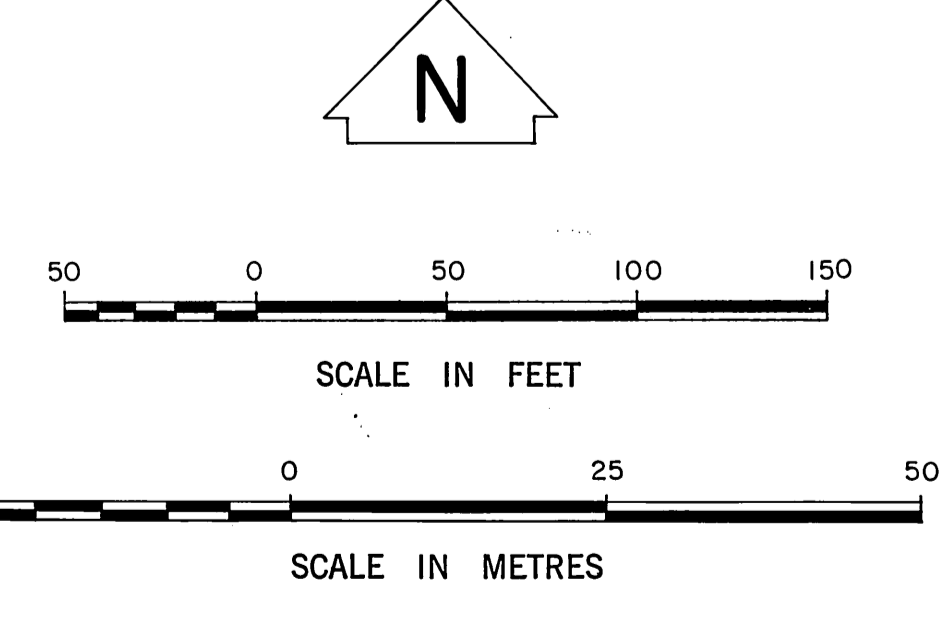
MATCH LINE



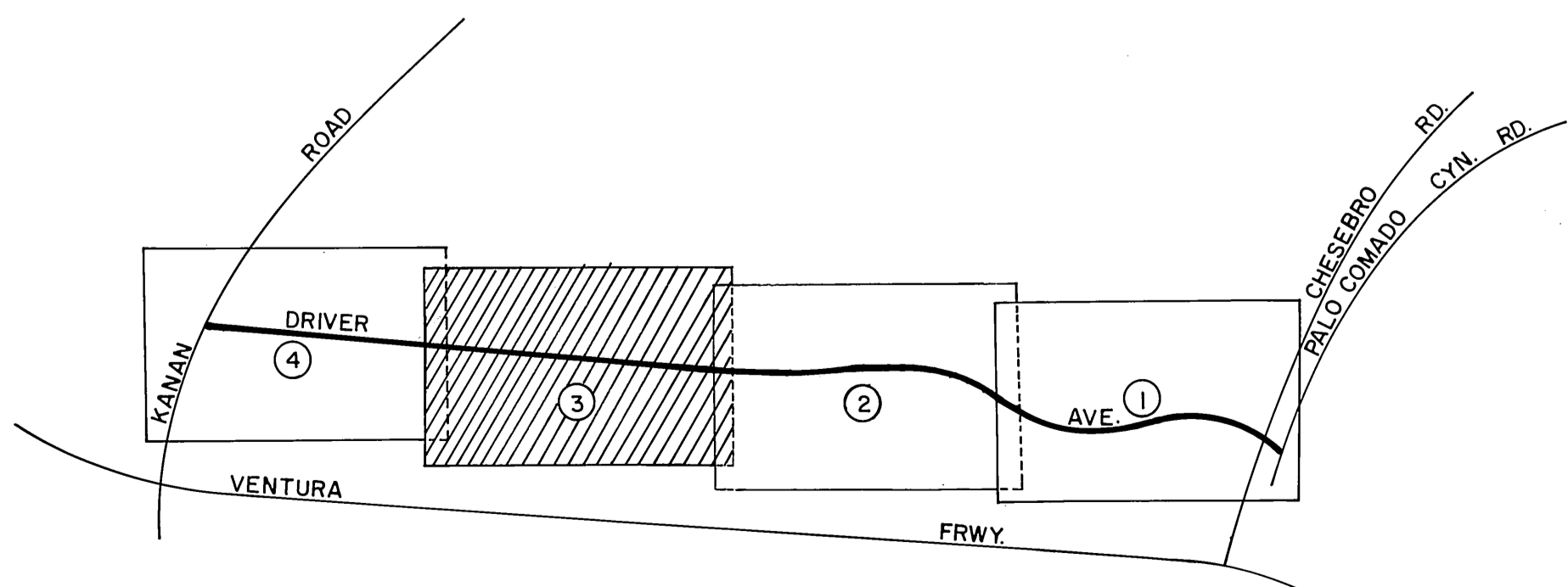
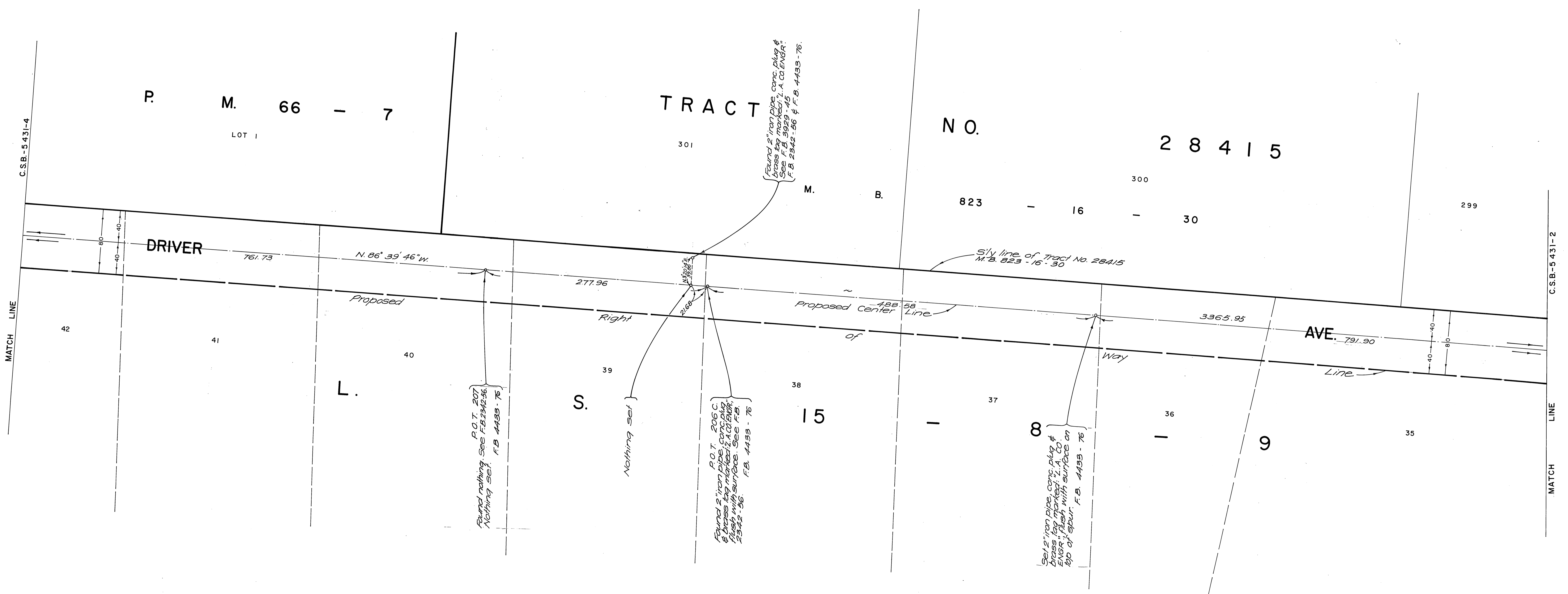
INDEX MAP NOT TO SCALE

DETAIL NOT TO SCALE

NOTE:  
 THIS MAP DELINEATES THE REVISED ALIGNMENT  
 OF DRIVER AVENUE ADOPTED BY THE I. E. C.  
 DATED DEC. 17, 1981, AND SUPERSEDES C. S. B.-  
 5345.

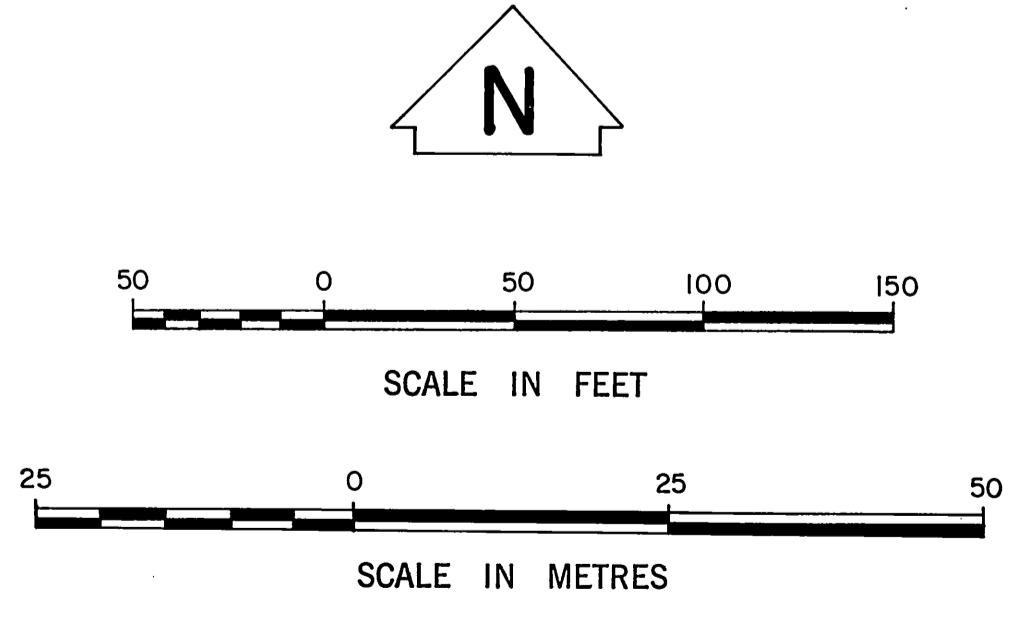


COUNTY OF LOS ANGELES DEPARTMENT OF COUNTY ENGINEER-FACILITIES STEPHEN J. KOONCE-COUNTY ENGINEER PREPARED BY SURVEY DIVISION RICHARD J. MITCHELL-DEPUTY COUNTY ENGINEER SURVEYED BY R. C. DALE CHECKED BY B. GOINS DRAWN BY S. HAQUE	ALIGNMENT MAP OF <b>DRIVER AVENUE</b> FROM <b>PALO COMADO CANYON ROAD</b> TO <b>KANAN ROAD</b> BASIS OF BEARINGS THE CENTERLINE OF DRIVER AVE. (N. 5° 35' 36" W.) AS SHOWN ON C.S.B.-5014-3		COUNTY SURVEYOR'S MAP NO. <b>B-5431</b> SHEET 2 OF 4 SHEETS FILED: February 23, 1982 DEPUTY	REVISION NO. BY DATE
	SURVEYED MARCH 1982		REFERENCE F.B. 2342 F.B. 4433	
	JOB NUMBER 1500-14		INDEX MAP NO. 159-057	
	DRAWN BY S. HAQUE			

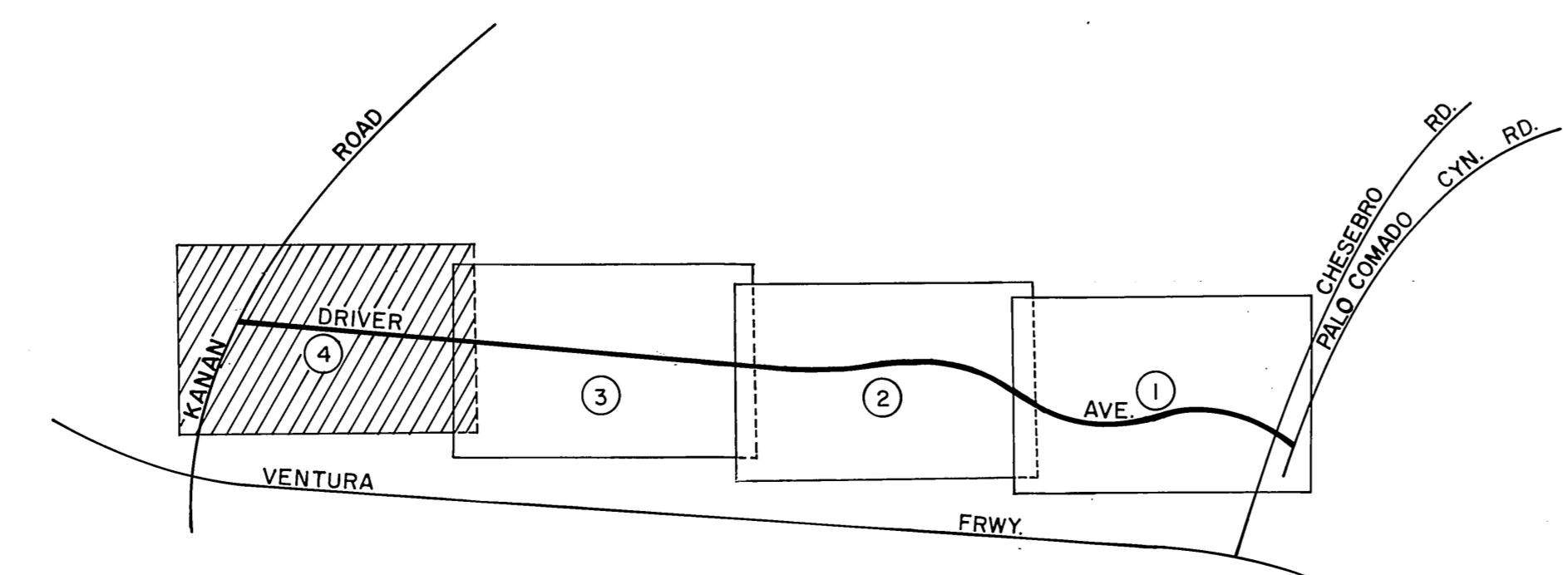
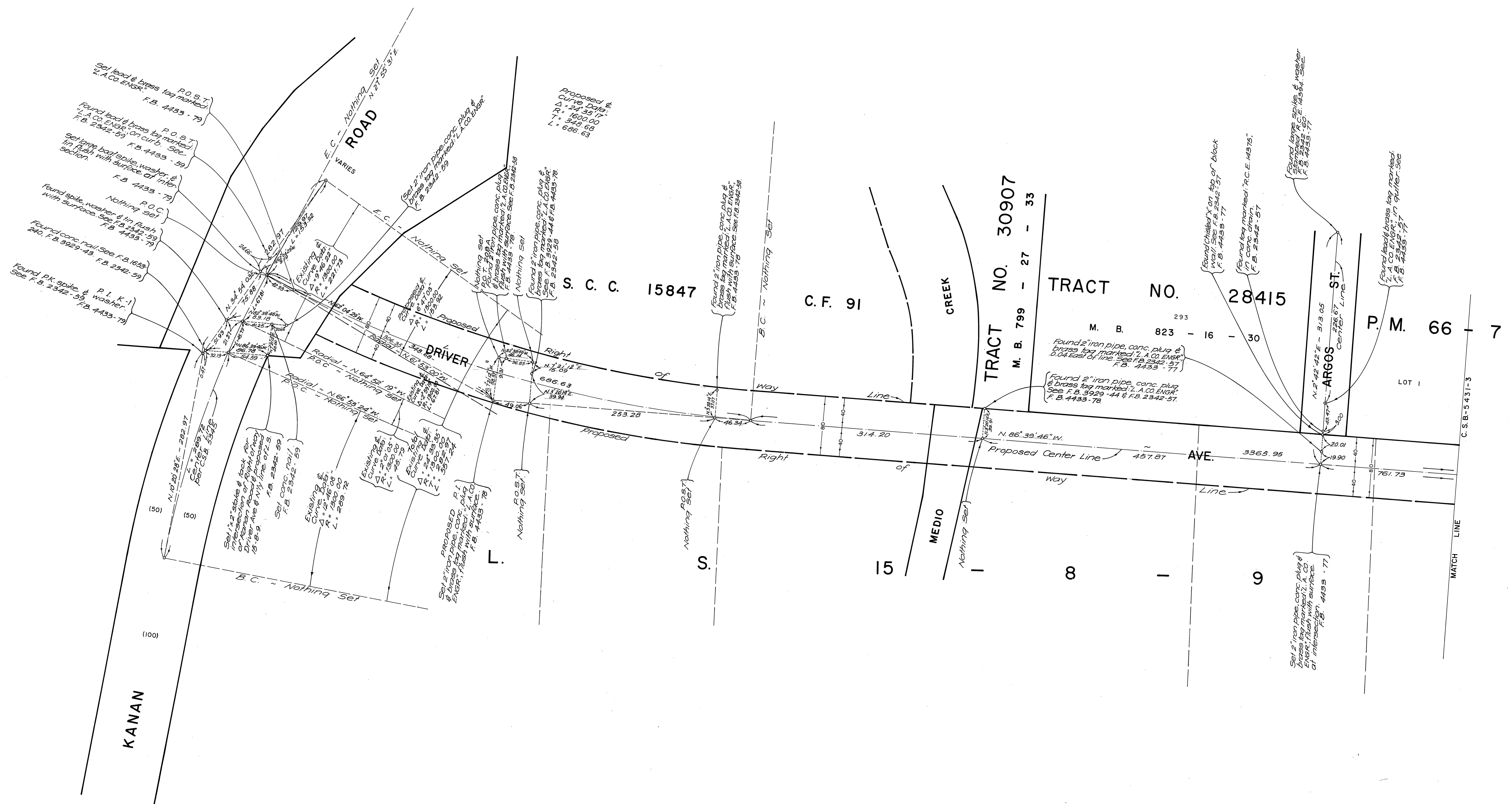


INDEX MAP  
NOT TO SCALE

NOTE:  
THIS MAP DELINEATES THE REVISED ALIGNMENT  
OF DRIVER AVENUE ADOPTED BY THE I. E. C.  
DATED DEC. 17, 1981, AND SUPERSEDES C. S. B.-  
5345.

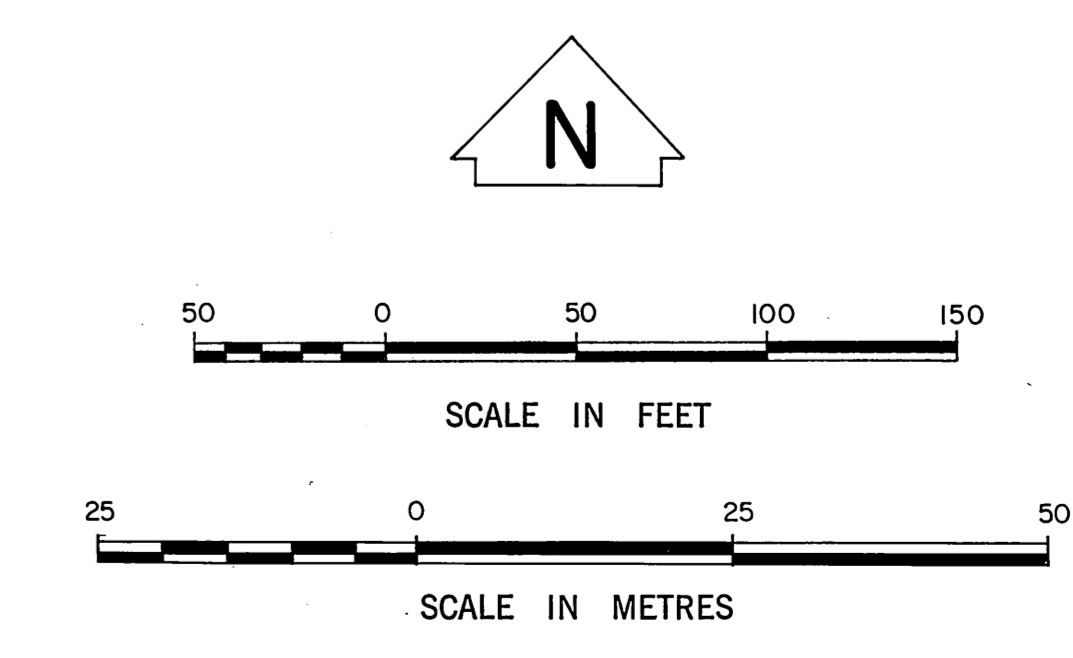


COUNTY OF LOS ANGELES DEPARTMENT OF COUNTY ENGINEER-FACILITIES STEPHEN J. KOONCE-COUNTY ENGINEER PREPARED BY SURVEY DIVISION RICHARD J. MITCHELL-DEPUTY COUNTY ENGINEER SURVEYED BY R. C. DALE CHECKED BY B. GOINS DRAWN BY S. HAQUE	ALIGNMENT MAP OF <b>DRIVER AVENUE</b> FROM <b>PALO COMADO CANYON ROAD</b> TO <b>KANAN ROAD</b>		COUNTY SURVEYOR'S MAP NO. <b>B-5431</b> SHEET 3 OF 4 SHEETS FILED: February 23, 1982 RICHARD J. MITCHELL DEPUTY SURVEYOR MARCH 1982	REVISION NO. BY DATE	
	BASIS OF BEARINGS THE CENTERLINE OF DRIVER AVENUE (N. 55° 35' 36" W.) AS SHOWN ON C.S.B.-5014-3		REFERENCE F.B. 2342 F.B. 4433		
			JOB NUMBER 1500.14	INDEX MAP NO. 159-057	



INDEX MAP  
NOT TO SCALE

NOTE:  
THIS MAP DELINEATES THE REVISED ALIGNMENT  
OF DRIVER AVENUE ADOPTED BY THE I. E. C.  
DATED DEC. 17, 1981, AND SUPERSEDES C. S. B.-  
5345.



COUNTY OF LOS ANGELES DEPARTMENT OF COUNTY ENGINEER-FACILITIES STEPHEN J. KOONCE-COUNTY ENGINEER PREPARED BY SURVEY DIVISION RICHARD MITCHELL-DEPUTY COUNTY ENGINEER SURVEYED BY R. C. DALE CHECKED BY B. GOINS DRAWN BY S. HAQUE	ALIGNMENT MAP OF <b>DRIVER AVENUE</b> FROM <b>PALO COMADO CANYON ROAD</b> TO <b>KANAN ROAD</b> BASIS OF BEARINGS THE CENTERLINE OF DRIVER AVE. (N 55° 35' 36" W.) AS SHOWN ON C.S.B.-5014-3		COUNTY SURVEYOR'S MAP NO. <b>B-5431</b> SHEET 4 OF 4 SHEETS FILED: February 23, 1982 R. J. MITCHELL COUNTY ENGINEER	REVISION NO. BY DATE
	MARCH 1982		REFERENCE F.B. 2342 F.B. 4433	
	JOB NUMBER 1500.14		INDEX MAP NO. 159-057	
	AS SHOWN ON C.S.B.-5014-3			