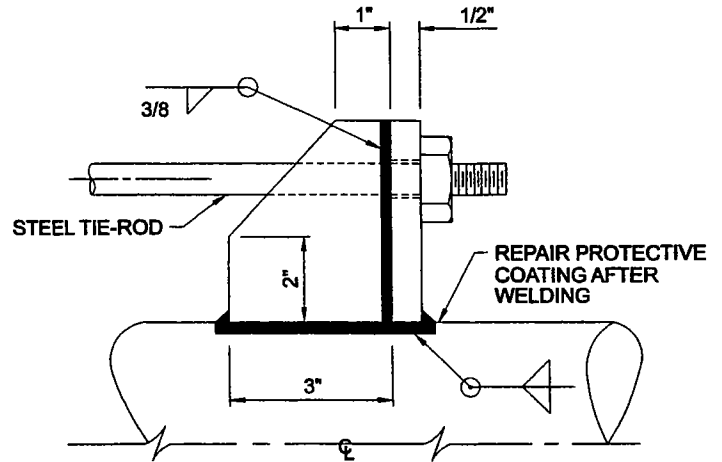
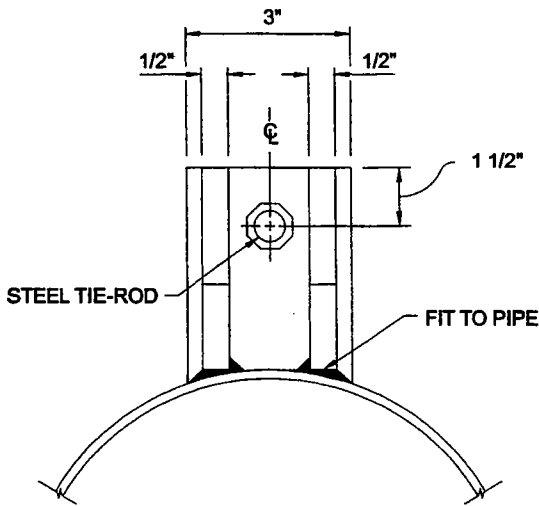
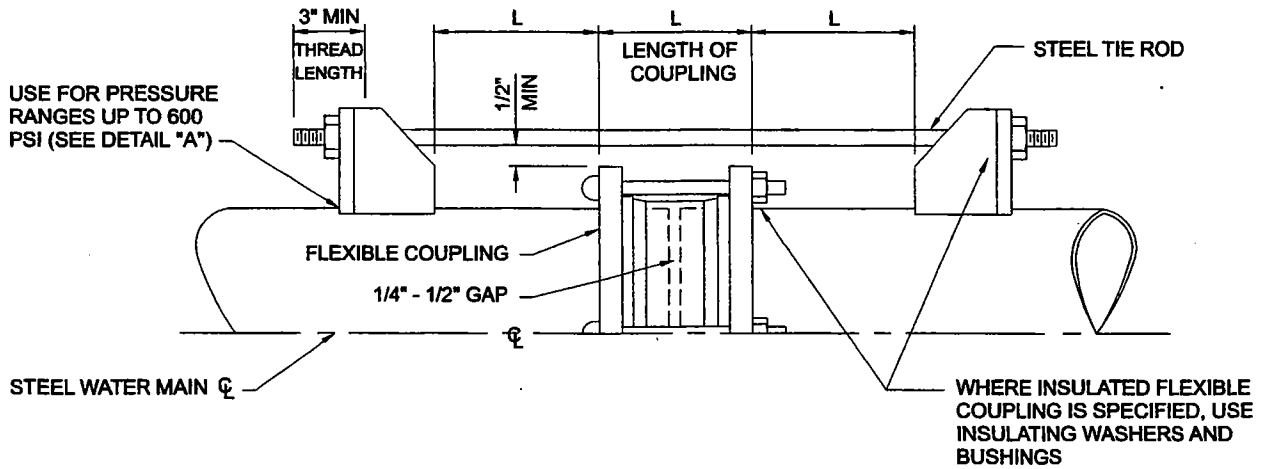


FLEXIBLE COUPLING TIES
(FOR ABOVE GROUND INSTALLATIONS OR IN VAULTS)



DETAIL "A"
NTS

SIZES CALCULATED USING FS=2 AND S=20,000 ALLOWABLE

600 PSI MAX			400 PSI MAX			200 PSI MAX		
PIPE SIZE	TIE RODS NO.	DIA	PIPE SIZE	TIE RODS NO.	DIA	PIPE SIZE	TIE RODS NO.	DIA
4"	2	3/4"	4"	2	5/8"	4"	2	1/2"
6"	3	7/8"	6"	2	7/8"	6"	2	5/8"
8"	4	1"	8"	3	1"	8"	2	7/8"
10"	6	1"	10"	4	1"	10"	2	1"
12"	6	1 1/4"	12"	6	1"	12"	3	1"

LOS ANGELES COUNTY WATERWORKS DISTRICTS

DEPARTMENT OF PUBLIC WORKS

STANDARD PLAN

W-18

APPROVED

M. J. [Signature]
ASSISTANT DEPUTY DIRECTOR

APRIL 2004

DATE

SHEET 1 OF 1