

Map made at request of
 Judge Varrel
 January 1893
 Scale: 1 in. = 3 chs.
 See Note Book 105, pp. 126-128
 See Calculation Book 13, pp. 166-172

1M29

F.M.	1	6	2	2	7
A	1	OF	A	3	

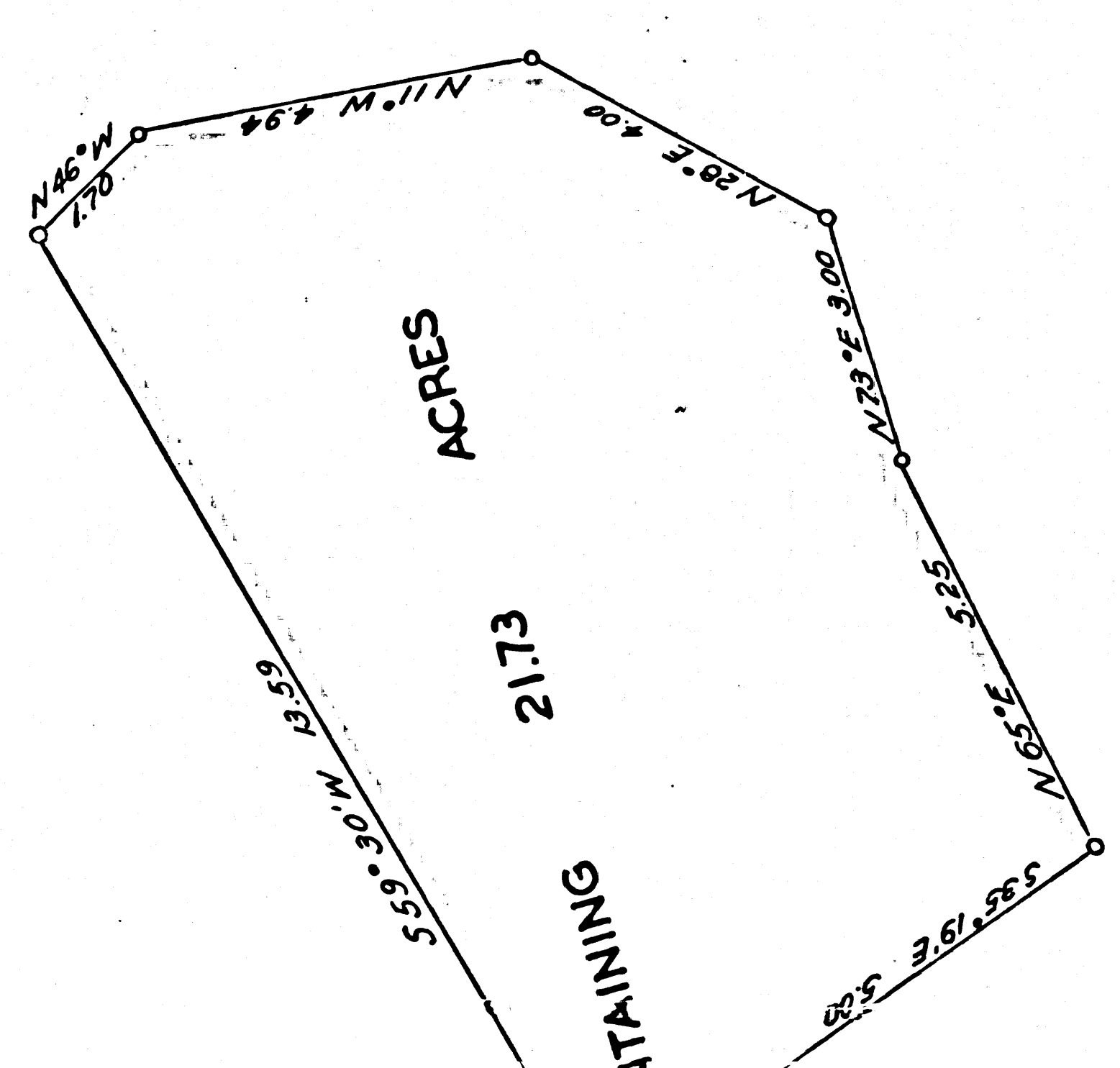
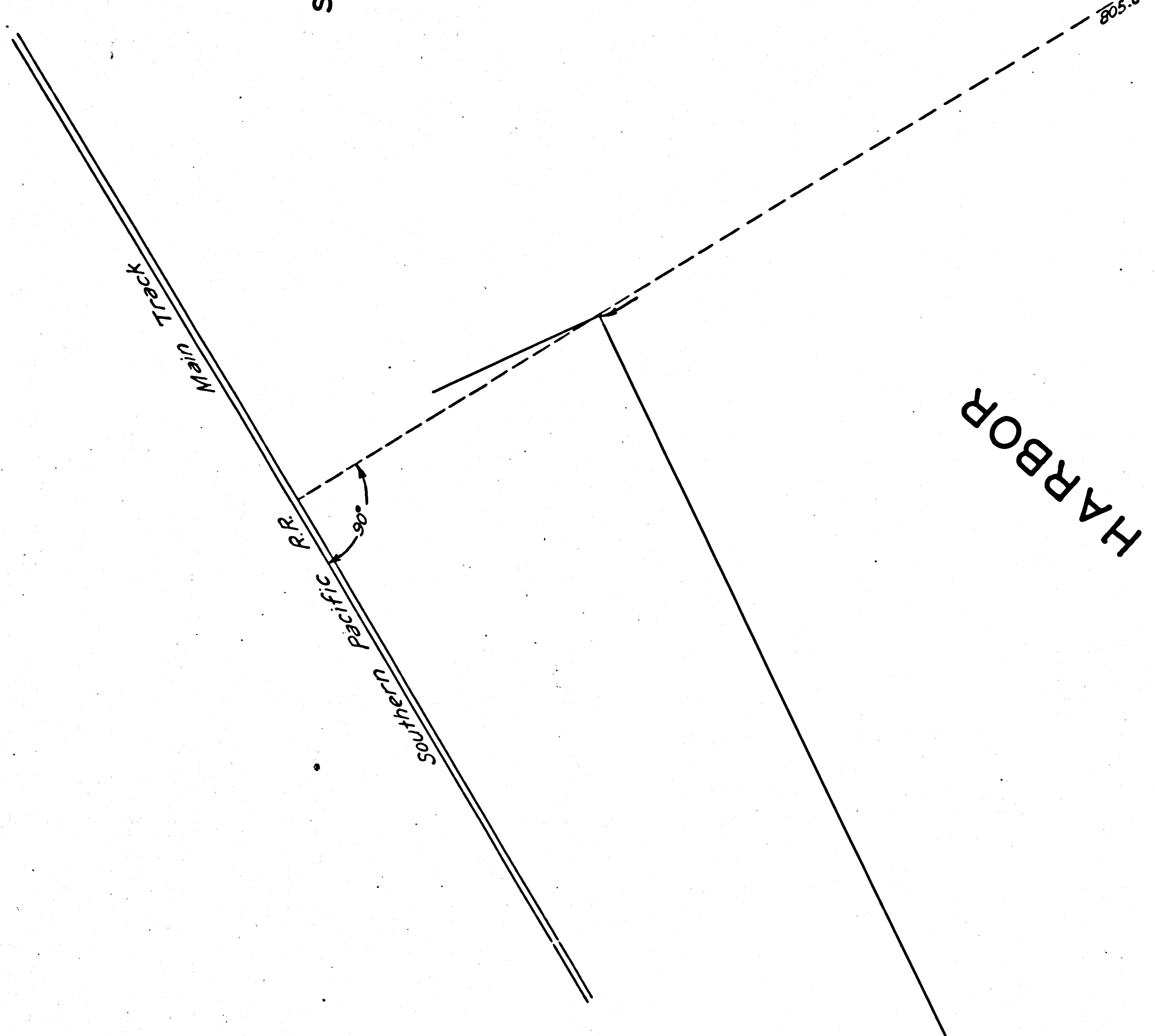
TO ACCO

WHARF

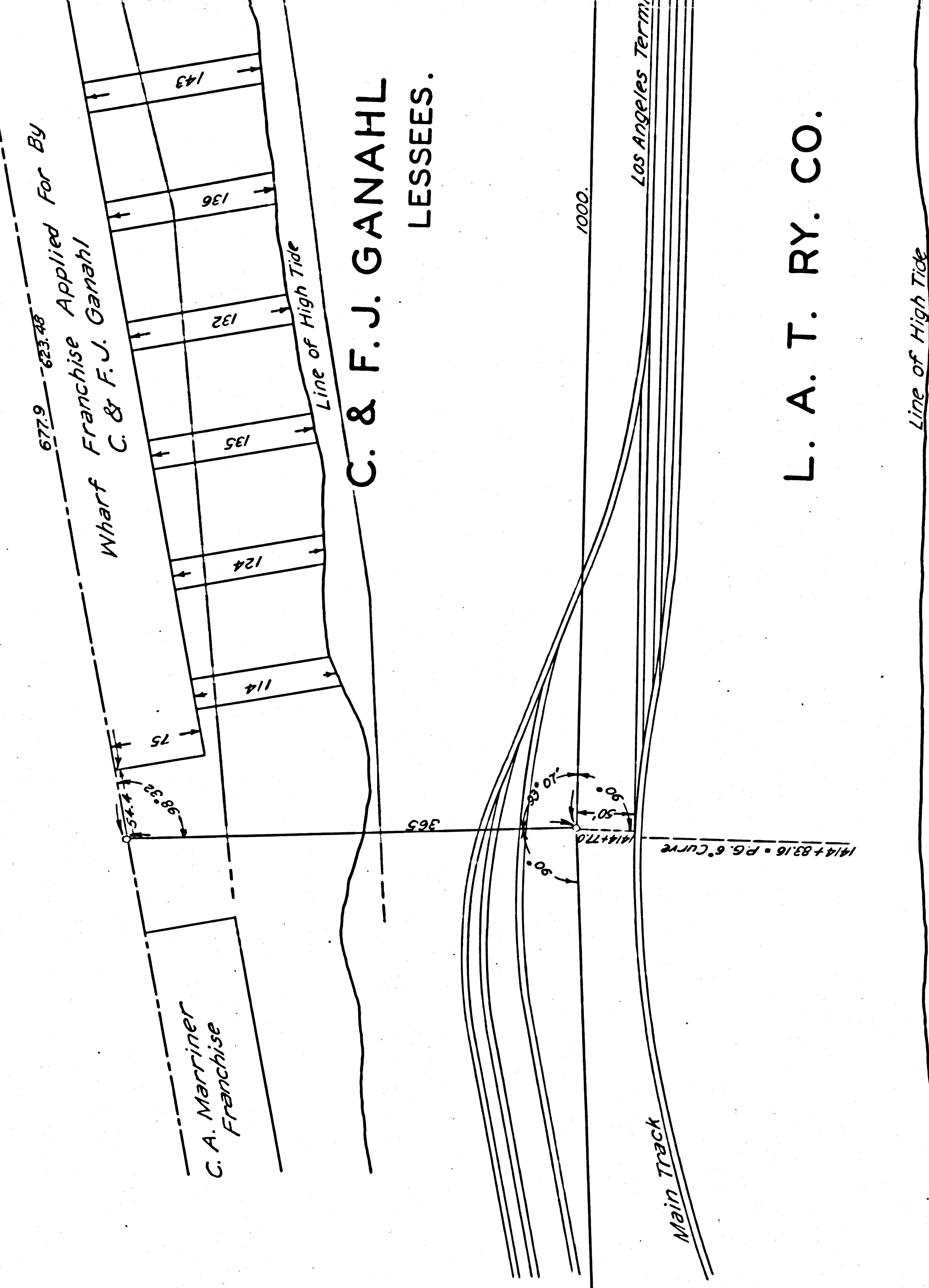
SHOWING GOVERNME

DATE: NOV. 21,

This map rep



INNER HARBOR

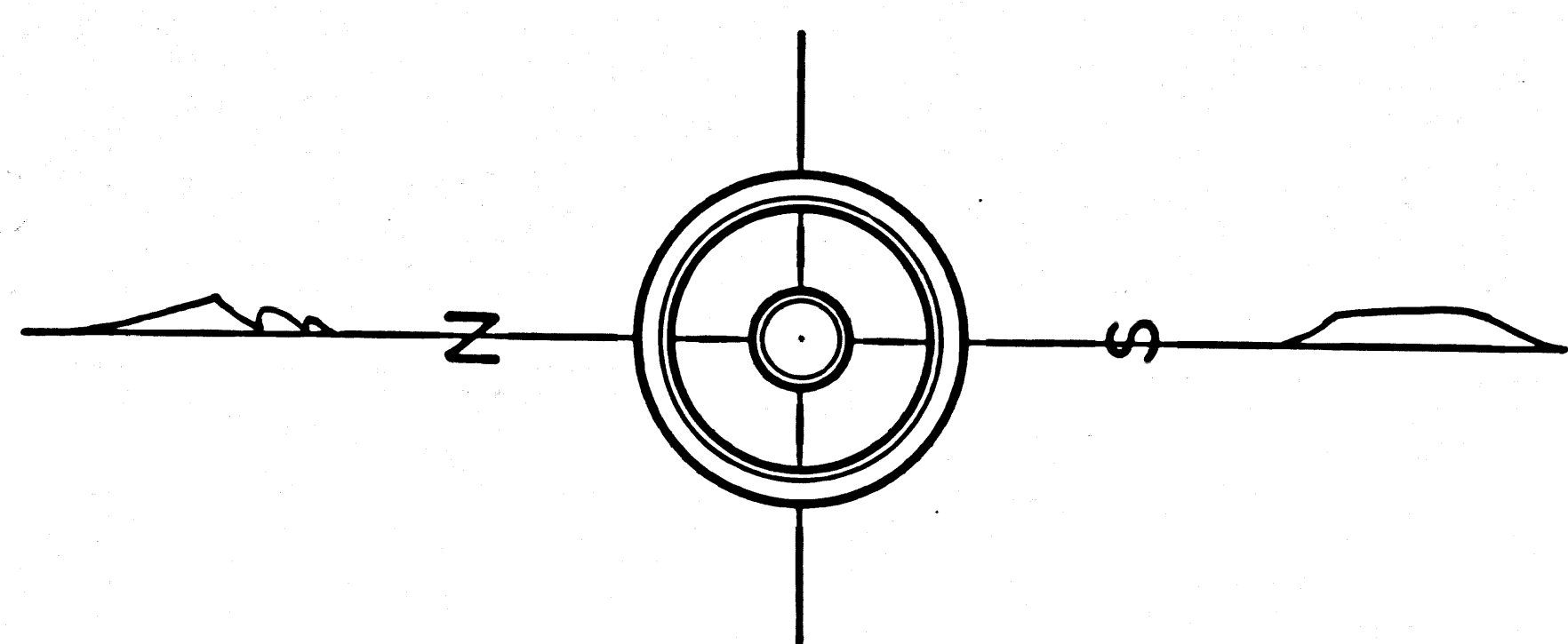


C. & F. J. GANAHL LESSEES.

L. A. T. RY. CO.

PACIFIC

OC



Map made at request of
 Judge Vanier
 3 ch.
 Note Book 105, pp. 126-128
 Calculation Book 13, pp. 166-172

11129

F.M.	1	6	2	2	7
A	2	OF	A	3	

