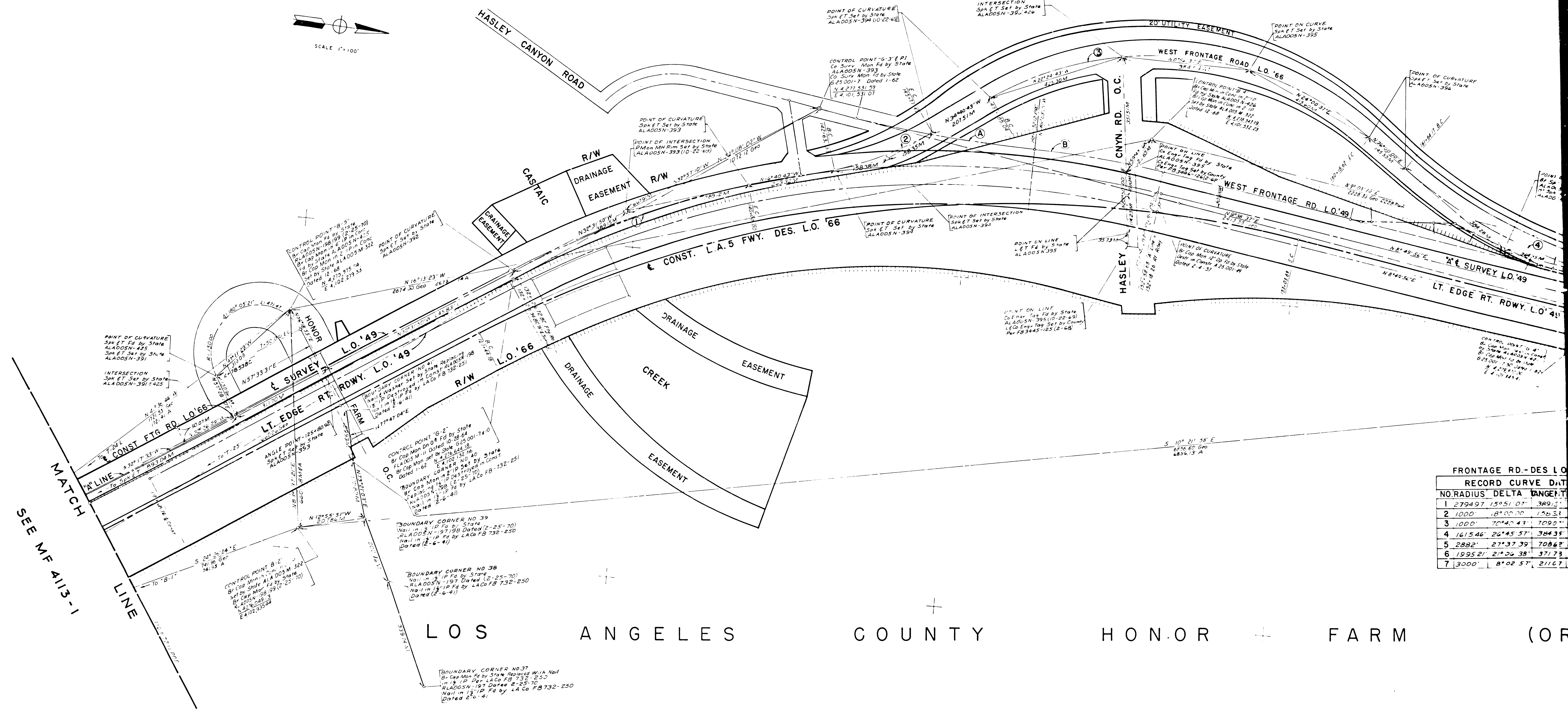
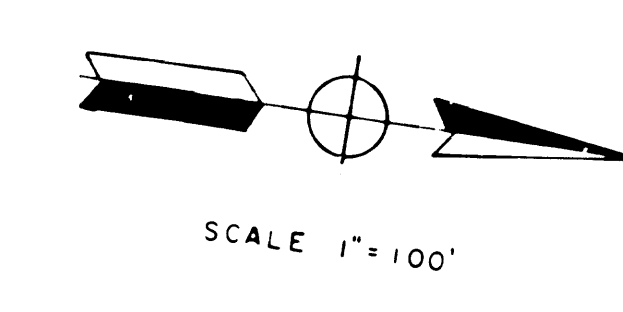


RANCHO SAN FERNANDO
 THE NEWHALL LAND AND FARM

P: 1 - 521 & 522



FRONTAGE RD.-DES L.O.

NO.	RADIUS	DELTA	TANGENT
1	2794.97	159.51 07	389.51
2	1000	18° 00' 00"	156.31
3	1000	70° 40' 43"	700.00
4	1615.46	26° 45' 57"	384.35
5	2882	27° 37' 39"	708.62
6	1995.21	21° 04' 38"	371.73
7	3000	8° 02' 57"	211.67

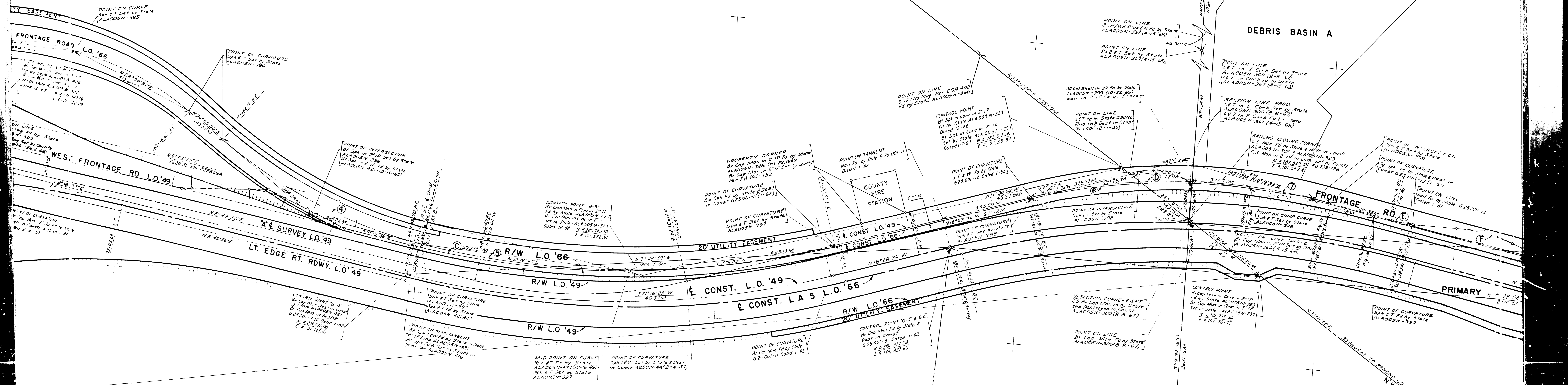
MATCH
 SEE MF 4113-1
 LINE

LOS ANGELES COUNTY HONOR FARM (OR)

F.M. 211173-1
 A1 OF A3

FRANCISCO

AND FARMING CO.



FRONTAGE RD.-DES L.O.'66

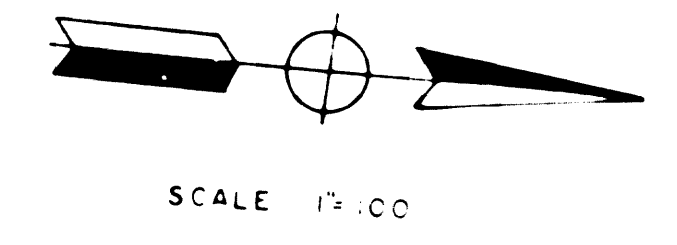
RECORD CURVE DATA			
NO.	RADIUS	DELTA	TANGENT LENGTH
1	2794.97	135°51'07"	389.13
2	1000'	18°00'00"	158.38
3	1000'	70°40'43"	109.07
4	1615.46'	26°45'57"	384.35
5	2882'	27°37'39"	708.62
6	1995.21'	21°06'38"	371.78
7	3000'	8°02'57"	211.07

FRONTAGE RD.-DES L.O.'49

RECORD CURVE DATA			
NO.	RADIUS	DELTA	TANGENT LENGTH
A	4000'	7°33'27"	275.88
B	2865'	7°53'27"	197.60
C	3000'	27°13'30"	726.47
D	2000'	28°43'20"	512.07
E	400'	10°18'31"	36.08
F	500'	21°29'42"	94.91
G	400'	11°11'11"	39.17
H	10000'	0°26'20"	38.30

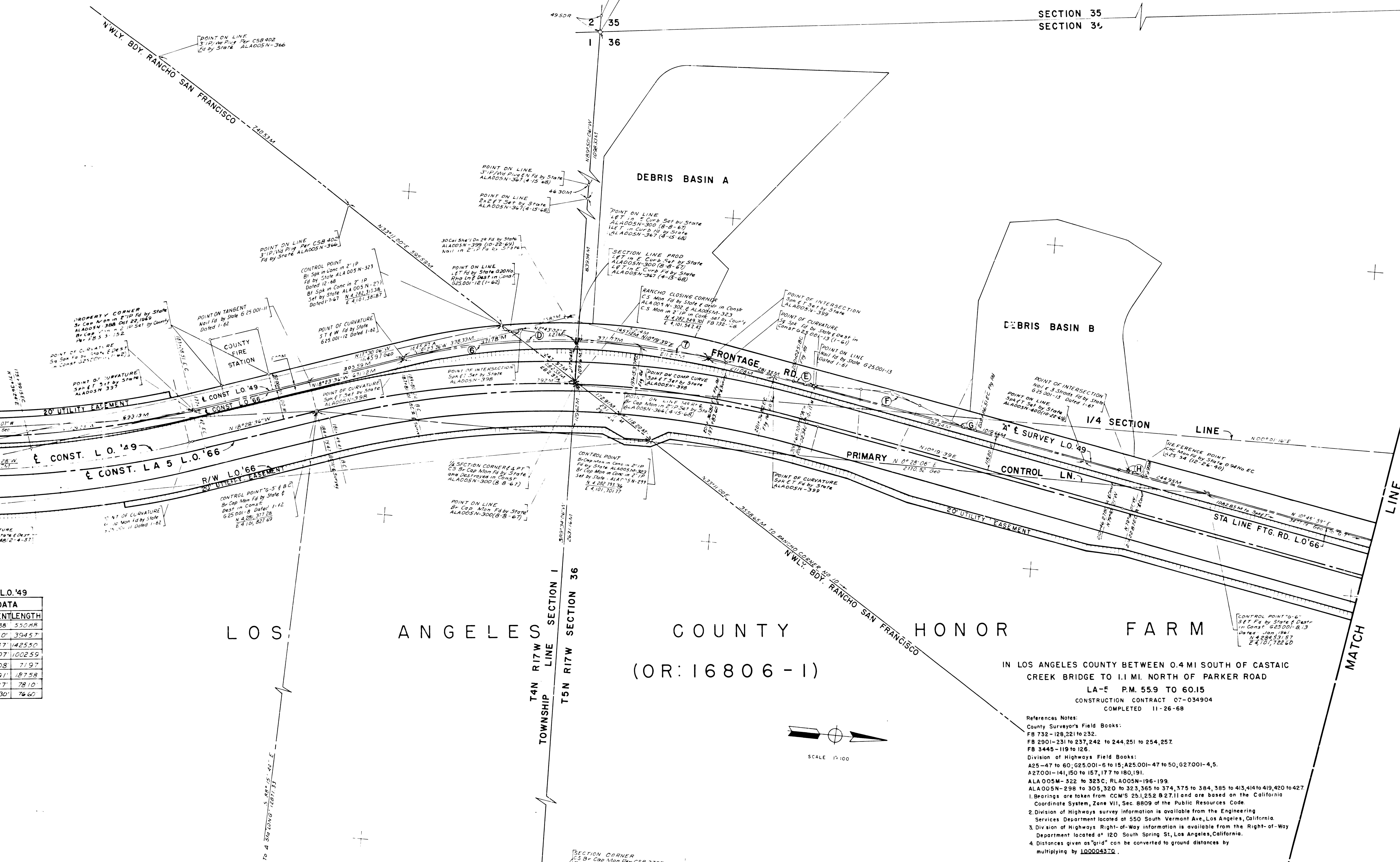
LOS ANGELES COUNTY

(OR: 16806-1)



F.M. 121173-1
A 2 OF A 3

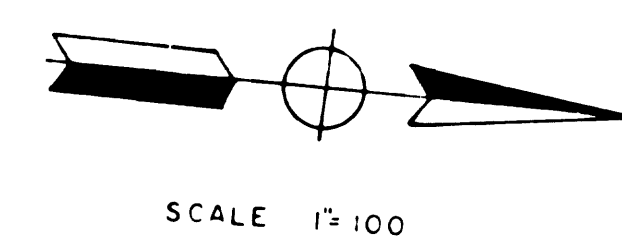
SECTION CORNER
C.S. Br. Cap. Mon. Fe. CS# 2705
Set by State ALA005N-767



L.O.'49	DATA
688	550.88
60	304.57
47	425.50
107	1002.55
108	71.97
91	187.58
17	78.10
30	76.60

LOS ANGELES COUNTY HONOR FARM
 IN LOS ANGELES COUNTY BETWEEN 0.4 MI SOUTH OF CASTAIC
 CREEK BRIDGE TO 1.1 MI. NORTH OF PARKER ROAD
 LA-5 P.M. 55.9 TO 60.15
 CONSTRUCTION CONTRACT 07-034904
 COMPLETED 11-26-68

- References Notes:
- County Surveyors' Field Books:
 FB 732-128, 221 to 232.
 FB 2901-231 to 237, 242 to 244, 251 to 254, 257.
 FB 3445-119 to 126.
 - Division of Highways Field Books:
 A25-47 to 60; G25,001-6 to 15; A25,001-47 to 50; G27,001-4, 5.
 A27,001-141, 150 to 157, 177 to 180, 191.
 ALA 005M-322 to 323 C, RL A005M-196-199.
 ALA 005N-298 to 305, 320 to 323, 365 to 374, 375 to 384, 385 to 413, 414 to 419, 420 to 427.
 - Bearings are taken from CCM'S 251, 252 & 271 and are based on the California Coordinate System, Zone VII, Sec. 8809 of the Public Resources Code.
 - Division of Highways survey information is available from the Engineering Services Department located at 550 South Vermont Ave., Los Angeles, California.
 - Division of Highways Right-of-Way information is available from the Right-of-Way Department located at 120 South Spring St., Los Angeles, California.
 - Distances given as "grid" can be converted to ground distances by multiplying by 1.00004370.



F.M. 121173-11
 A 3 OF A 3

SEE MF 4024-2

Chief of Party	DATE
R. BARRETT	
Designer	
M. YOUNG & K. STROPUS	3/70
Map Scale	
D. NASVIK	3/70
Project Engineer	
W. J. STEELE	3/70
District Survey Engineer	
W. SORLIE	3/70
Approval Recommended By -	
Assistant District Engineer	
K. E. MCKEAN	3/70