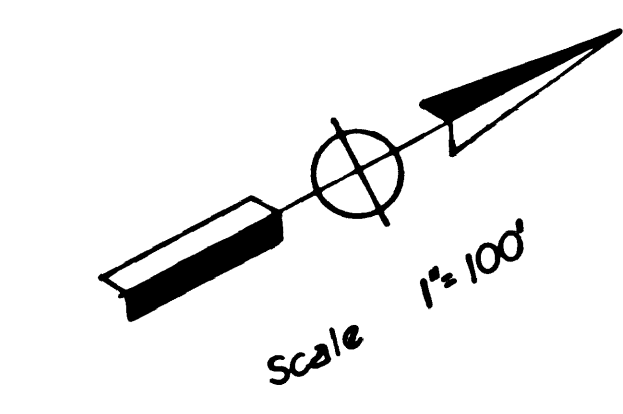


SEE MF 4021-4

MATCH LINE  
SEE MF-4108-2



IN LOS ANGELES COUNTY  
 BETWEEN  
 RTE. 60  
 AND  
 5 MILE NORTH OF TEMPLE

Bearings are based on the California Coordinate System,  
 Zone VII, Section 8809 of the Public Resources Code

Division of Highways survey information is available from  
 Engineering Services Dept., Los Angeles, Cal.

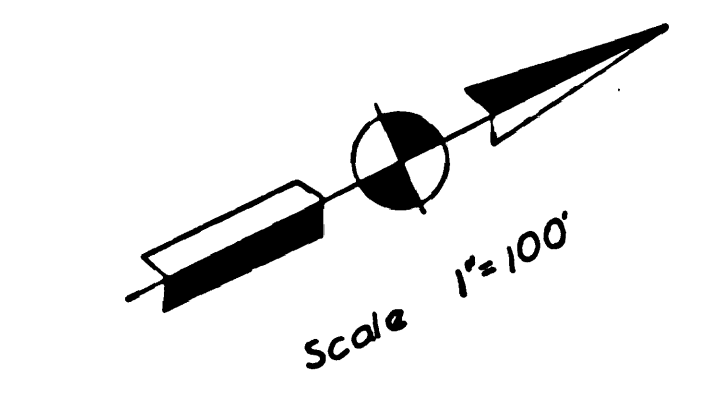
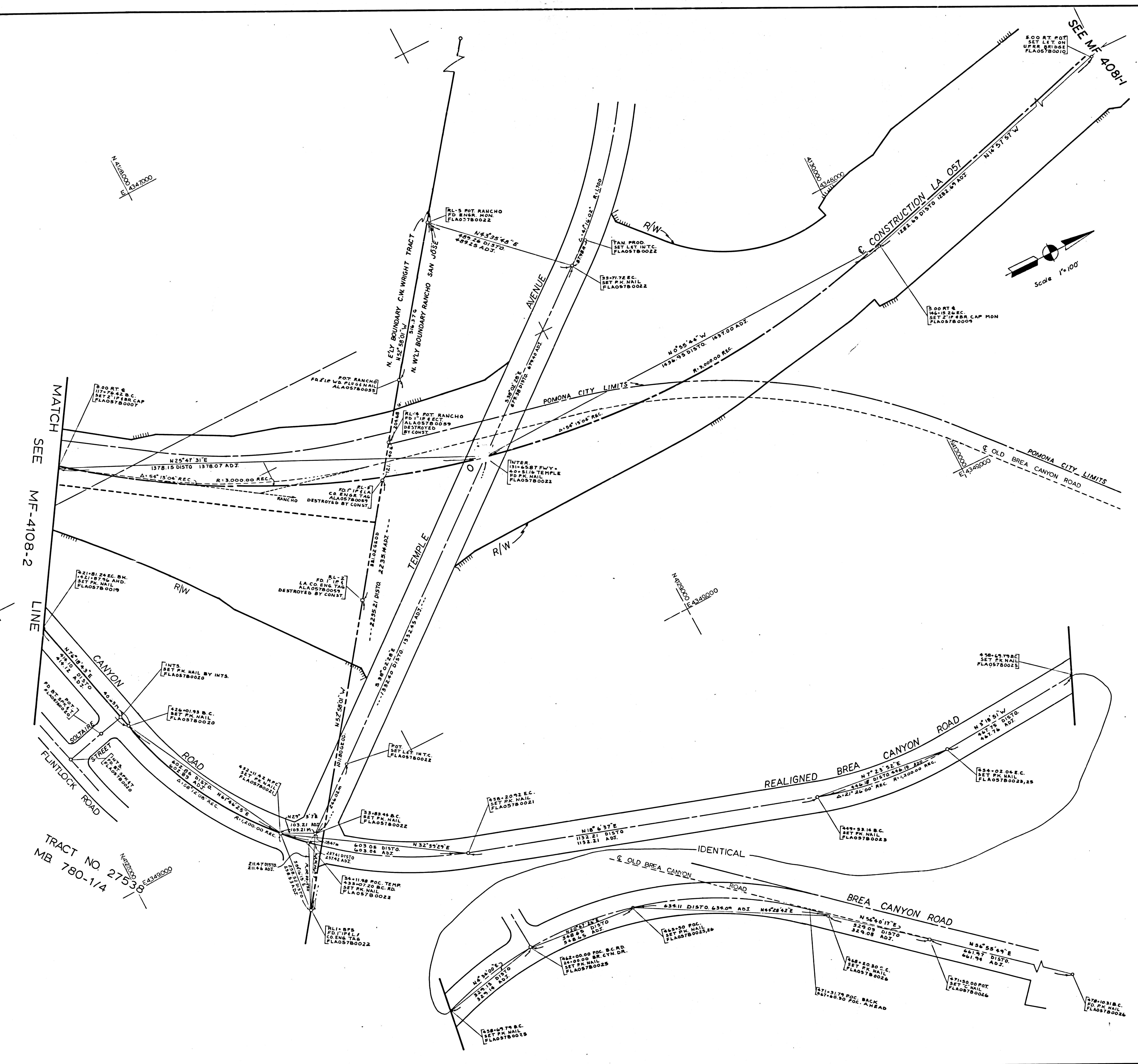
Division of Highways right-of-way information is available from  
 Right of Way Department, Los Angeles, California

Reference Notes  
 Division of Highways Field Books  
 FLA057B001-26  
 ALA057B 45-70, B2, B3  
 CCM 5525, 554, 555

LOS ANGELES CO. FILE NO. FM 21278-1

NOTE !!!  
 STA'S ARE FOR REFERENCE ONLY !!!

DISTRICT	COUNTY	ROUTE	POST MILES - TOTAL PROJECT	SHEET NO.	TOTAL SHEETS	DATE OF PLY
07	LA	57	R46/65	1	3	F. LUCHETTA
STATE OF CALIFORNIA DIVISION OF HIGHWAYS						Checked by
MONUMENTATION MAP						R. DUNCAN B. ANDAYA
DATUM: CALIFORNIA COORDINATE SYSTEM - ZONE VII						Project Engineer
MAP NO. MF-4108-1						Directed by
						H. CAMPBELL K. MOORE
						Survey Office Supervisor
						ELI GREENGARD
						District Survey Engineer
6721	W. F. FOND					Date
6729	W. F. FOND					Approved & recommended by
6729	W. F. FOND					Assistant District Engineer
						S. ELICKS



**IN LOS ANGELES COUNTY**

BETWEEN  
RTE. 60  
AND

5 MILE NORTH OF TEMPLE

Bearings are based on the California Coordinate System,  
Zone VII, Section 8809 of the Public Resources Code

Division of Highways survey information is available from  
Engineering Services Dept., Los Angeles, Cal.

Division of Highways right-of-way information is available from  
Right of Way Department, Los Angeles, California

Reference Notes  
Division of Highways Field Books  
FLA057B001-26  
ALA057B 45-70,82,83  
CCM 5525,554,555

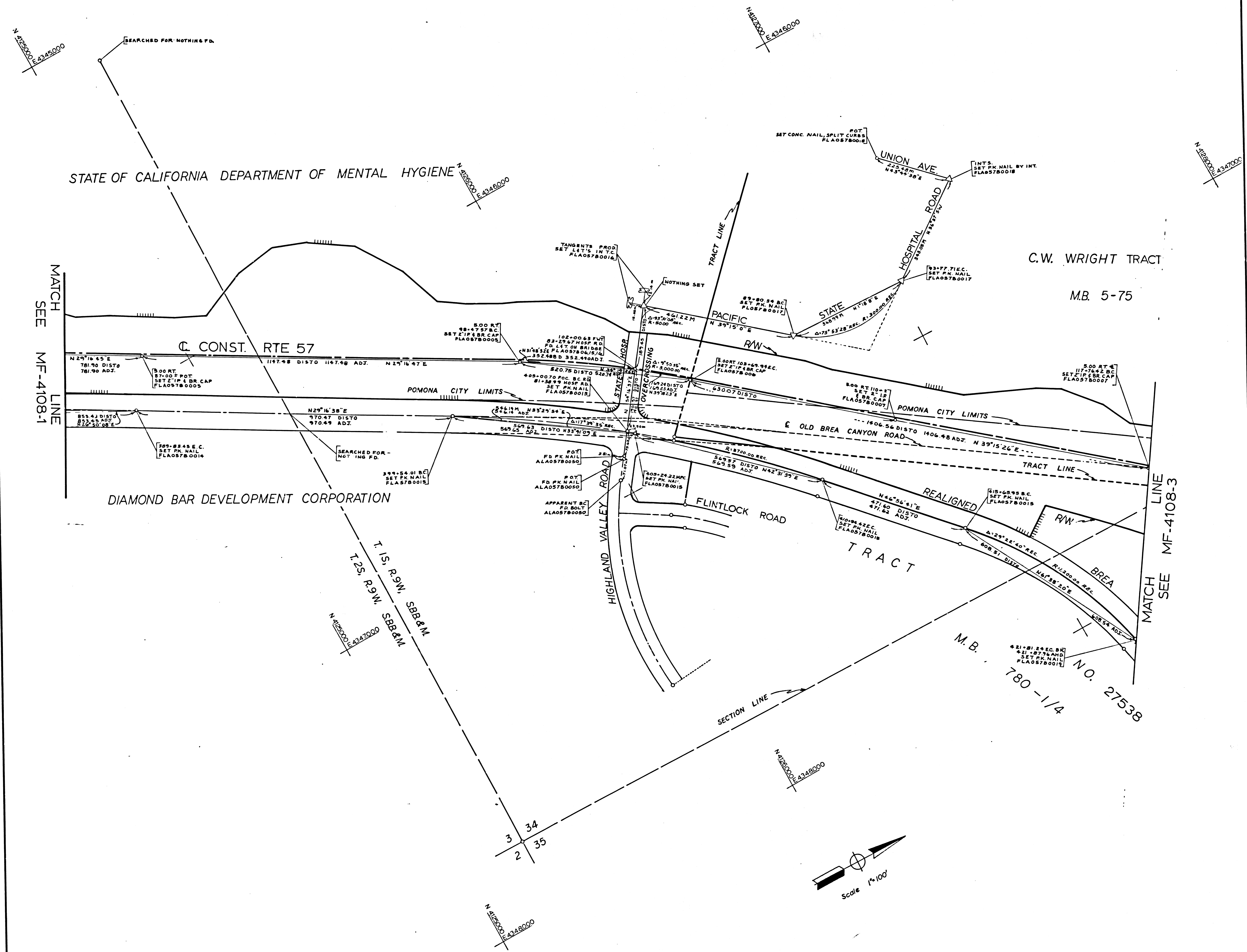
LOS ANGELES CO. FILE NO. FM. 21278-3

NOTE !!!  
STA'S ARE FOR REFERENCE ONLY !!!

DISTRICT	COUNTY	ROUTE	POST MILES - TOTAL PROJECT	SHEET NO.	TOTAL SHEETS	Year of Party
07	LA	57	R46/65	3	3	- F. LUCHETTA
STATE OF CALIFORNIA						Chief of Party
SURVEYS						Project Engineer
DIVISION OF HIGHWAYS						R. DUNCAN B. ANDAYA
MONUMENTATION MAP						Deputy Engineer
DATUM: CALIFORNIA COORDINATE SYSTEM - ZONE VII						H. CAMPBELL K. MOORE
MAP NO. MF-4108-3						Survey Office Supervisor
6729						ELI GREENGARD
C.E.						District Survey Engineer
6729						F.A. MAAS
Surveyed and						Approved
By						W.F. POND
Date						S. ELICKS

MF 4108-3  
FM 21278-3

F.M. 21278-3



**IN LOS ANGELES COUNTY**

**BETWEEN**  
**RTE. 60**  
**AND**  
**.5 MILE NORTH OF TEMPLE**

Bearings are based on the California Coordinate System,  
 Zone VII, Section 8809 of the Public Resources Code

Division of Highways survey information is available from  
 Engineering Services Dept., Los Angeles, Cal.

Division of Highways right-of-way information is available from  
 Right of Way Department, Los Angeles, California

Reference Notes  
 Division of Highways Field Books  
 FLAO57B001-26  
 ALAO57B 45-70,82,83  
 CCM 5525,554,555

LOS ANGELES CO. FILE NO. FM.21278-2

NOTE !!!  
 STA'S ARE FOR REFERENCE ONLY !!!

DISTRICT	COUNTY	ROUTE	POST MILES - TOTAL PROJECT	SHEET NO.	TOTAL SHEETS	Drawn by
07	LA	57	R46/65	2	3	F. LUCHETTA
STATE OF CALIFORNIA						Checked by
DIVISION OF HIGHWAYS						R. DUNCAN B. ANDAYA
SURVEYS						Project Engineer
MONUMENTATION MAP						H. CAMPBELL MOORE
DATUM: CALIFORNIA COORDINATE SYSTEM - ZONE VII						Survey Office Supervisor
MAP NO. MF-4108-2						ELI GREENGARD
						District Survey Engineer
6729 W.F. Pond						FA. MAAS
C.E. 6729						Approved & Recommended by
S. W.F. POND						District Engineer
						S. ELICKS

MF 4108-5  
 RW 5188-5

FM. 21278-2