

Elevations along the top boundary: E143,000, M222,000, E142,000, M223,000, E141,000, M224,000

Elevations along the left boundary: E142,000, M222,000, E143,000

Elevations along the left boundary: E142,000, M223,000

Elevations along the left boundary: M223,000, E143,000

Elevations along the bottom boundary: M222,000, E144,000

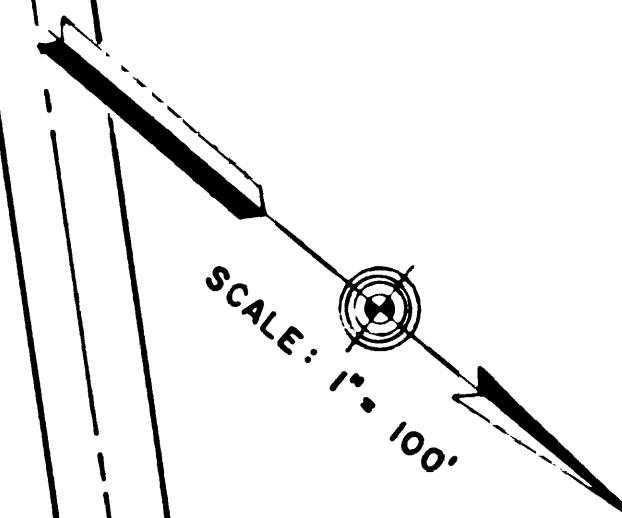
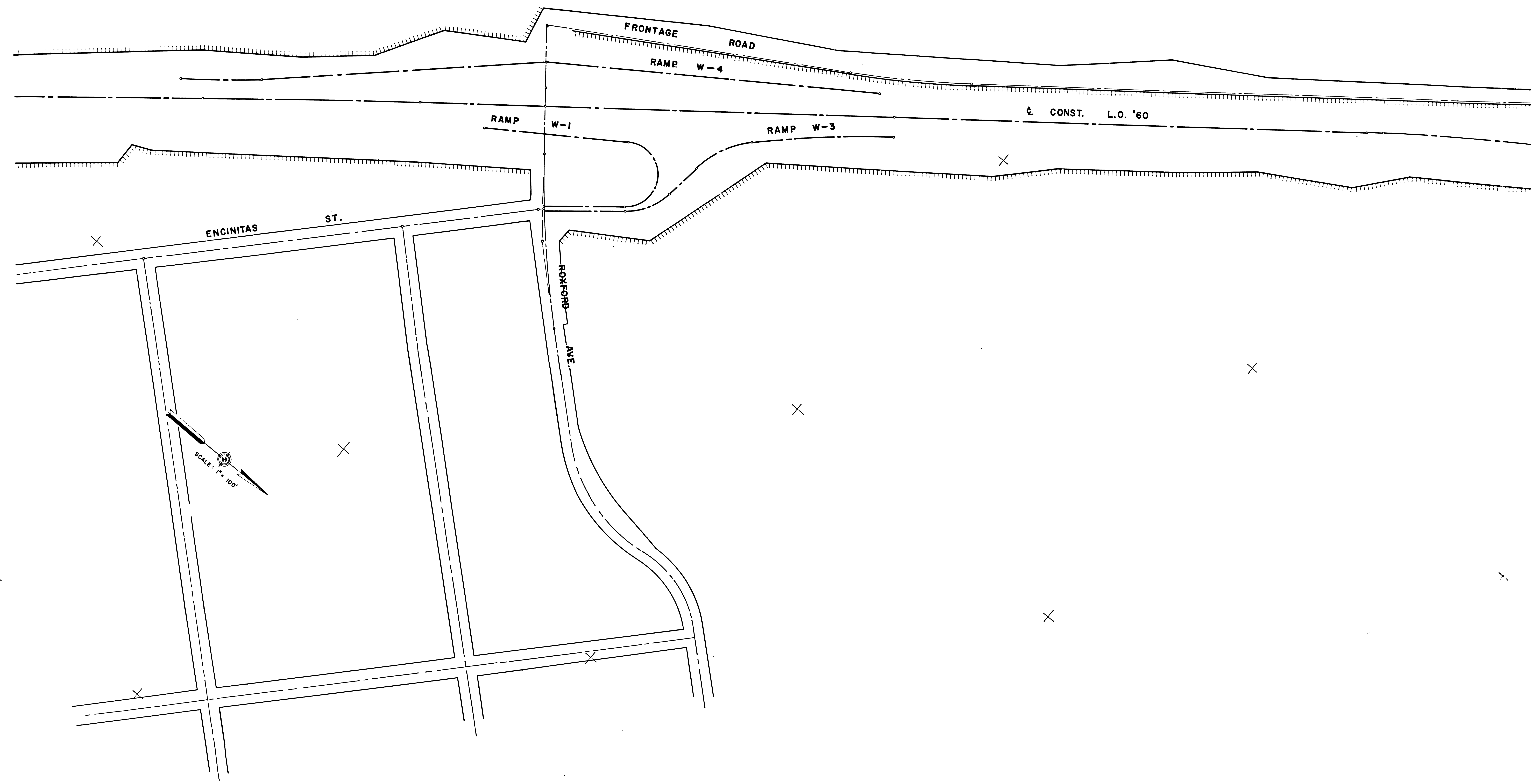
Elevations along the bottom boundary: E144,000, M223,000

Elevations along the bottom boundary: M223,000, E144,000

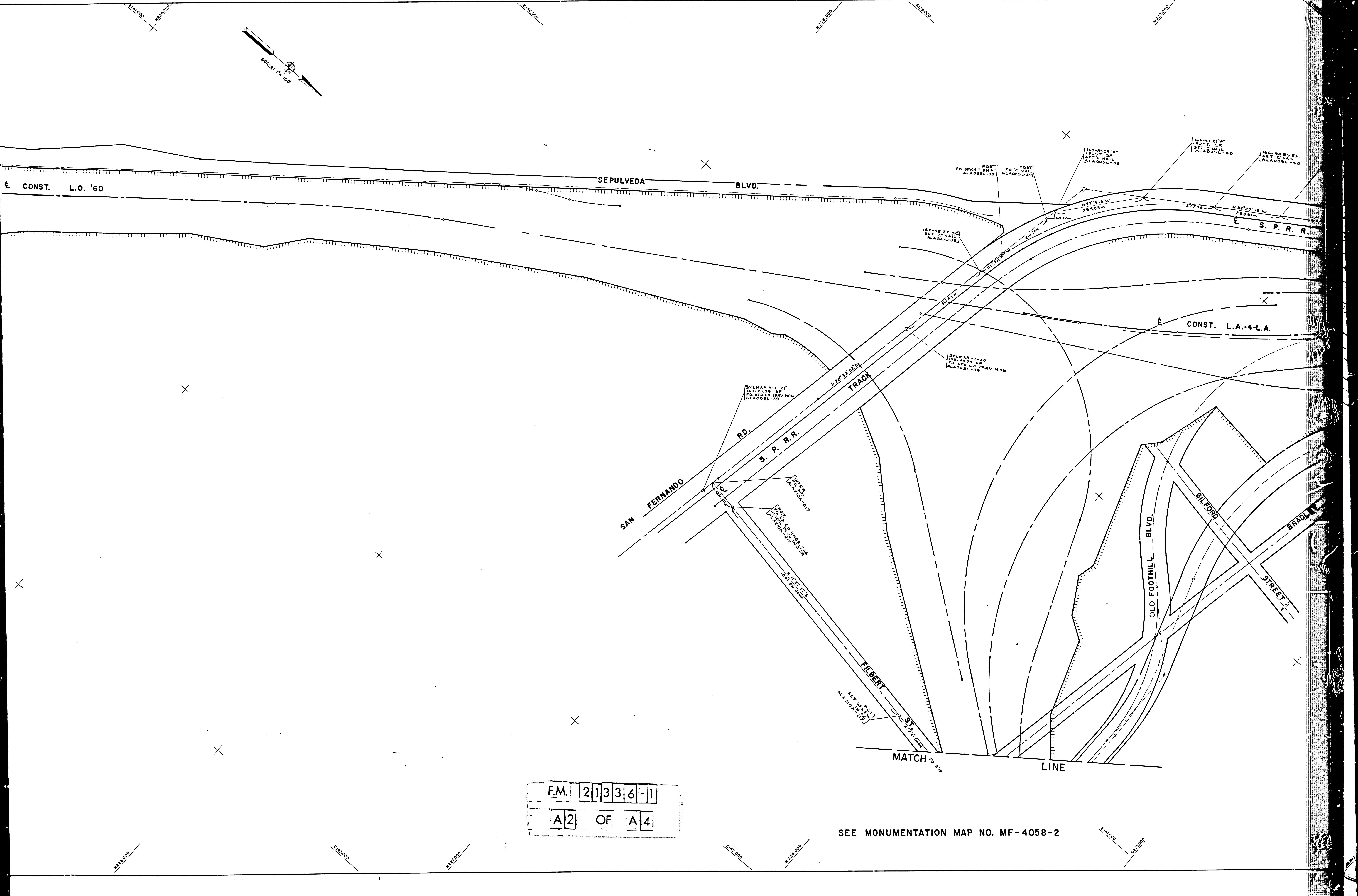
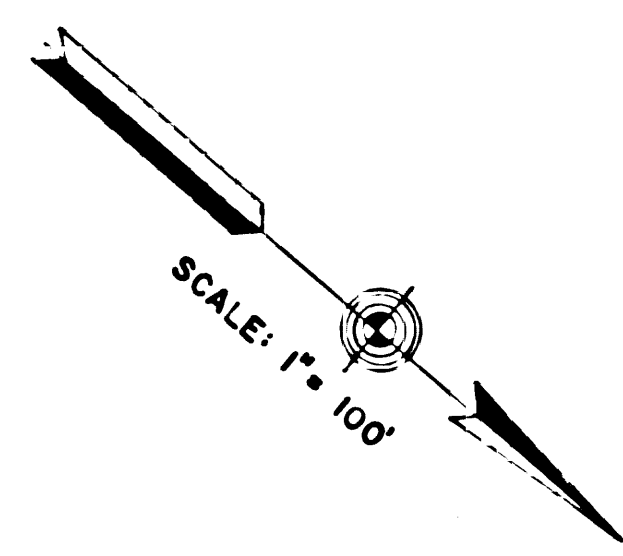
Elevations along the bottom boundary: E144,000, M224,000

Elevations along the bottom boundary: M225,000, E145,000

Elevations along the bottom boundary: E145,000

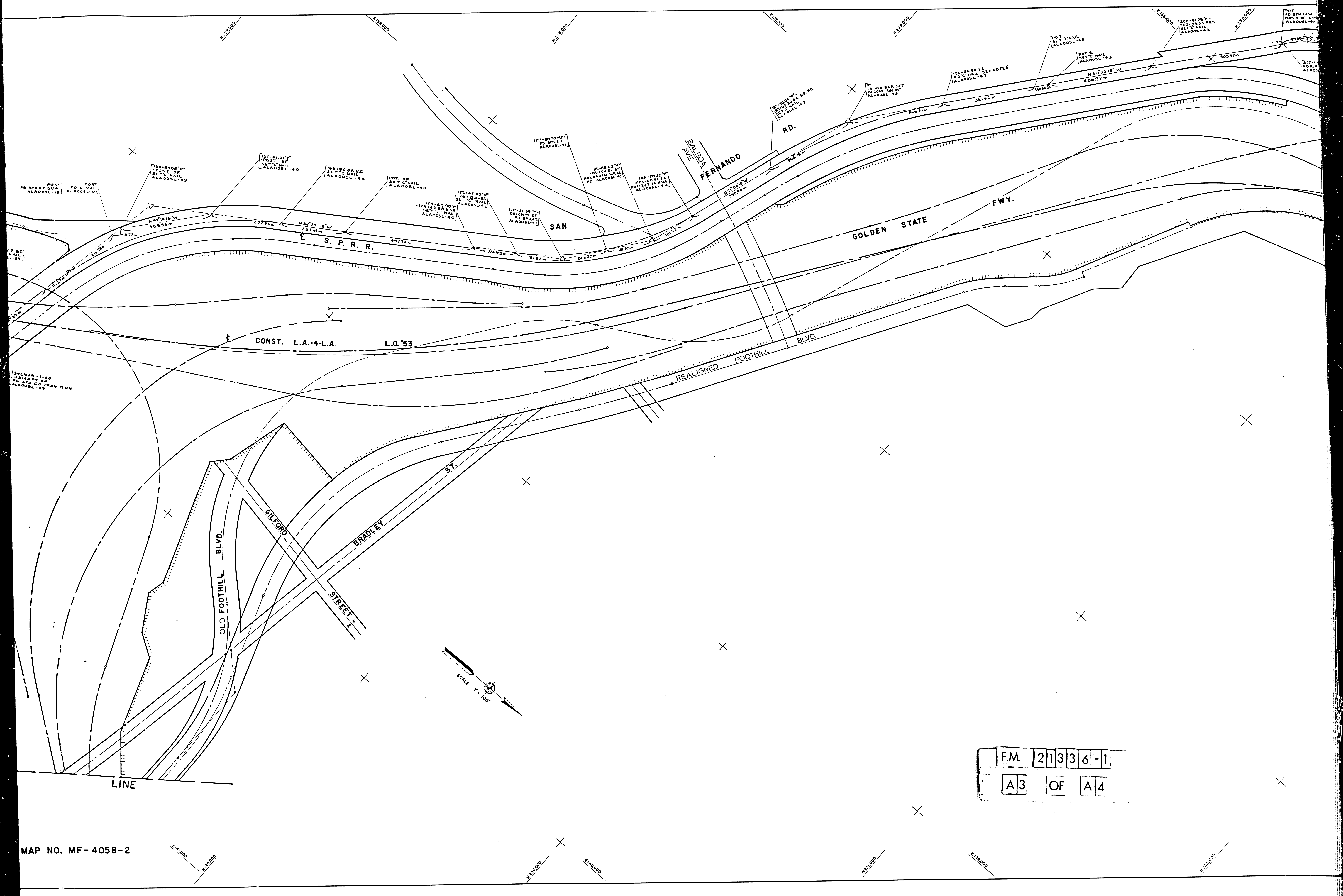


F.M. 21336-1
A1 OF A4



F.M. 21336-1
A2 OF A4

SEE MONUMENTATION MAP NO. MF-4058-2



MAP NO. MF-4058-2

F.M.	21336-1	
A3	OF	A4

MEASUREMENTS MADE PRIOR TO
FEB 9, 1971
EARTHQUAKE

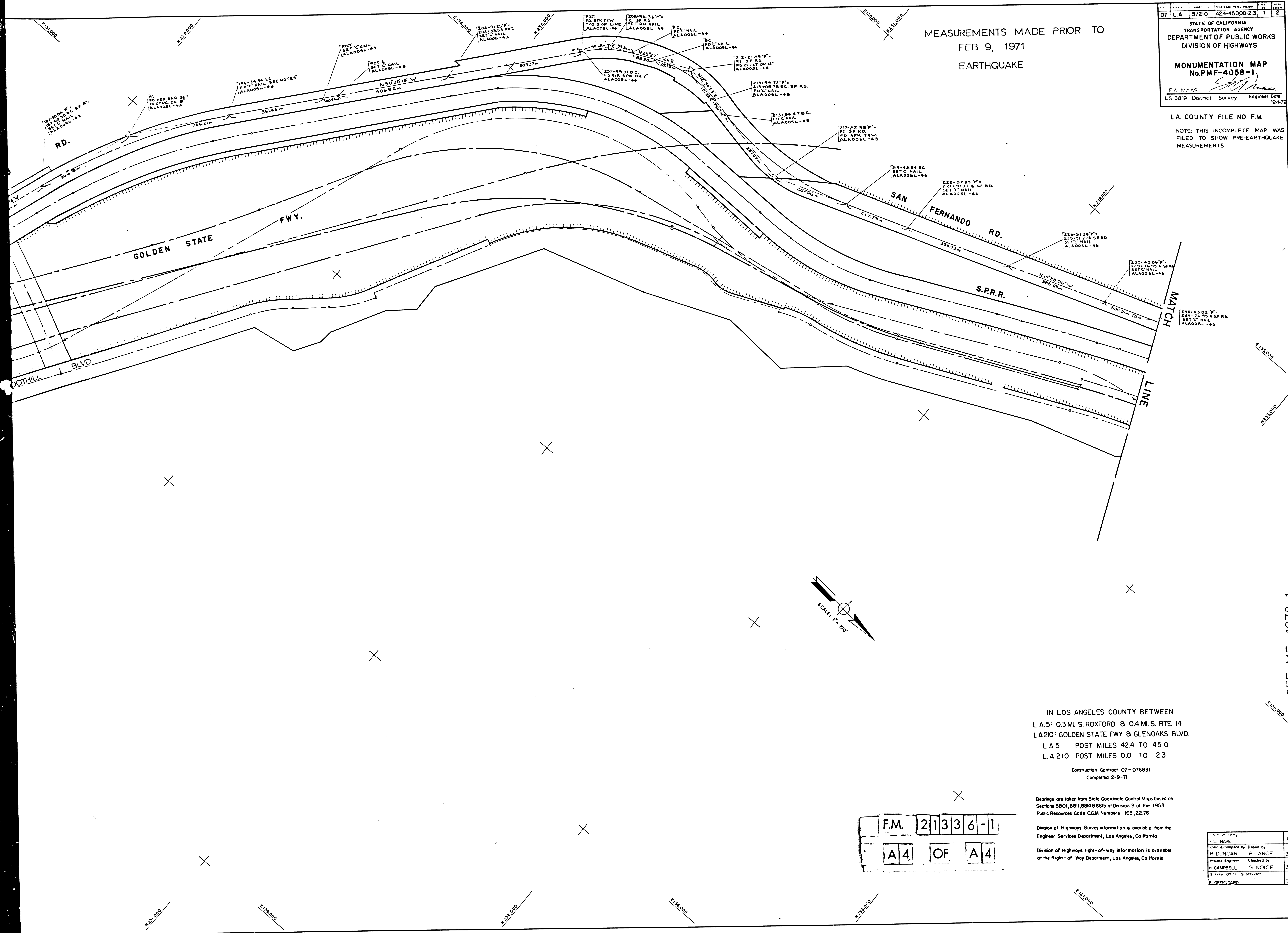
07	L.A.	5/210	424-45000-23	1	2
----	------	-------	--------------	---	---

STATE OF CALIFORNIA
TRANSPORTATION AGENCY
DEPARTMENT OF PUBLIC WORKS
DIVISION OF HIGHWAYS

MONUMENTATION MAP
No. PMF-4058-1

F.A. MAAS
LS 3819 District Survey Engineer Date 12-4-72

L.A. COUNTY FILE NO. F.M.
NOTE: THIS INCOMPLETE MAP WAS
FILED TO SHOW PRE-EARTHQUAKE
MEASUREMENTS.



IN LOS ANGELES COUNTY BETWEEN
L.A.5+ 0.3 MI. S. ROXFORD & 0.4 MI. S. RTE. 14
L.A.210: GOLDEN STATE FWY & GLENOAKS BLVD.
L.A.5 POST MILES 42.4 TO 45.0
L.A.210 POST MILES 0.0 TO 2.3

Construction Contract 07-076831
Completed 2-9-71

Bearings are taken from State Coordinate Control Maps based on
Sections 8801, 8811, 8848, 8815 of Division 9 of the 1953
Public Resources Code C.C.M. Numbers 163, 22, 76

Division of Highways Survey information is available from the
Engineer Services Department, Los Angeles, California

Division of Highways right-of-way information is available
at the Right-of-Way Department, Los Angeles, California

F.M. 21336-1
A4 OF A4

DATE	NAME
3/72	R. DUNCAN
3/72	B. LANCE
3/72	H. CAMPBELL
3/72	E. GIBSON

SEE MF 4078-1