

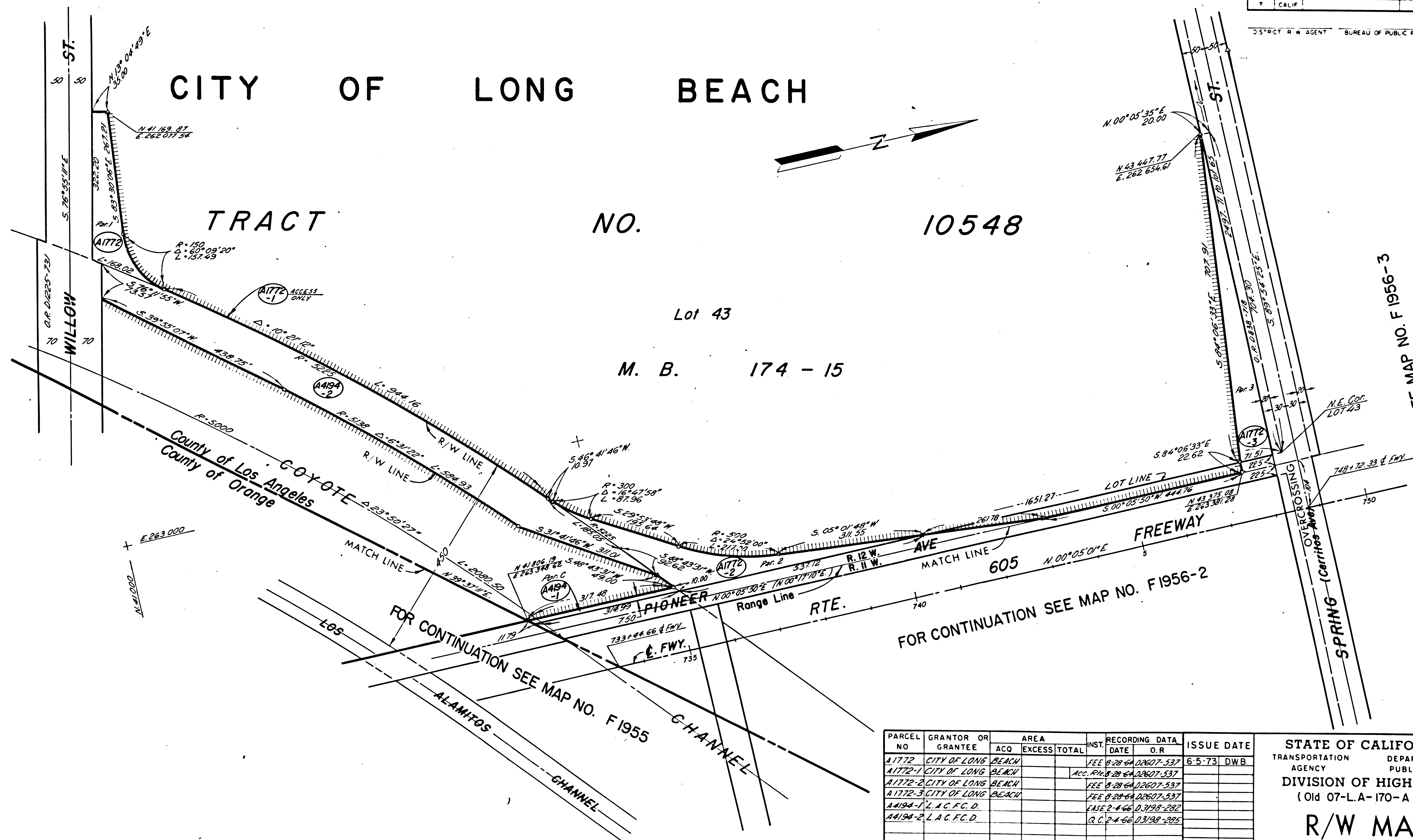
STATE	FEDERAL PROJECT NO.	EFFECTIVE DATE	SHEET NO.	TOTAL SHEETS
CALIF.				
DISTRICT R/W AGENT		BUREAU OF PUBLIC ROADS	DATE	

CITY OF LONG BEACH

TRACT NO. 10548

Lot 43

M. B. 174 - 15



FOR CONTINUATION SEE MAP NO. F 1955

FOR CONTINUATION SEE MAP NO. F 1956-2

FOR CONTINUATION SEE MAP NO. F 1956-3

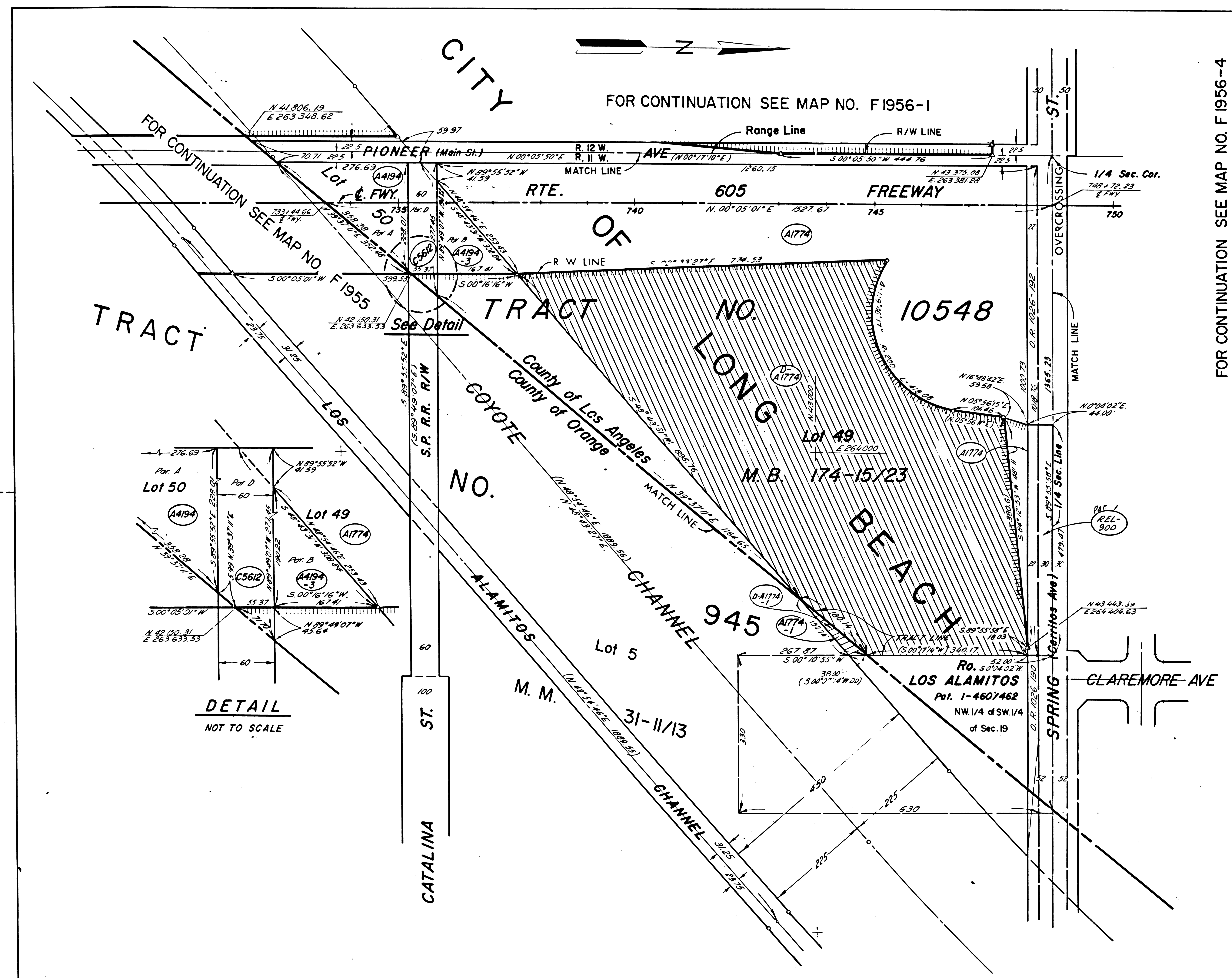
PARCEL NO.	GRANTOR OR GRANTEE	ACQ.	AREA EXCESS TOTAL	INST. DATE	RECORDING DATA O.R.	ISSUE DATE
A1772	CITY OF LONG BEACH			9-28-64	D2607-537	6-5-73 DWB
A1772-1	CITY OF LONG BEACH			9-28-64	D2607-537	
A1772-2	CITY OF LONG BEACH			9-28-64	D2607-537	
A1772-3	CITY OF LONG BEACH			9-28-64	D2607-537	
A1794-1	L.A.C.F.C.D.			2-4-66	D3198-282	
A1794-2	L.A.C.F.C.D.			2-4-66	D3198-285	

STATE OF CALIFORNIA
 TRANSPORTATION AGENCY
 DEPARTMENT OF PUBLIC WORKS
 DIVISION OF HIGHWAYS
 (Old 07-L.A-170-A)
R/W MAP
 NO. F1956-1
 07-L.A-605 - PM. 0.2 N.
 DATE 4-2-73
 RWPE A. Estes SR J. Berg

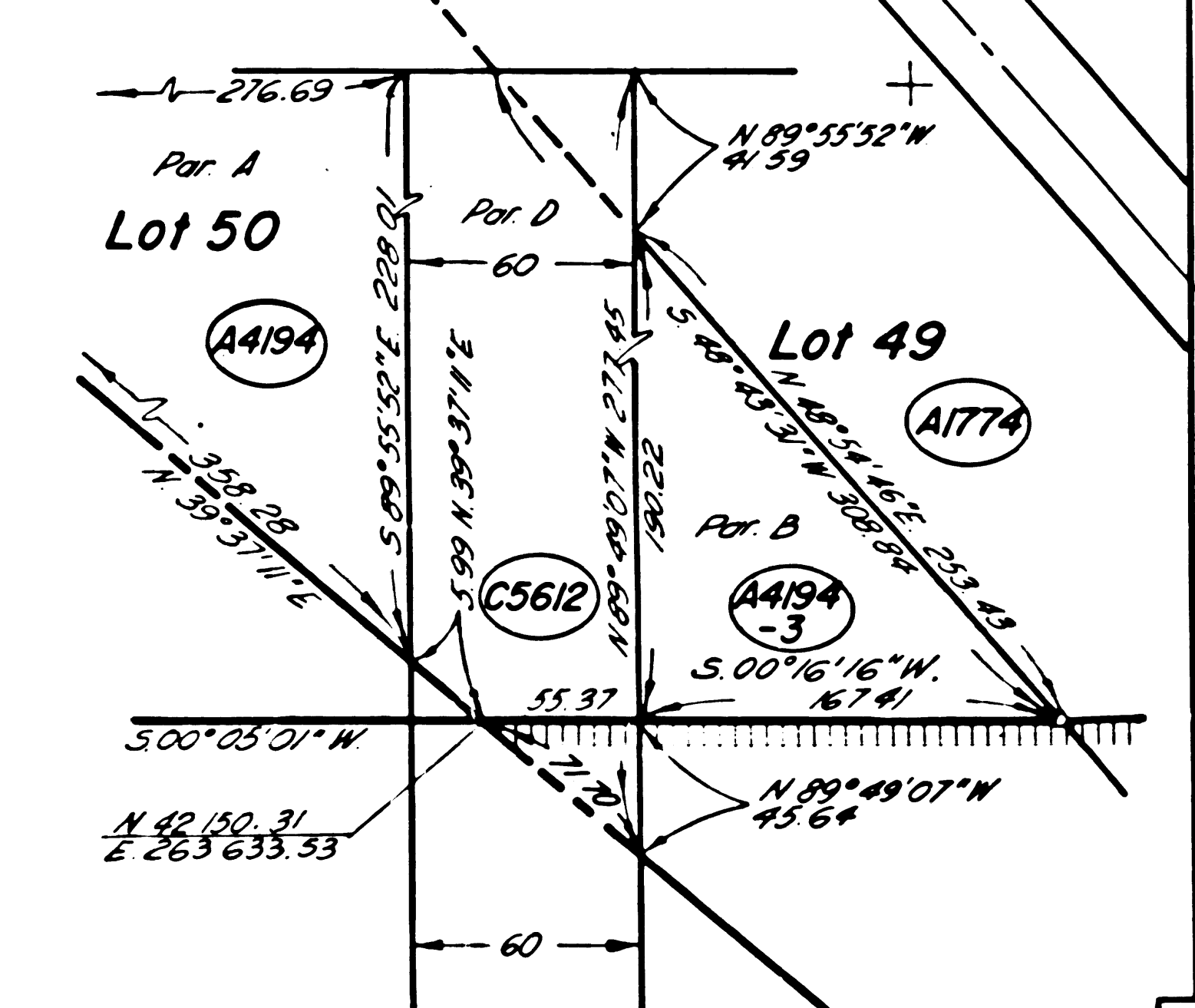
LEGEND:
 ACCESS DENIED
 AREA IN SQUARE FEET UNLESS OTHERWISE NOTED
 () PREVIOUS RECORD DATA

F.M. 21505-1

FM 21505-1



TRACT



DETAIL
NOT TO SCALE

FOR CONTINUATION SEE MAP NO. F 1956-4

PARCEL NO.	GRANTOR OR GRANTEE	AREA *			INST. DATE	RECORDING DATA OR
		ACO	EXCESS	TOTAL		
A1174	THE IRVINE CO.				FEE 7-3-64	D2535-745
A1174-1	THE IRVINE CO.				FEE 2-2-66	7828-451
A4194	L.A.C.F.C.D.				EASE 2-4-66	D3198-282
A4194-3	L.A.C.F.C.D.				EASE 2-4-66	D3198-282
C5612	L.A.C.F.C.D.				EASE 2-4-66	D3198-282
D41174-1	R.H. Limtz, et al				DD 2-28-72	10016-501
D41174	R.H. Limtz, et al				DD 2-28-72	5367-755
Rel. 900	St. to City of Long Beach				Rel. 8-28-73	R4298-676

ISSUE DATE
6-5-73 DWB.

STATE OF CALIFORNIA
 TRANSPORTATION DEPARTMENT OF
 AGENCY PUBLIC WORKS
 DIVISION OF HIGHWAYS
 (Old 07-L.A.-170-A)

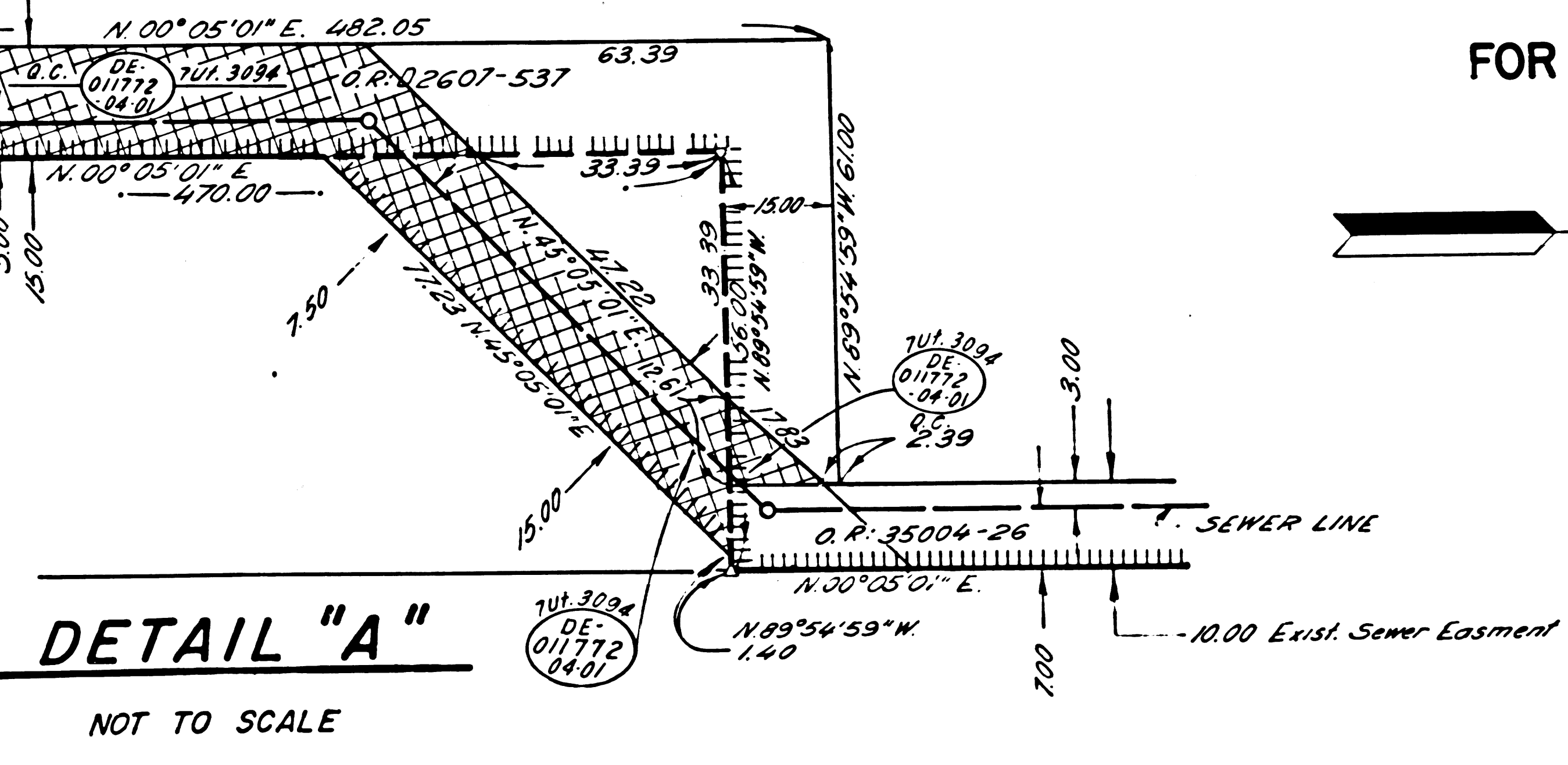
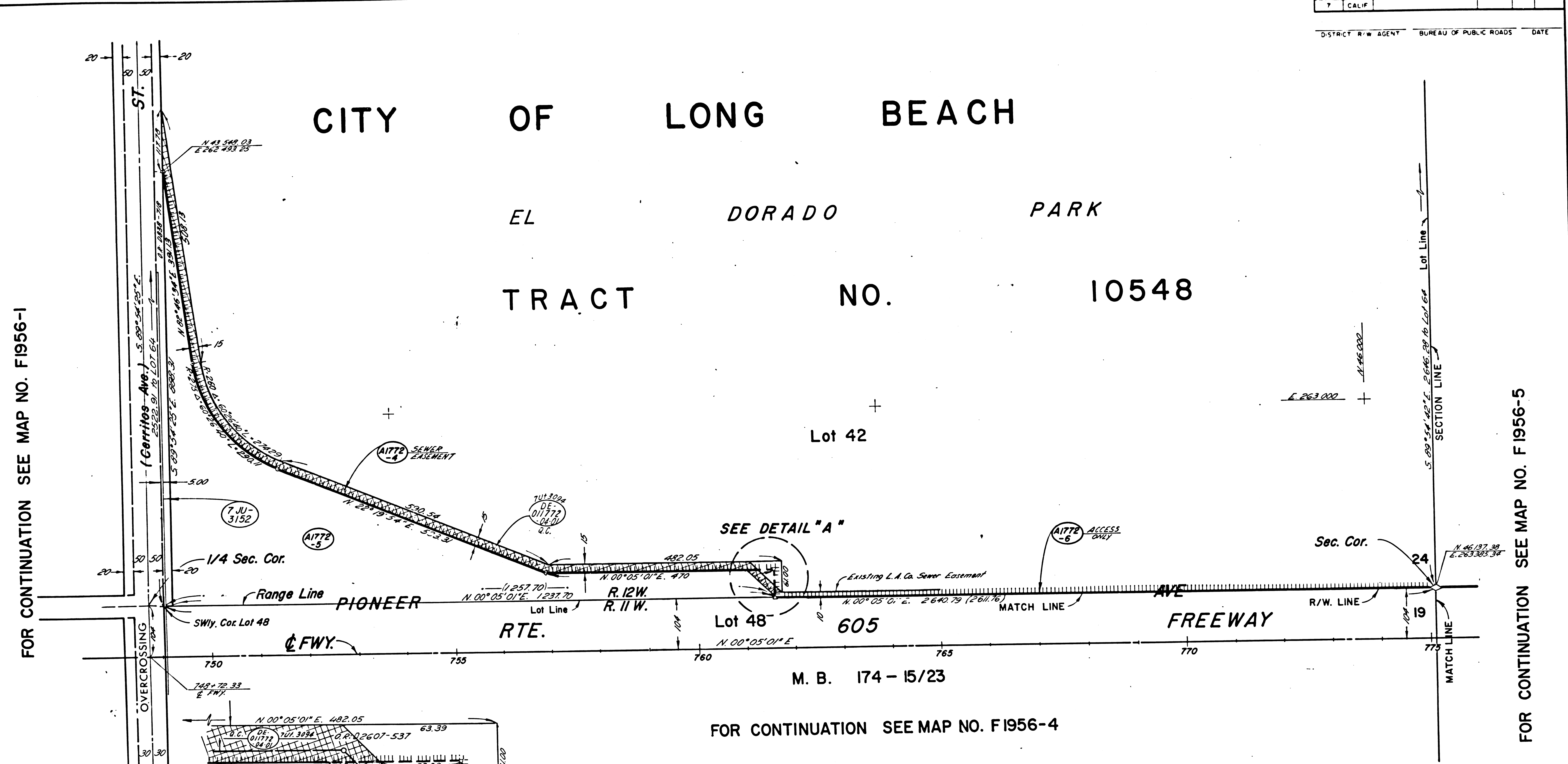
R/W MAP
 NO. F 1956-2
 07-L.A.-605 PM. 0.2 N.

100 0 100
 R/W P.E. A. Estes DATE 4-2-73
 SR I. Berg

LEGEND: AREA ASSIGNED EXCLUDES STREET AREA
 AREA IN SQUARE FEET UNLESS OTHERWISE NOTED
 (*) PREVIOUS METHOD DATA

FM 21505-2

FM 21505-2



PARCEL NO.	GRANTOR OR GRANTEE	ACQ.	AREA		INST. DATE	RECORDING DATA		ISSUE DATE
			EXCESS	TOTAL		O.R.		
A1772-4	CITY OF LONG BEACH				FILE 1-28-64	D2607-537	6-5-73	DWB.
A1772-5	CITY OF LONG BEACH				FILE 8-28-64	D2607-537	11-5-73	J.P.
A1772-6	CITY OF LONG BEACH				Acc. R/S 8-28-64	D2607-537		
DE0177204	State to County of A. San Dist. No. 13				DE 10-27-73	D5892-250		

STATE OF CALIFORNIA
 TRANSPORTATION AGENCY
 DEPARTMENT OF PUBLIC WORKS
 DIVISION OF HIGHWAYS
 (Old 07-LA-170-A)
R/W MAP
 NO. F1956-3
 07-LA-605 PM.05N.
 DATE 4-2-73
 RWPE A. Estes SR T. Berg

LEGEND:
 [Symbol] ACCESS DENIED
 [Symbol] AREA IN SQUARE FEET UNLESS OTHERWISE NOTED
 [Symbol] PREVIOUS RECORD DATA
 [Symbol] EXCLUDES STREET AREA

F.M. 21505-3

FM 21505-3

CITY OF LONG BEACH

EL DORADO PARK TRACT NO. 10548

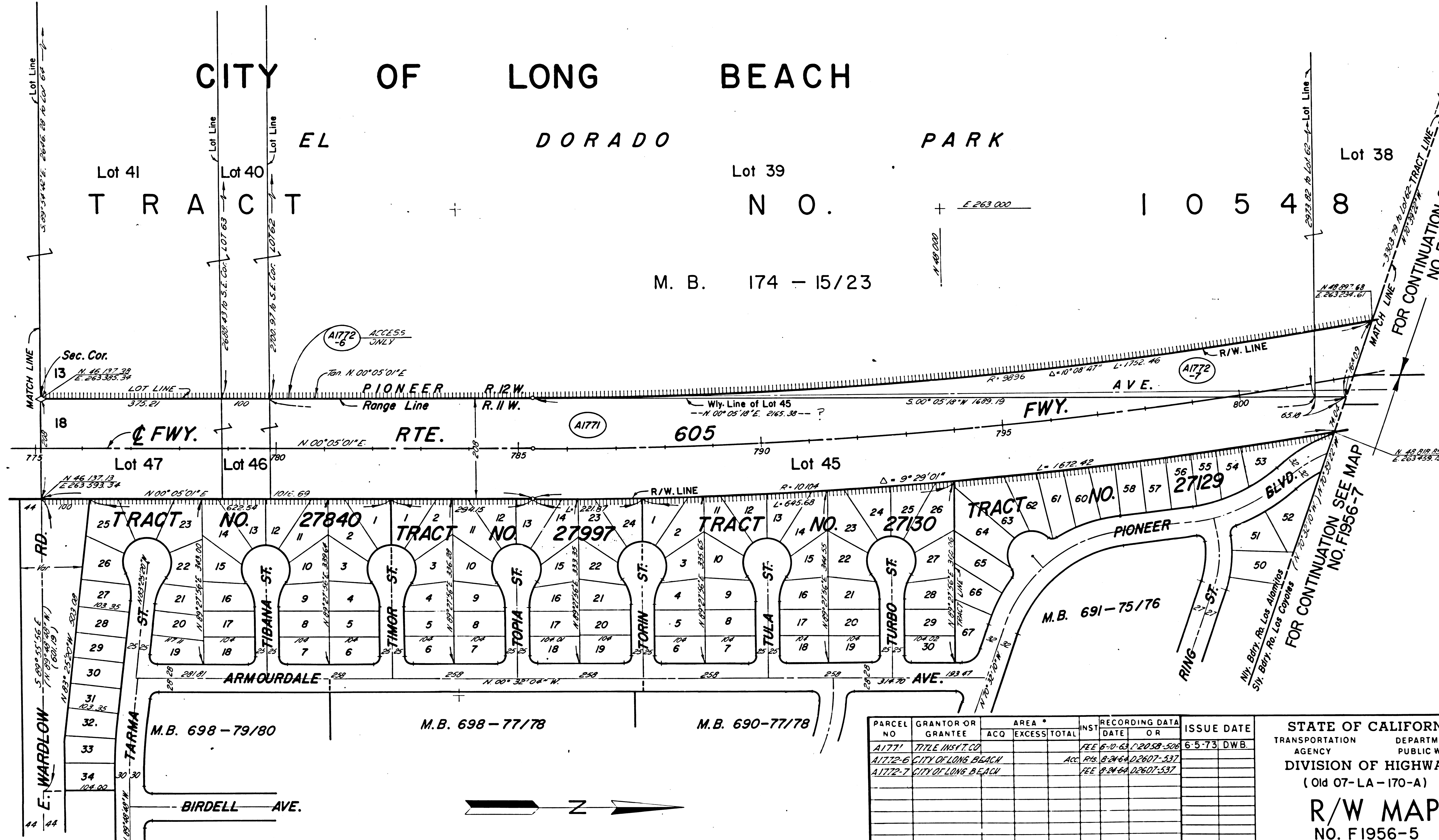
M. B. 174 - 15/23

FOR CONTINUATION SEE MAP NO. F1956-3

FOR CONTINUATION SEE MAP NO. F1956-6

FOR CONTINUATION SEE MAP NO. F1956-4

FOR CONTINUATION SEE MAP NO. F1956-7



PARCEL NO.	GRANTOR OR GRANTEE	ACQ	AREA * EXCESS TOTAL	INST	RECORDING DATA DATE OR	ISSUE DATE
A1771	TITLE INS'P. CO.				REC. 8-10-63 12058-308	6-5-73 DWB
A1772-6	CITY OF LONG BEACH	ACC			REC. 8-21-64 D2607-537	
A1772-7	CITY OF LONG BEACH				REC. 9-24-64 D2607-537	

STATE OF CALIFORNIA
 TRANSPORTATION DEPARTMENT OF
 AGENCY PUBLIC WORKS
DIVISION OF HIGHWAYS
 (Old 07-LA-170-A)

R/W MAP

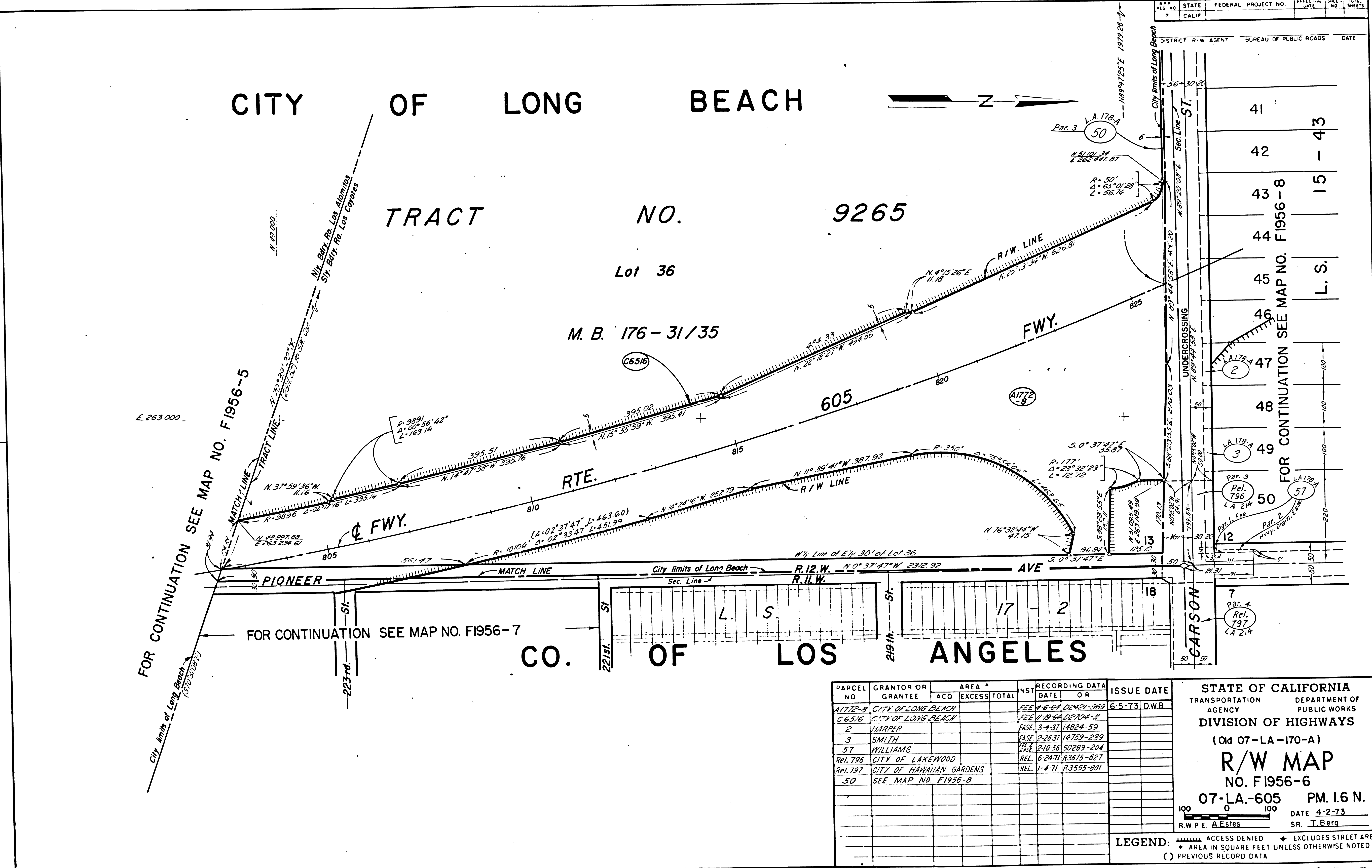
NO. F1956-5
 07-LA-605 P.M.I.O.N.
 DATE 4-2-73

R/W P.E. A. Estes SR T. Berg

LEGEND:
 [Symbol] ACCESS DENIED [Symbol] EXCLUDES STREET AREA
 * AREA IN SQUARE FEET UNLESS OTHERWISE NOTED
 () PREVIOUS RECORD DATA

F.M. 21505-5

FM 21505-5



7	CALIF.	FEDERAL PROJECT NO.	EFFECTIVE DATE	SHEET NO.	TOTAL SHEETS
				41	43

41	
42	
43	8
44	F1956-8
45	L.S.
46	
47	
48	
49	
50	
51	
52	
53	
54	
55	
56	
57	

PARCEL NO.	GRANTOR OR GRANTEE	AREA * ACQ EXCESS TOTAL	INST DATE OR	RECORDING DATA DATE OR	ISSUE DATE
A172-B	CITY OF LONG BEACH		FEE	4-6-64 D2421-969	6-5-73 D.W.B.
C6516	CITY OF LONG BEACH		FEE	1-18-64 D2704-11	
2	HARPER		EASE	3-4-31 14824-39	
3	SMITH		EASE	2-26-37 14759-239	
57	WILLIAMS		FEE	2-10-35 50289-204	
Rel. 796	CITY OF LAKEWOOD		REL.	6-24-71 R3675-827	
Rel. 797	CITY OF HAWAIIAN GARDENS		REL.	1-4-71 R3555-801	
50	SEE MAP NO. F1956-8				

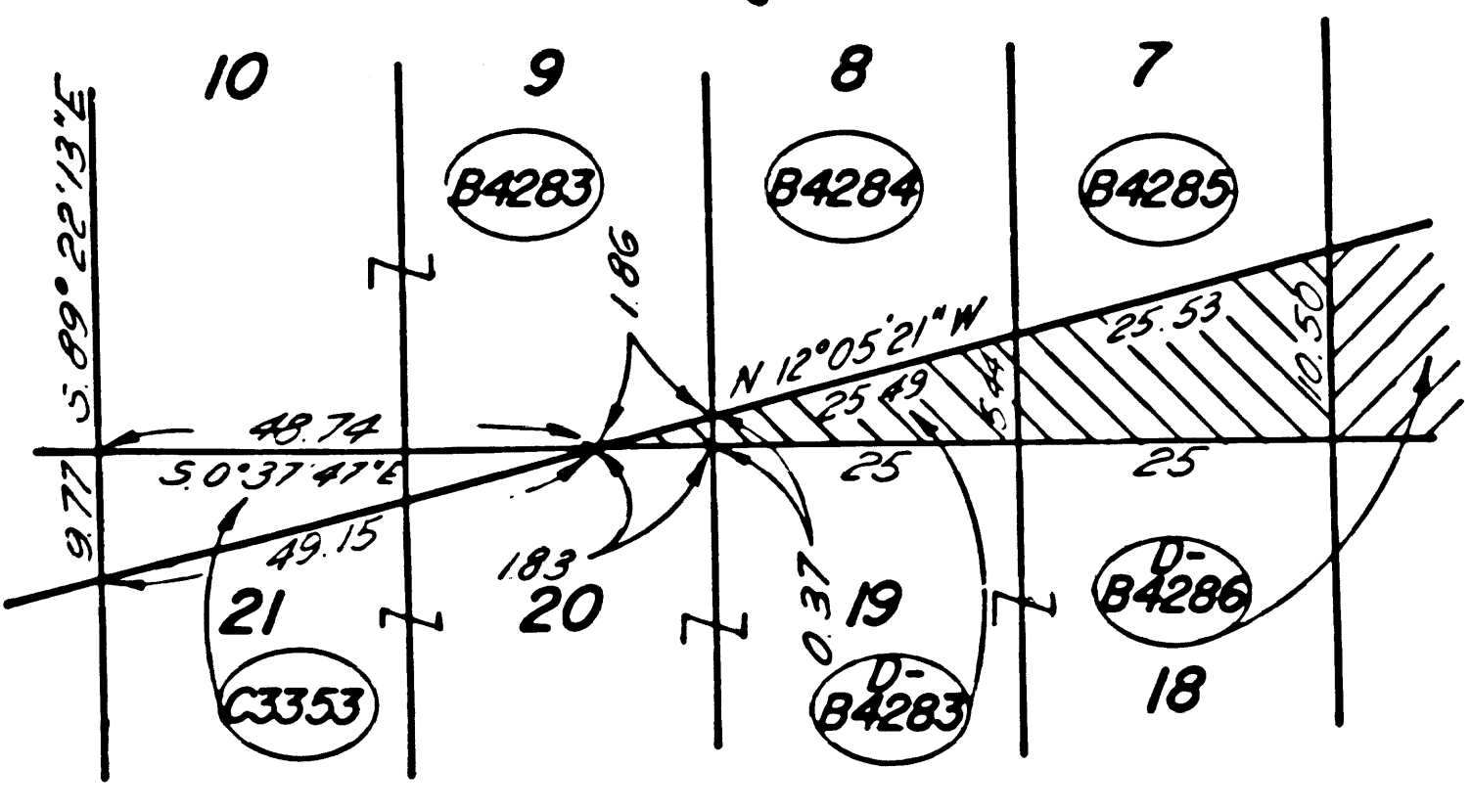
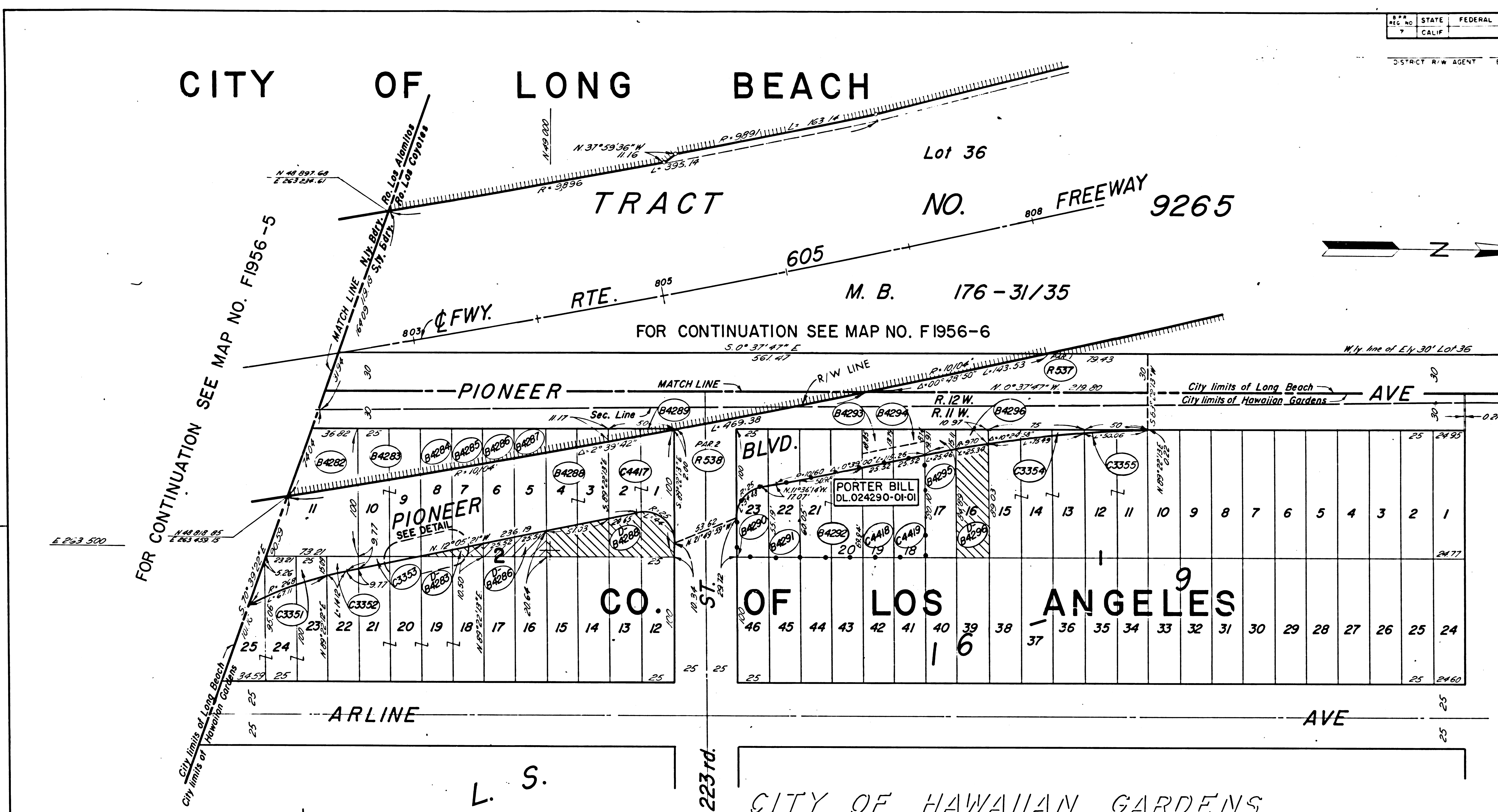
STATE OF CALIFORNIA
 TRANSPORTATION AGENCY
 DEPARTMENT OF PUBLIC WORKS
 DIVISION OF HIGHWAYS
 (Old 07-LA-170-A)
R/W MAP
 NO. F1956-6
 07-LA-605 PM. 16 N.
 DATE 4-2-73
 R.W.P.E. A. Estes SR. I. Berg

LEGEND:
 ACCESS DENIED
 AREA IN SQUARE FEET UNLESS OTHERWISE NOTED
 EXCLUDES STREET AREA
 PREVIOUS RECORD DATA

F.M. 21505-6

FM 21505-6

CITY OF LONG BEACH



PARCEL NO	GRANTOR OR GRANTEE	AREA * ACQ EXCESS TOTAL	INST RECORDING DATA DATE OR	PARCEL NO	GRANTOR OR GRANTEE	AREA * ACQ EXCESS TOTAL	INST RECORDING DATA DATE OR	PARCEL NO	GRANTOR OR GRANTEE	AREA * ACQ EXCESS TOTAL	INST RECORDING DATA DATE OR	ISSUE DATE
B4282	ROBBINS		FEE 7-26-63 D219-201	B4294	WIEBERDINK		FEE 7-8-63 D1946-418					6-5-73 D.W.B.
B4283	JONES		FEE 2-7-64 D2351-440	B4295	BAILEY		FEE 4-3-64 D2419-387					
D-B4283	BOSCH		D.D. 4-27-66 D3285-336	B4296	BATES		FEE 12-12-63 D2286-844					
B4284	RUSSELL		FEE 6-14-62 D1648-683	D-B4296	BAILEY		D.D. 7-16-64 D2552-771					
B4285	SALASEK		FEE 4-19-62 D1795-384	C3351	NELSON		FEE 2-6-64 D2349-950					
B4286	STEIN		FEE 4-2-63 D1976-260	C3352	HI-LO BUILDERS INC		FEE 1-22-64 D2321-529					
D-B4286	VATTER		D.D. 9-3-70 D4872-682	C3353	BOSCH		FEE 4-27-64 D2494-920					
B4287	SIEM		FEE 9-13-62 D1779-791	C3354	D. BARDA		FEE 2-13-64 D2356-337					
B4288	SKELTON ETAL		FEE 7-31-63 D1905-166	C3355	S. BARDA		FEE 1-24-64 D2334-814					
D-B4288	HAMILTON		D.D. 7-11-63 D4432-282	C4417	MILLSOM		FEE 12-18-63 D2293-566					
B4289	MILLSOM		FEE 11-1-63 D1682-343	C4418	YORK INVESTMENT CO		FEE 1-3-64 D2309-284					
B4290	KEEL		FEE 10-22-62 D1797-15	C4419	WIEBERDINK		FEE 4-27-63 D2322-301					
B4291	KEEL		FEE 9-27-62 D1735-993	P5377A1	CITY OF LONG BEACH		REL 11-1-67 P2862-284					
B4292	YORK INVESTMENT CO		FEE 11-5-62 D1812-540	P538	CITY OF HAWAIIAN GARDENS		REL 11-1-67 P2862-283					
B4293	YORK INVESTMENT CO		FEE 4-29-62 D1837-809									

STATE OF CALIFORNIA
TRANSPORTATION DEPARTMENT OF
AGENCY PUBLIC WORKS
DIVISION OF HIGHWAYS
(Old-07-L.A.-170-A)

R/W MAP
NO. F1956-7
07-L.A.-605 PM. I.4.N.
DATE 4-2-73
R.W.P.E. A. Estes SR. I. Berg

LEGEND:

- ACCESS DENIED
- AREA IN SQUARE FEET UNLESS OTHERWISE NOTED
- PREVIOUS RECORD DATA
- EXCLUDES STREET AREA
- SPECIAL USE AREA

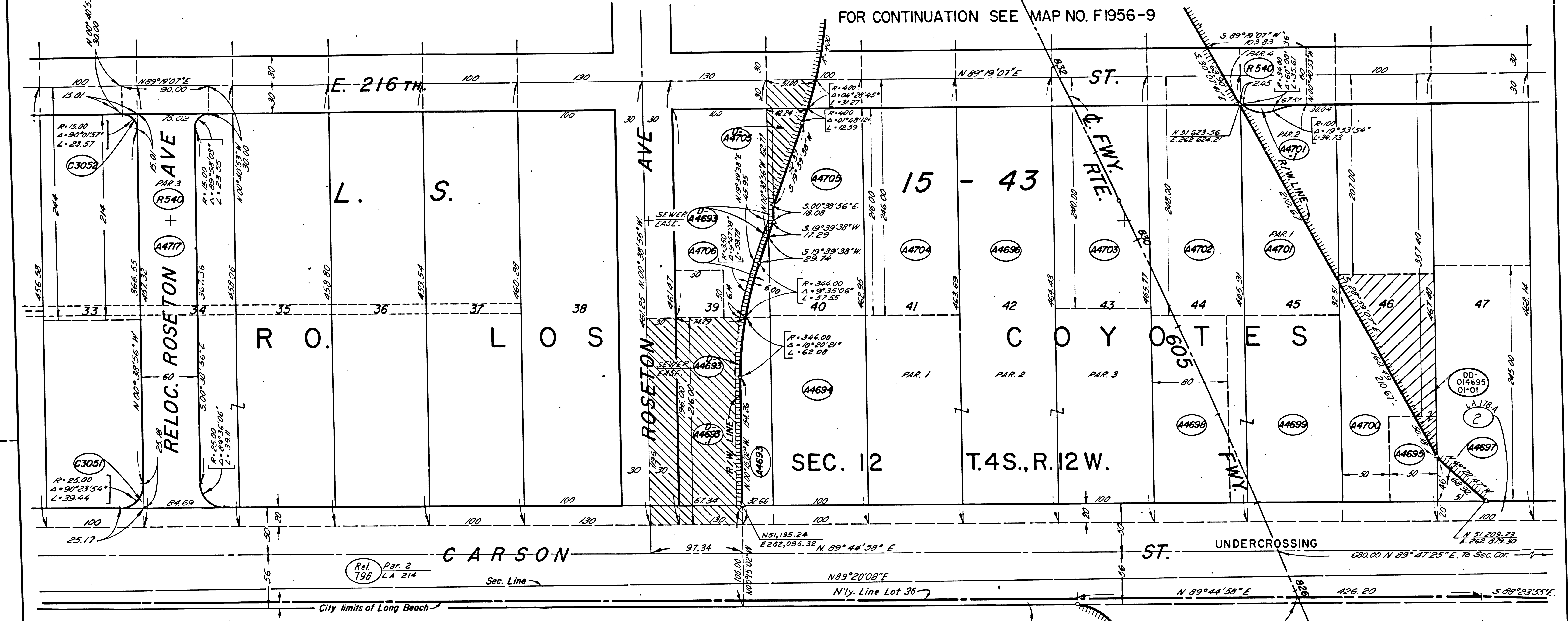
F.M. 21505-7

FM 21505-7

CITY OF LAKEWOOD

REG. NO.	STATE	FEDERAL PROJECT NO.	EFFECTIVE DATE	SHEET NO.	TOTAL SHEETS
7	CALIF.				

DISTRICT R/W AGENT BUREAU OF PUBLIC ROADS DATE



FOR CONTINUATION SEE MAP NO. F1956-9

FOR CONTINUATION SEE MAP NO. F1956-6

Lot 36

PARCEL NO.	GRANTOR OR GRANTEE	AREA *			INST.	RECORDING DATA DATE OR	PARCEL NO.	GRANTOR OR GRANTEE	AREA *			INST.	RECORDING DATA DATE OR	ISSUE DATE
		ACO	EXCESS	TOTAL					ACO	EXCESS	TOTAL			
A4693	RODGERS				FEE 6-21-63 D2081-661	A4705	KATZ				FEE 6-17-64 D082-279			6-5-73 D.W.B.
D-A4693	CITY OF LAKEWOOD				D.D. 6-19-63 D4409-383	D-A4705	LANZING				D.D. 10-4-63 D424-366			
D-A4693	PARIS				D.D. 6-4-70 D4731-546	A4706	WEST				FEE 5-28-63 D2244-407			
A4694	FRIERSON				FEE 10-10-62 D1784-540	A4717	MITCHELL				FEE 1-3-64 D2309-297			
A4695	TAYLOR				FEE 7-26-63 D2119-211	C3051	Mc. CLURE				FEE 3-3-64 D2380-229			
A4696 PAR. 1,2,3	NEISH				FEE 4-6-62 D1571-116	C3052	SHADLE				FEE 12-9-63 D2201-623			
A4697	MOUSHAGIAN				COND. 12-17-63 D2292-587	P-540 PAR. 3	CITY OF LAKEWOOD				REL. 4-26-68 R2973-66			
A4698	DOWMEN				COND. 12-17-63 D2292-587	P-540 PAR. 4	CITY OF LAKEWOOD				DD 11-30-73 D6098-260			
A4699	ZELLMER				FEE 4-29-62 D1937-819	00014995	State of California							
A4700	BELLFLOWER CAL. CO. OF JEWELRY'S WIM.				FEE 4-24-63 D2003-129	2	SEE MAP NO. F1956-6				REL. 6-24-71 R3675-627			
A4701	BARNES				FEE 8-14-63 D2144-450	Rel. 796	CITY OF LAKEWOOD				BASE. 12-1-53 43283-199			
A4701-1						50	CITY OF LONG BEACH							
A4702	KLEMISH				FEE 12-1-60 D1051-374									
A4703	NIELSEN				FEE 3-30-62 D1562-370									
A4704	PHAY				FEE 3-30-62 D1562-394									

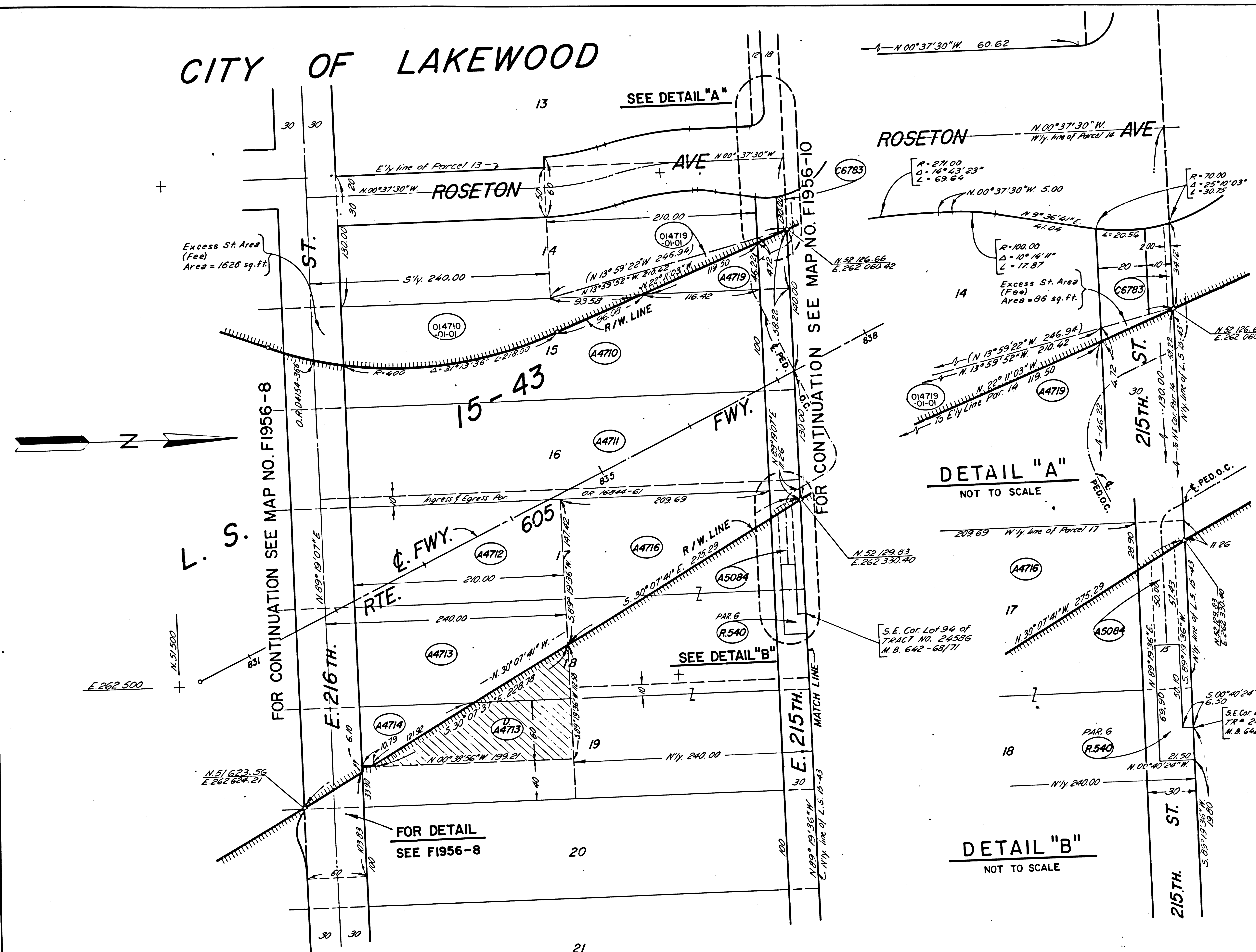
STATE OF CALIFORNIA
TRANSPORTATION DEPARTMENT OF
AGENCY PUBLIC WORKS
DIVISION OF HIGHWAYS
(Old-07-L.A.-170-A)
R/W MAP
NO. F1956-8
07-L.A-605 PM. 1.76N.
DATE 4-2-73
R.W.P.E. A. Estes SR. J. Berg

LEGEND: ACCESS DENIED EXCLUDES STREET AREA
 AREA IN SQUARE FEET UNLESS OTHERWISE NOTED
 PREVIOUS RECORD DATA

FM 21505-8

FM. 21505-8

CITY OF LAKEWOOD



PARCEL NO	GRANTOR OR GRANTEE	AREA *			RECORDING DATA	
		ACO	EXCESS	TOTAL	DATE	OR
A4710	GEARHART			13,383	FEE	5-8-62 D1606-903
A4711	HUDSON ETAL				FEE	5-22-62 D1622-336
A4712	MICHAEL				FEE	5-11-62 D1611-450
A4713	MEYER				FEE	10-11-62 D1791-979
D-A4713	STEWART				D.D.	7-7-67 D3696-329
A4714	WAHLMEIER				FEE	4-30-62 D2839-726
A4716	POULMAN				FEE	5-7-63 D2019-17
A4719	GRAHAM			2682	FEE	5-11-61 D1218-288
A5084	SHERMAN				FEE	9-24-64 D2600-184
C6783	GRAHAM				FEE	4-6-65 D2818-366
R540 PAR 6	CITY OF LAKEWOOD				REL.	4-26-68 R2973-6667

ISSUE DATE: 6-5-73 D.W.B.

STATE OF CALIFORNIA
 TRANSPORTATION DEPARTMENT OF
 AGENCY PUBLIC WORKS
 DIVISION OF HIGHWAYS
 (Old-07-L.A.-170-A)

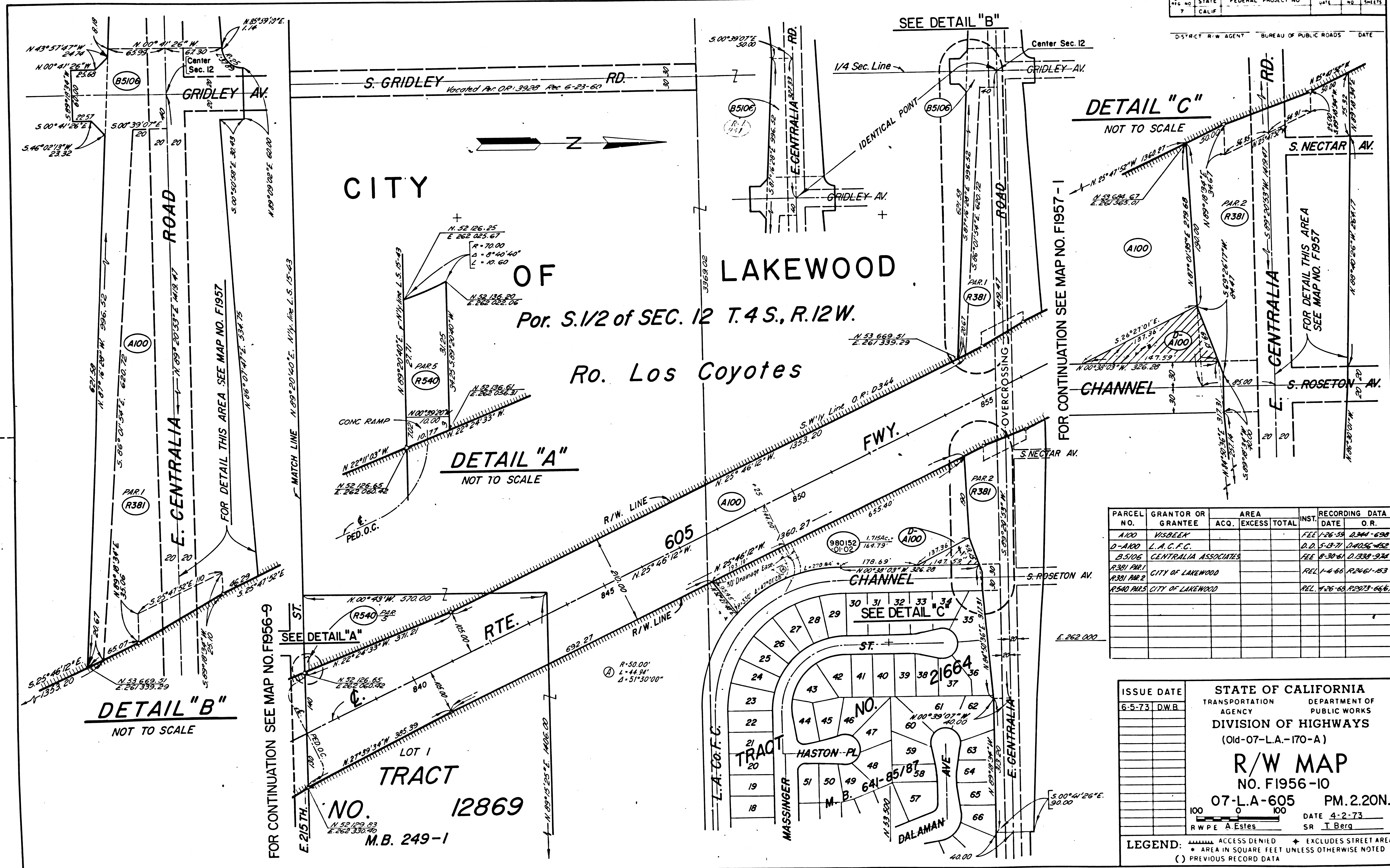
R/W MAP
 NO. F1956-9

07-L.A-605 PM.177N.
 DATE 4-2-73
 SR T.Berg

LEGEND: ACCESS DENIED EXCLUDES STREET AREA
 AREA IN SQUARE FEET UNLESS OTHERWISE NOTED
 PREVIOUS RECORD DATA INCLUDES EASEMENT AREA

F.M. 21505-9

FM 21505-9



F.M. 21505-10

FM 21505-10