

CITY OF WEST COVINA

BOOK 11 PAGE 94

DIST	COUNTY	ROUTE	POST MILES	SHEET NO.	TOTAL SHEETS
07	LA	10	35.0	3	4

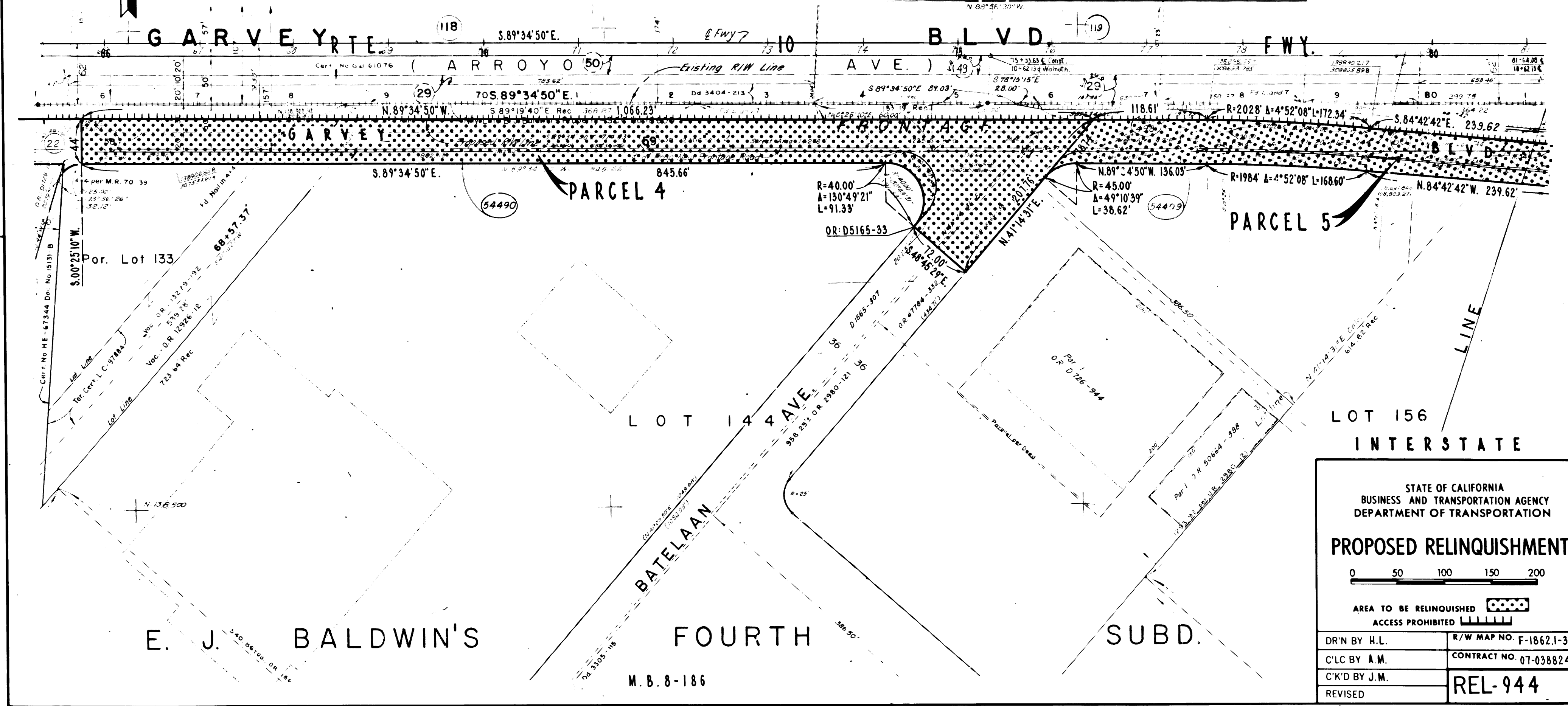
REVISED MAP

Revised sheets 3 & 4 of maps recorded in S. H. M. B. No. II, pages 90/93

Carl B. Repetto
 SENIOR ENGINEER, RIGHT OF WAY ENGINEERING
 REGISTERED CIVIL ENGINEER NO. 14117

FILED AT REQUEST OF DEPT. OF PUBLIC WORKS
 MAR 13, 1974
 1 MIN. PAST 3 PM
 IN BOOK 11
 AT PAGE 94
 OF STATE HIGHWAY MAPS LOS ANGELES COUNTY, CALIF.
 COUNTY RECORDER
 BY *[Signature]*
 FREE Deputy

DATE 3-5-74



STATE OF CALIFORNIA
 BUSINESS AND TRANSPORTATION AGENCY
 DEPARTMENT OF TRANSPORTATION

PROPOSED RELINQUISHMENT

0 50 100 150 200

AREA TO BE RELINQUISHED [Dotted Pattern]
 ACCESS PROHIBITED [Hatched Pattern]

DR'N BY H.L.	R/W MAP NO. F-1862.1-3
C'LC BY A.M.	CONTRACT NO. 07-038824
C'K'D BY J.M.	REL-944
REVISED	

COUNTY ENGINEER'S COPY

CITY OF WEST COVINA

BOOK 11 PAGE 95

DIST	COUNTY	ROUTE	POST MILES	SHEET NO	TOTAL SHEETS
07	LA	10	35.3	4	4

Carl B. Sullivan

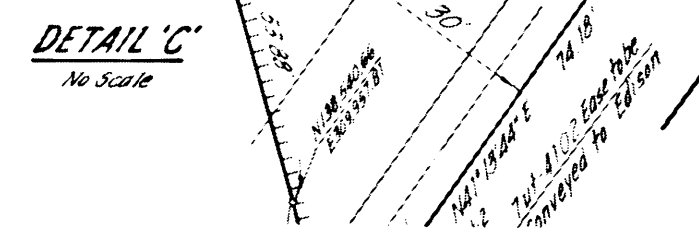
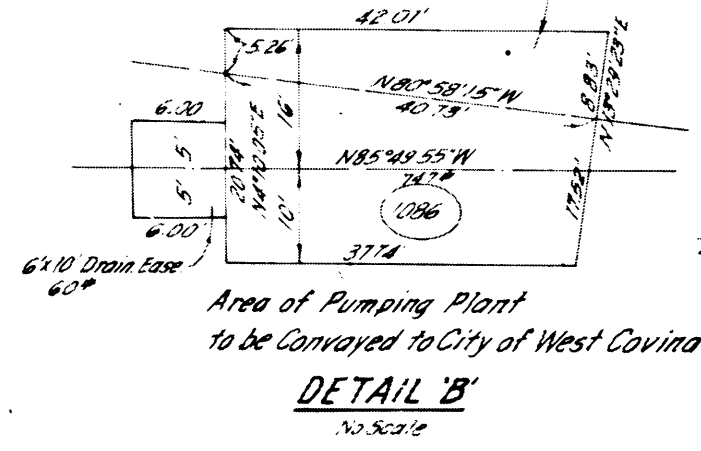
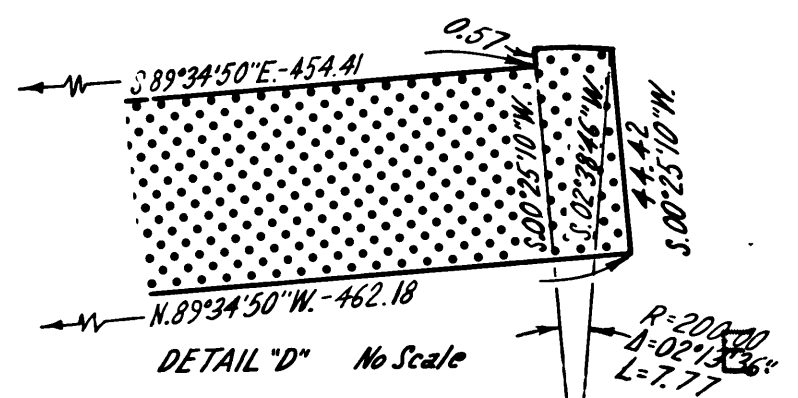
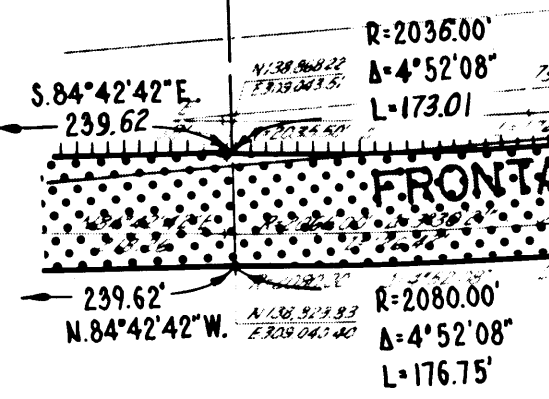
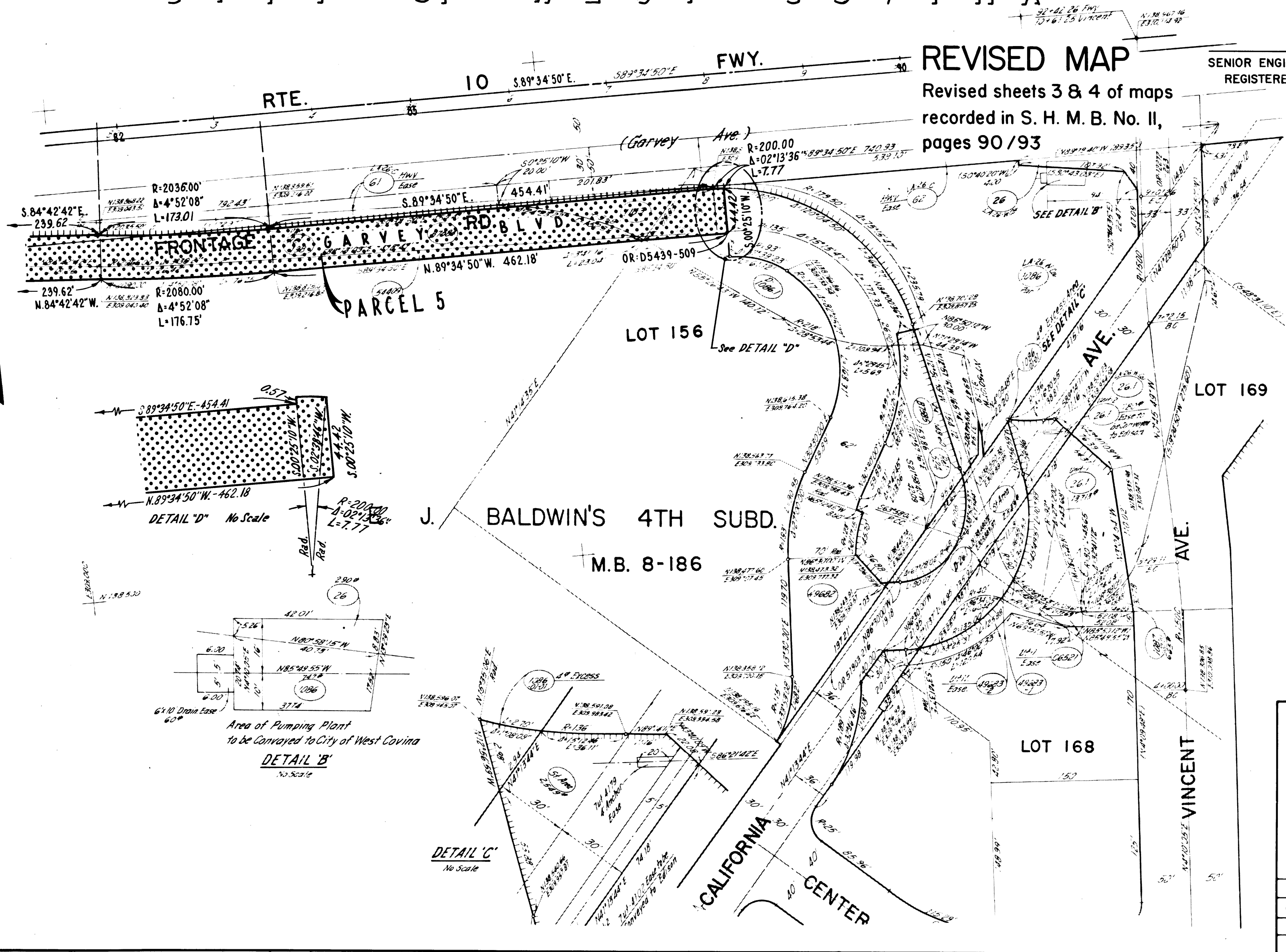
SENIOR ENGINEER, RIGHT OF WAY ENGINEERING
REGISTERED CIVIL ENGINEER NO. 14117

DATE 3-5-74

FILED WITH LOS ANGELES COUNTY RECORDER
MAR 18 1974

REVISED MAP

Revised sheets 3 & 4 of maps recorded in S. H. M. B. No. II, pages 90 / 93



INTERSTATE

STATE OF CALIFORNIA
BUSINESS AND TRANSPORTATION AGENCY
DEPARTMENT OF TRANSPORTATION

PROPOSED RELINQUISHMENT



AREA TO BE RELINQUISHED ACCESS PROHIBITED

DR'N BY H.L.	R/W MAP NO. F-1862.1-5
C'LC BY A.M.	CONTRACT NO. 07-038824
C'K'D BY J.M.	REL-944
REVISED	

COUNTY ENGINEER'S COPY