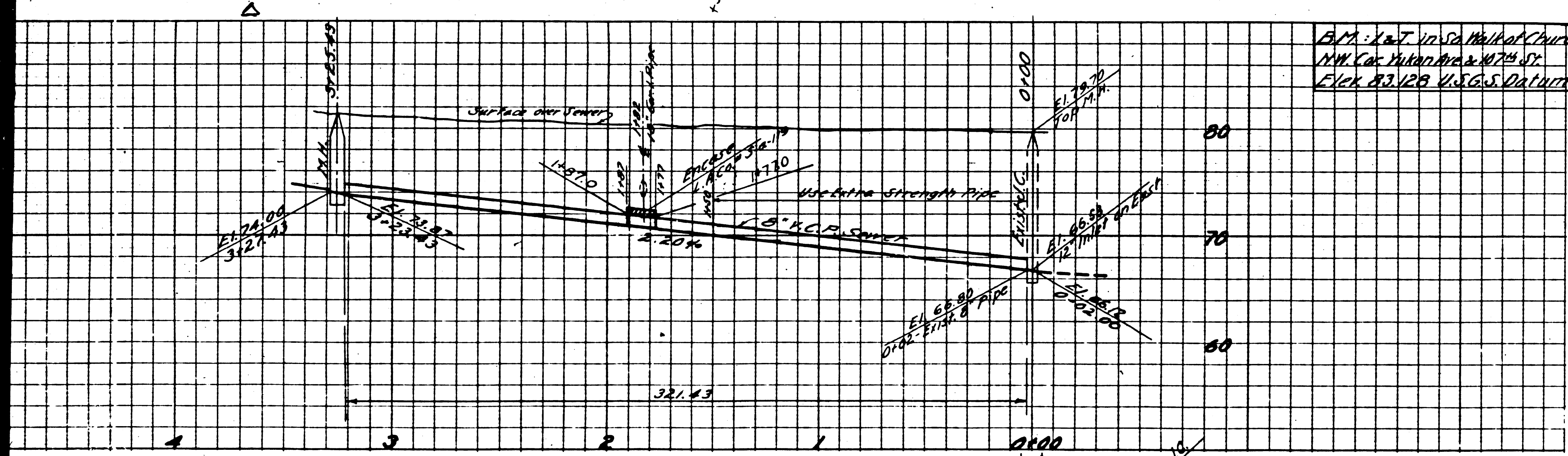


B.M. 12,087
 12,087



DOUBLE SCALE

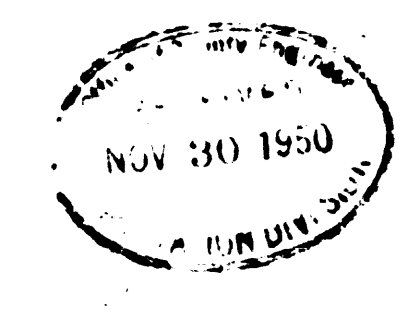
- (1) Use standard manhole frame & cover, S-a-117.
- (2) Use standard strength pipe except where shown.
- (3) Use cement mortar for all vitrified clay pipe joints.
- (4) Resurface all trench within paved area to meet Los Angeles County Road Dept. requirements.
- (5) All structures shall be brick sewer structures, S-a-104.
- (6) Encase four feet of sewer at points of interference with poles per S-a-113.

**PROFILE, ALIGNMENT AND GRADE OF
 SANITARY SEWER
 TO BE CONSTRUCTED IN
 YUKON AVE.
 BETWEEN 108TH ST. & 107TH ST.**

PRIVATE CONTRACT NO. 1296
 W.S. 24
 SHEET 1 OF 1 SHEET
 JAN. 1950

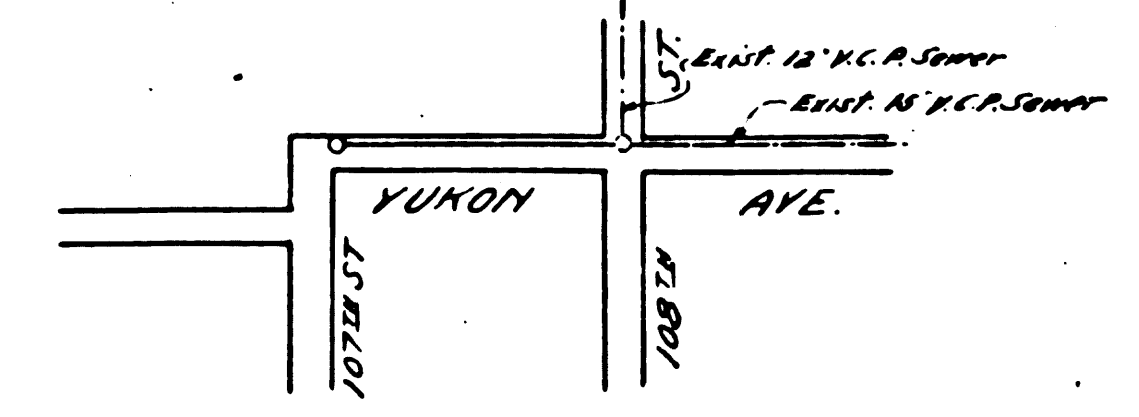
PREPARED IN THE OFFICES OF
JOHN S. GREGORY

BY: *John S. Gregory*
 REG. C. E. No. 6353
 FOR LEGEND
 See Plan 3044

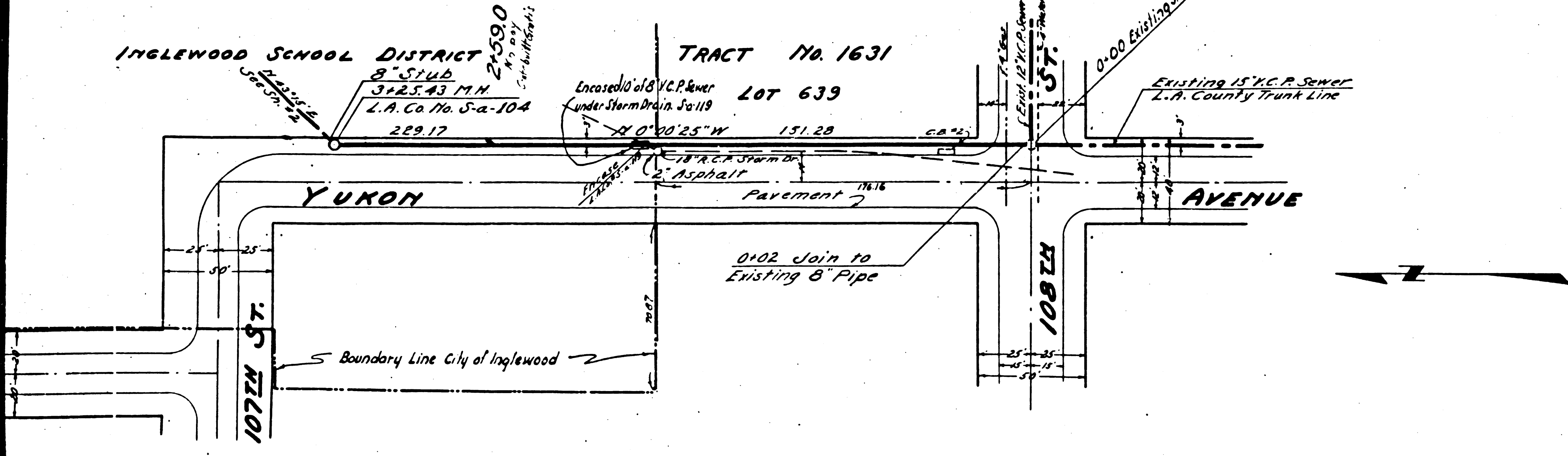


NOTE:
 No representative of the County Engineer will survey or lay out any portion of the work. The Owner or his authorized Representative shall furnish the County Engineer with grade sheets and stations of all house connections and Y Branches and shall provide stakes for them at their proper locations with stationing plainly marked. Any change of location shall be requested in writing by the Owner or his representative.
 No revisions shall be made in these plans without approval of the County Engineer.
 Provide stakes on the Property Lines or Property Lines produced, at right angles to sewer line at center line at each manhole.

INDEX MAP



P.C. # 1296 J/N 3384
 Scale: 1" = 300'



NOTE:
 Grades to which this improvement is to be constructed are shown on plans and profile. Grade points for top of curb, center line of Street or Center line of Alley are shown by circles on profile. At all points between designated points the grade shall be established as to conform to a straight line drawn between said designated points.
 Elevations are in feet above U.S.G.S. Datum or mean sea level.
 This drawing and the data hereon are hereby made a part of the specifications.
 Work shall be constructed according to specifications on file in the office of the County Engineer and shall be prosecuted in the presence of the County Engineer.
 Before work can be started the Contractor must obtain a permit to excavate in County streets from the L.A. County Road Dept. at 125 Main St., and make a deposit with the County Engineer 250 L.A. Co. Eng. Dept. sufficient to cover the cost of construction inspection and record plans.
 Approval of this plan by the County of Los Angeles does not constitute a representation as to the accuracy of the location of or the existence or non-existence of any underground utility, pipe, or structure within the limits of this project.

COUNTY OF LOS ANGELES, CALIFORNIA

APPROVED *John S. Gregory*
 COUNTY ENGINEER
 AM DAWN
 APPROVED BY *John S. Gregory* OFFICE ENGINEER
 COUNTY ENGINEER'S OFFICE
 SANITARY DISTRICT NO. 3

CHECKED BY *John S. Gregory* 3-2-1950
 OFFICE OF COUNTY ENGINEER, DISTRICT NO. 3

