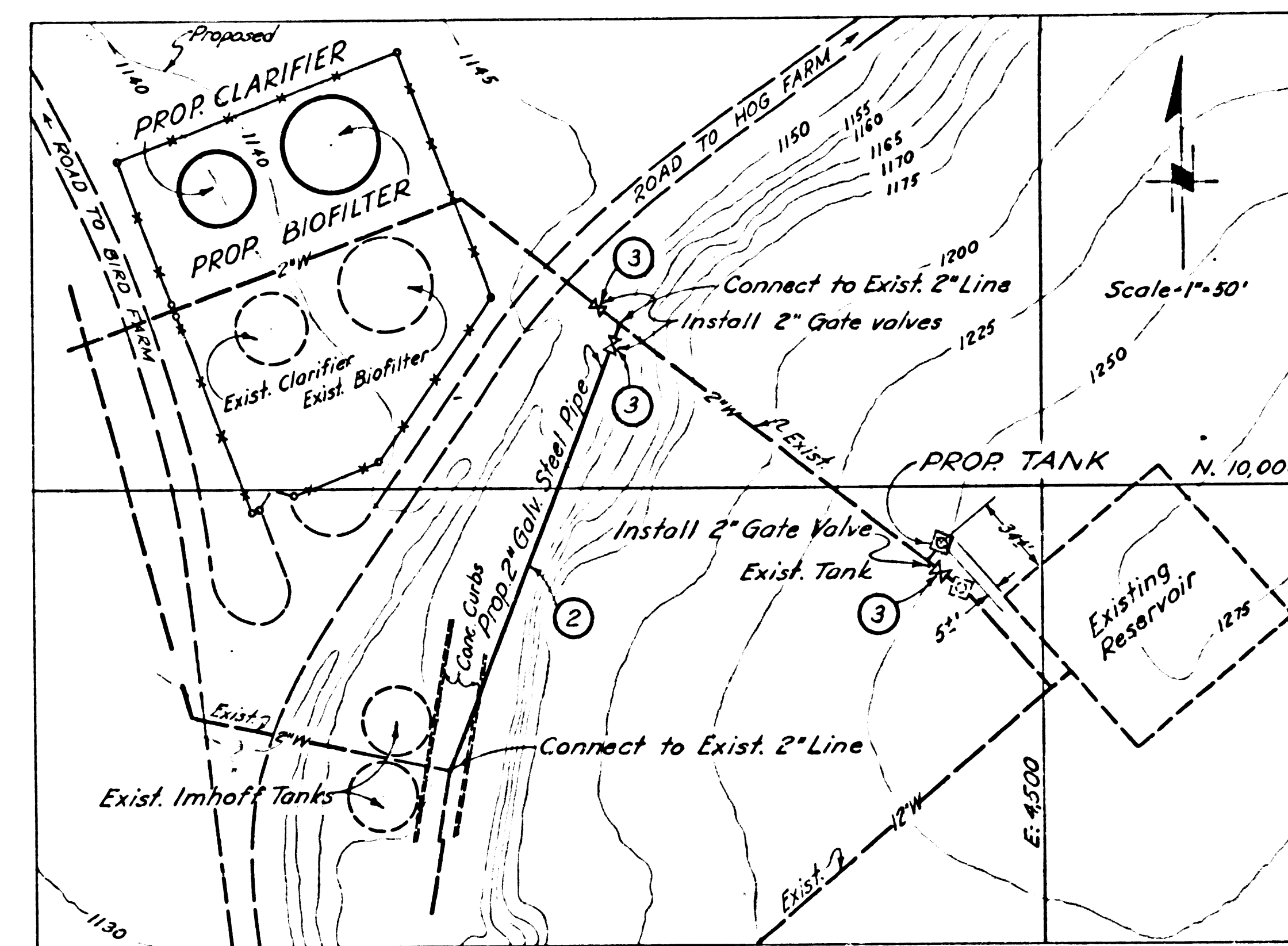
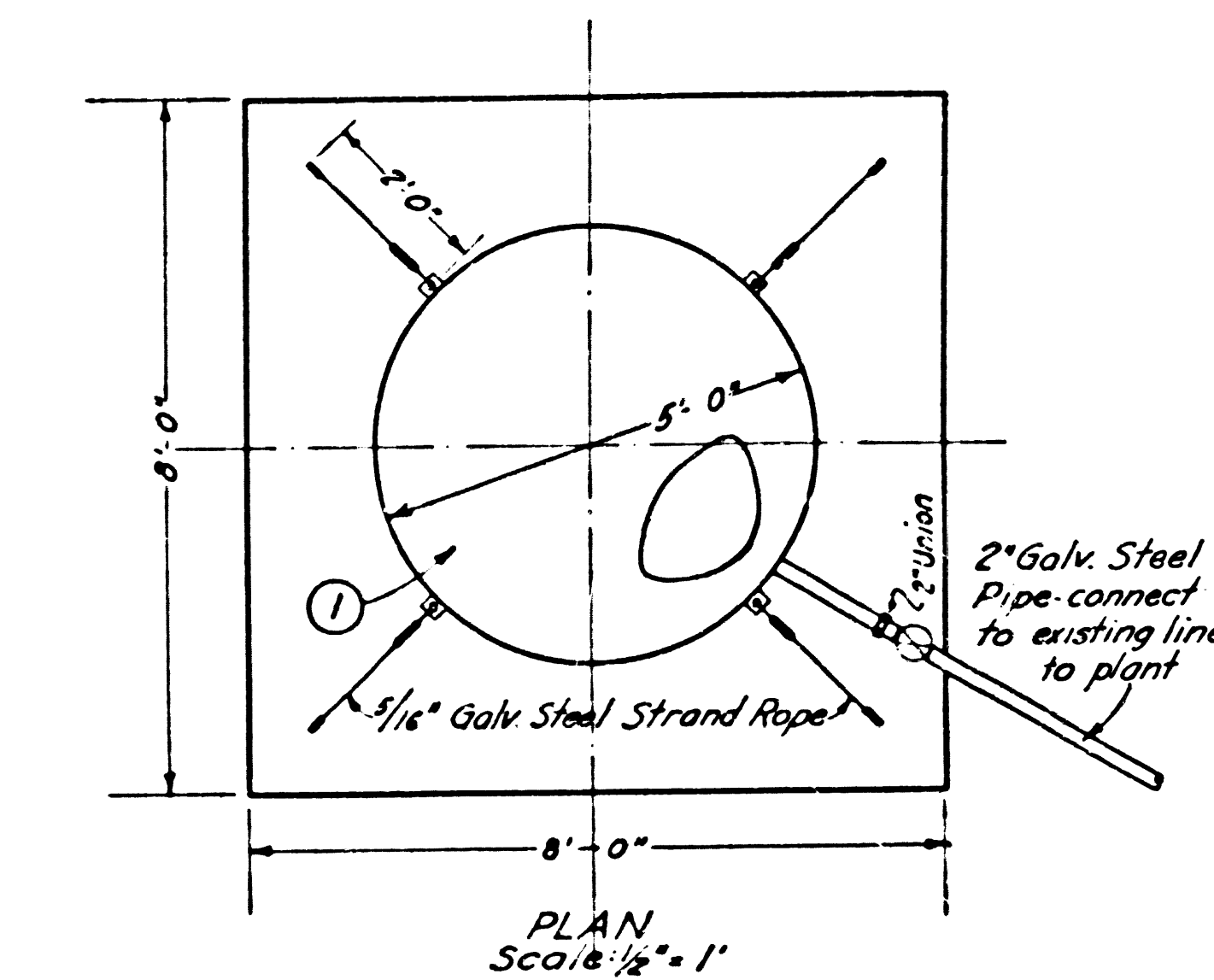
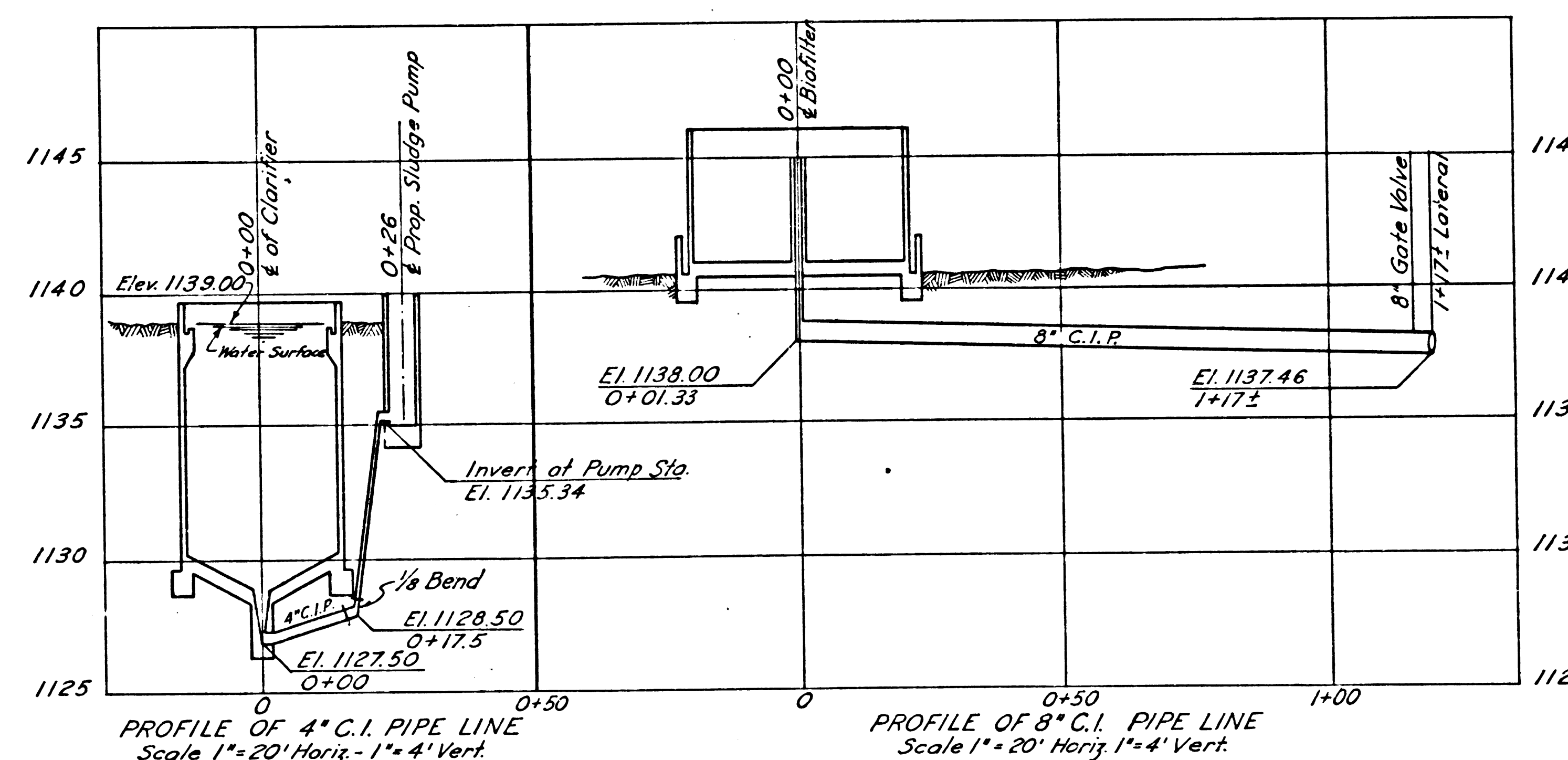


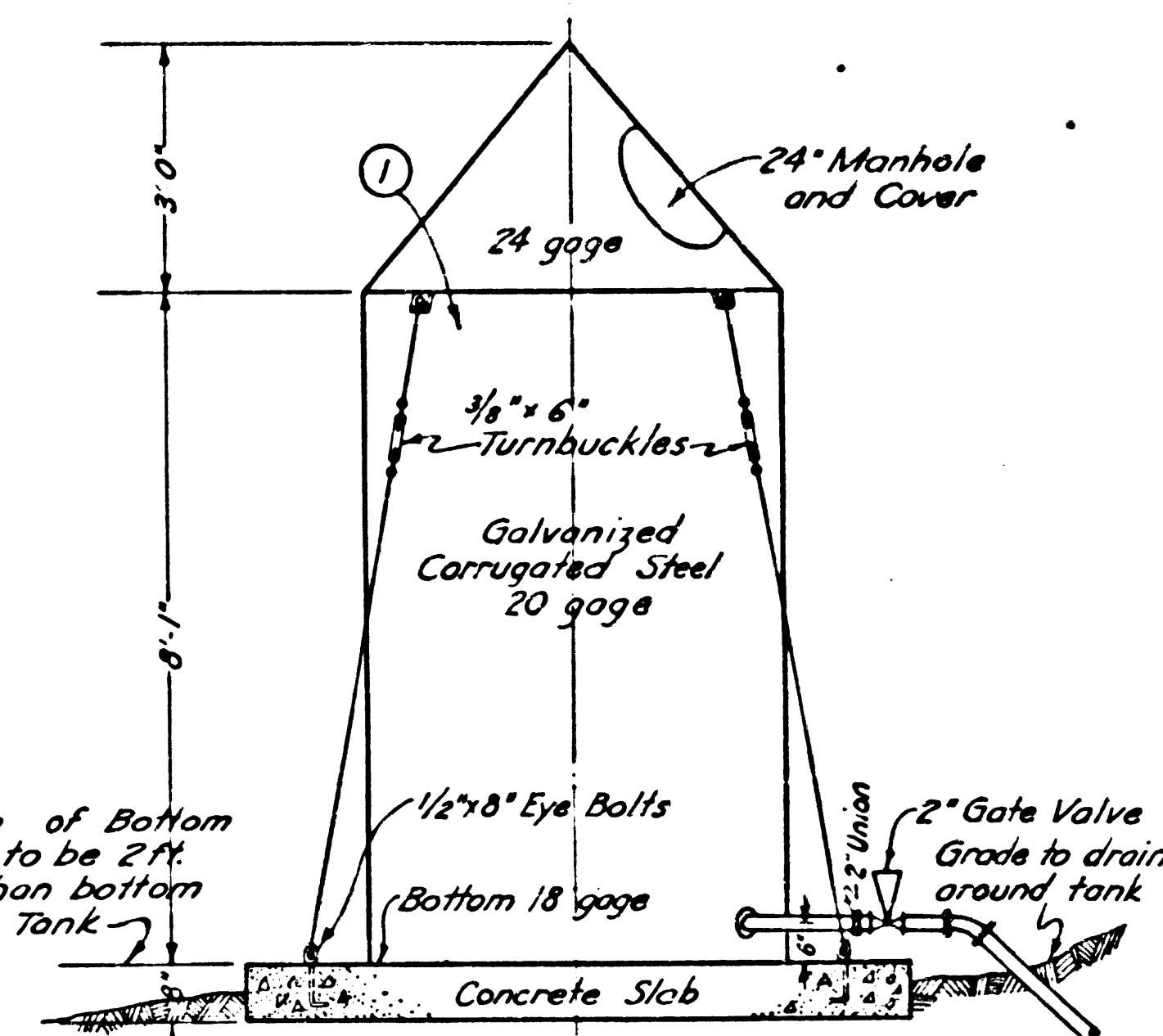
PIPING LAYOUT
Scale 1/8" = 1'-0"



LOCATION PLAN
SHOWING WATER LINE
Scale: 1" = 50'



PLAN
Scale: 1/2" = 1'-0"



ELEVATION
DETAILS OF WATER SUPPLY TANK
Scale: 1/2" = 1'-0"

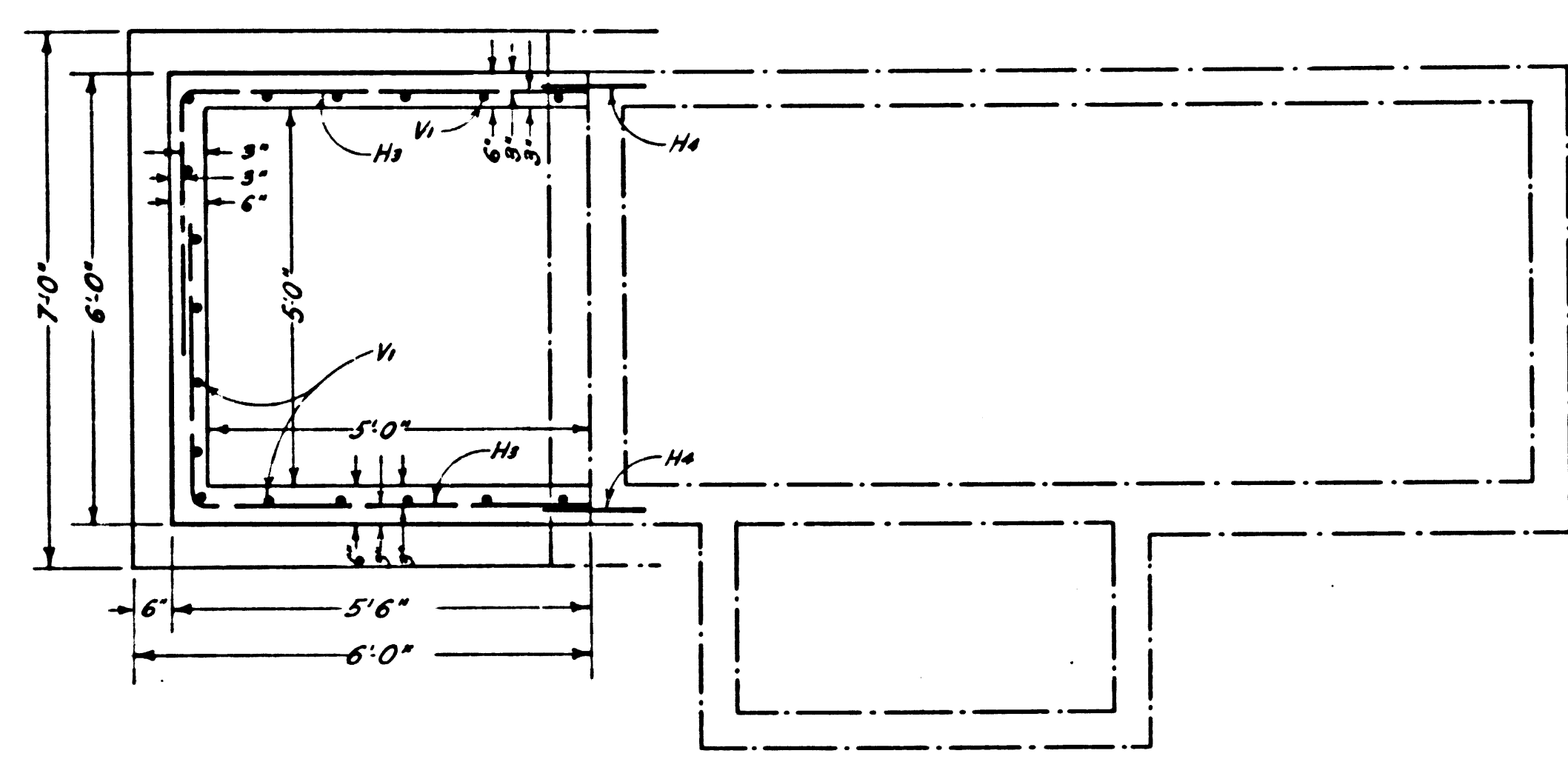
NOTE:
FOR BILL OF MATERIALS
SEE SHEET 6

ADDITIONAL FACILITIES
TO THE
SEWAGE TREATMENT PLANT
AT THE
WAYSIDE HONOR RANCHO
OFFICE OF THE SHERIFF
CASTAIC JUNCTION, CALIFORNIA
CAPITAL PROJECT NO 4089
PIPING LAYOUT

COUNTY OF LOS ANGELES, CALIFORNIA
WILLIAM J. FOX COUNTY ENGINEER

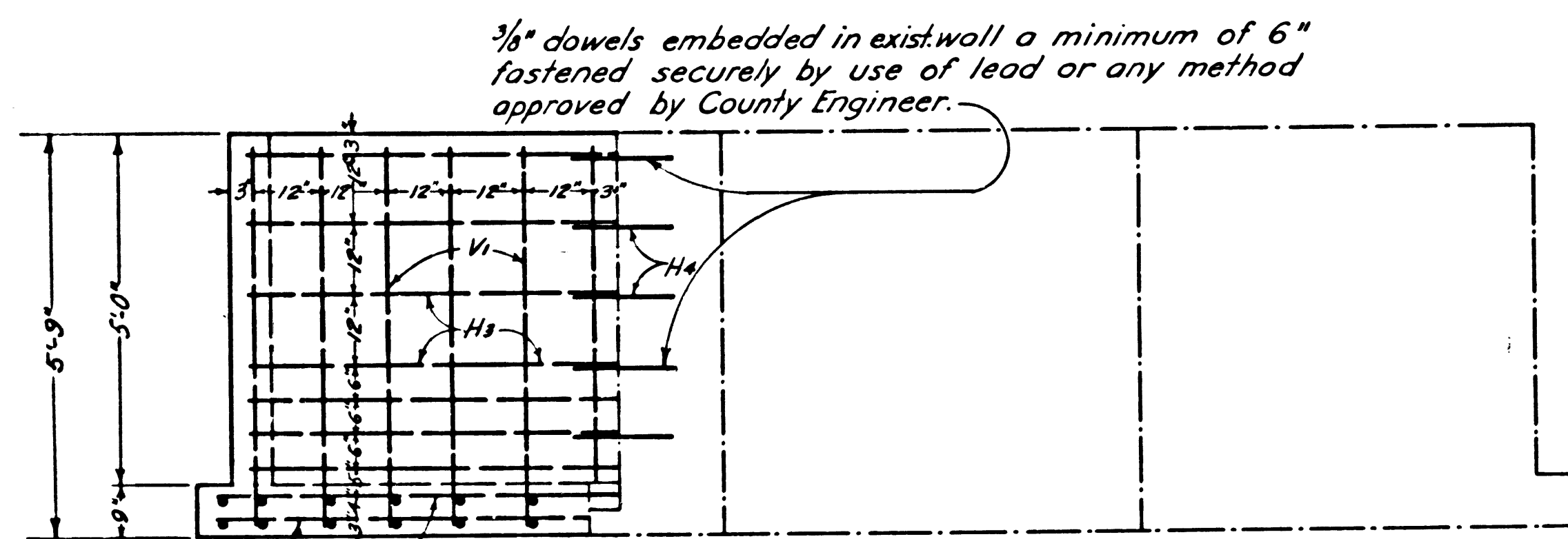
SCALE: AS SHOWN
SUBMITTED: *[Signature]* 2547 SANITATION ENGINEER
APPROVED: *[Signature]* CHIEF SHERIFF
APPROVED: *[Signature]* UNDER-SHERIFF

REFERENCES	REVISIONS	DESIGNED	ZEMAN-TAYLOR
		TRACED	H. NELSON
		CHECKED	MALLERY-KOYAMATSU

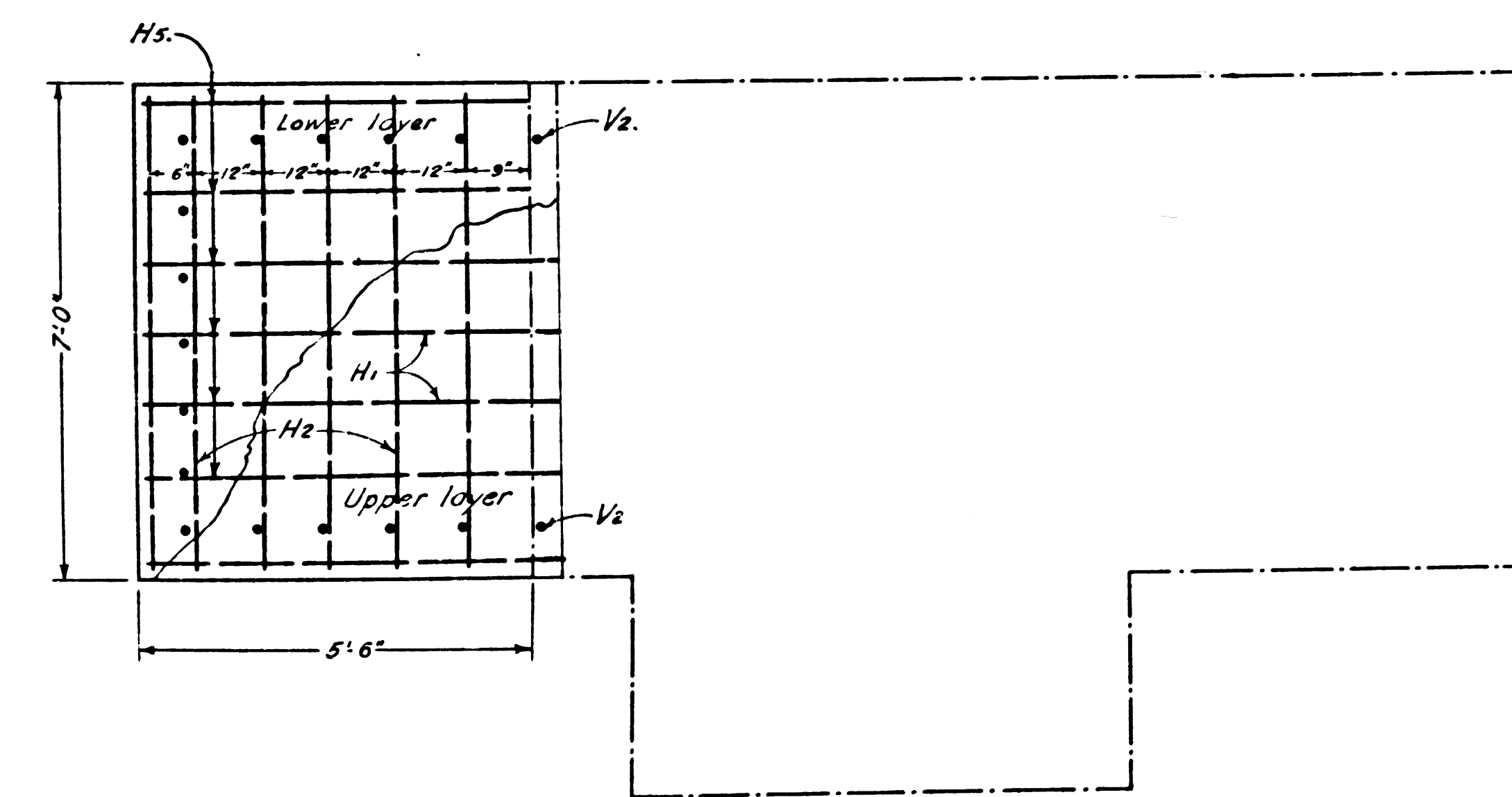


NOTE

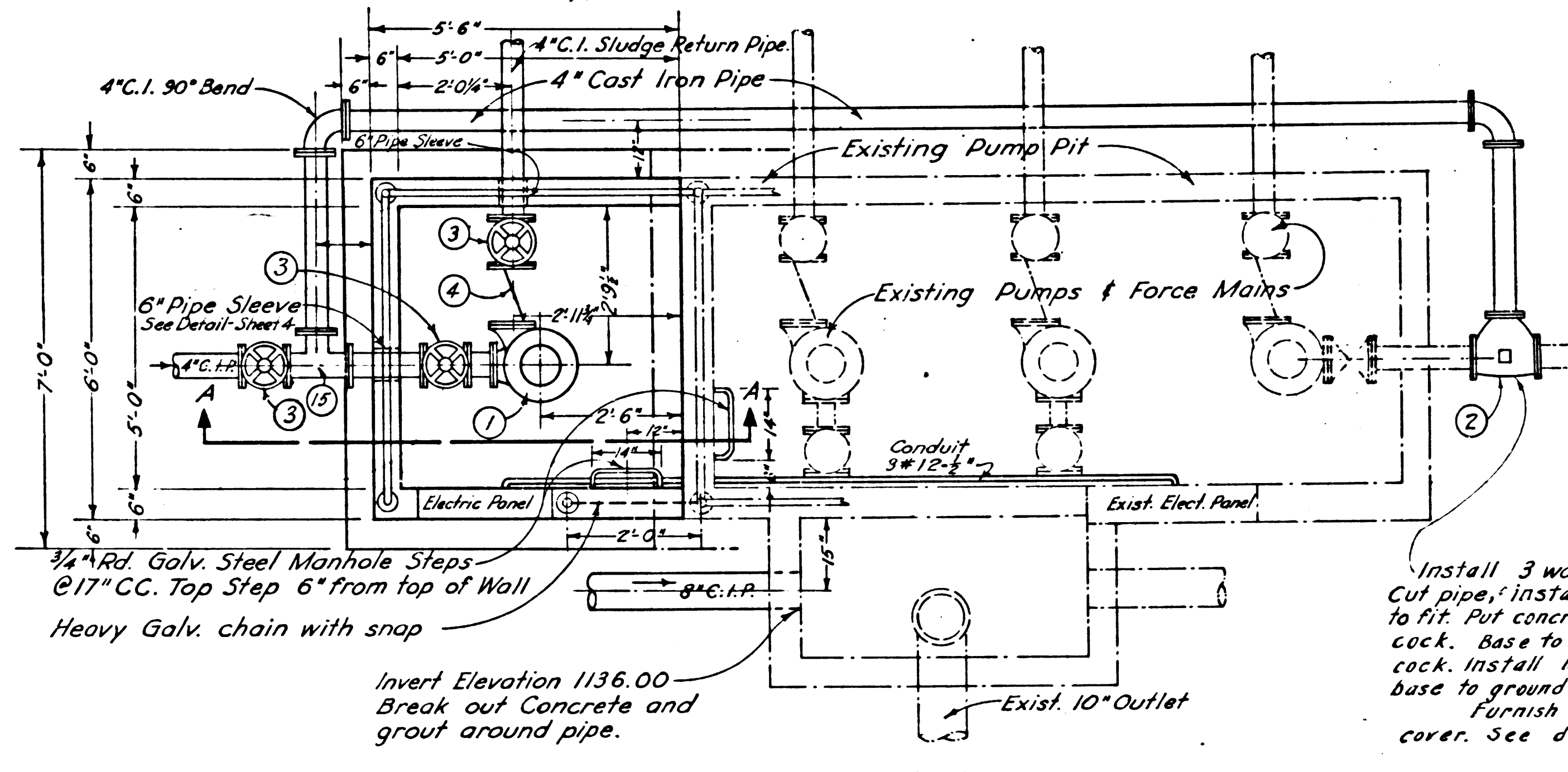
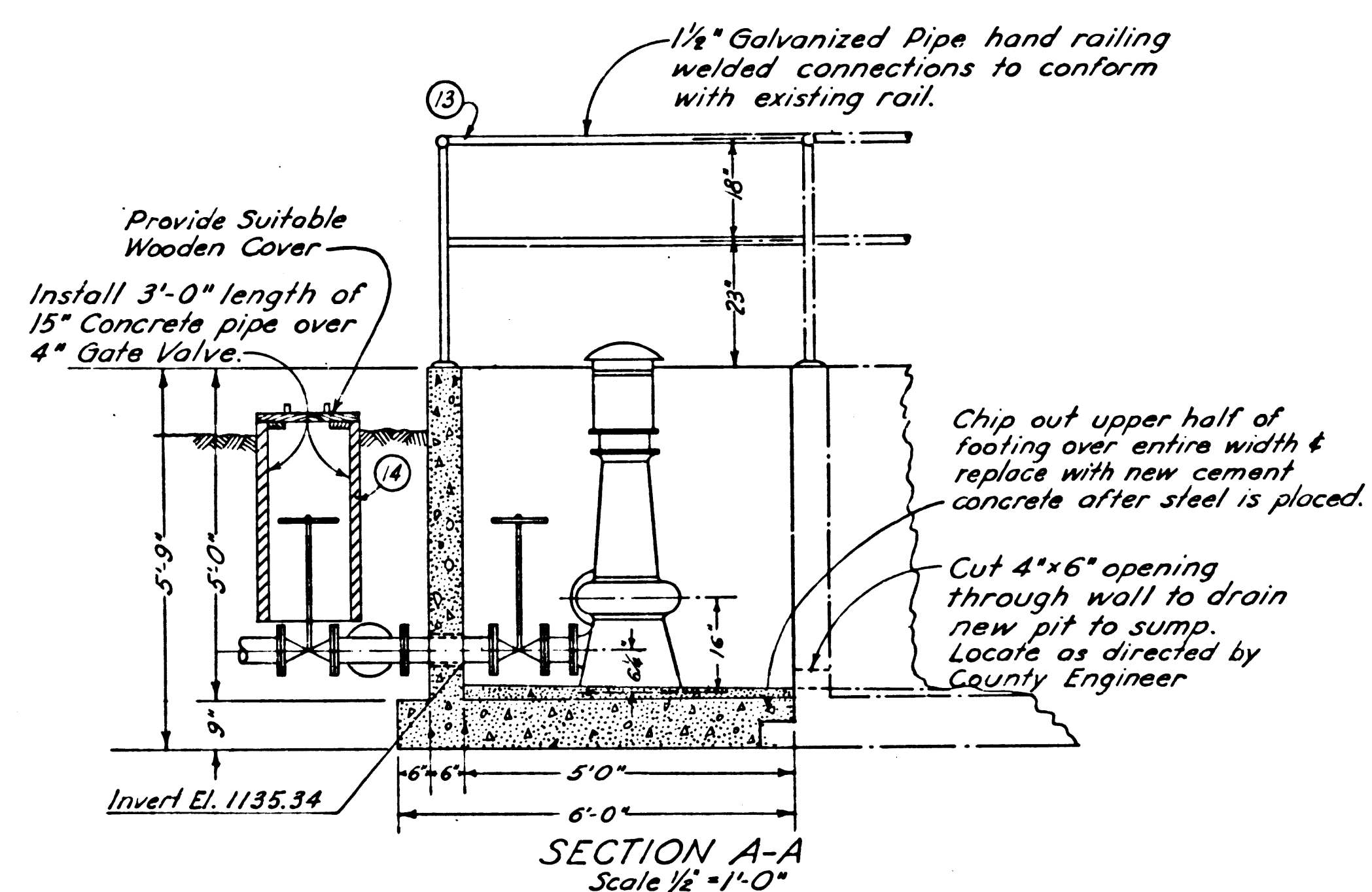
Where new concrete is to be deposited against existing concrete the surface to be bonded shall be thoroughly cleaned and scored. A Cement paste composed of water & cement shall be brushed into the hard surface just before the new concrete is placed.



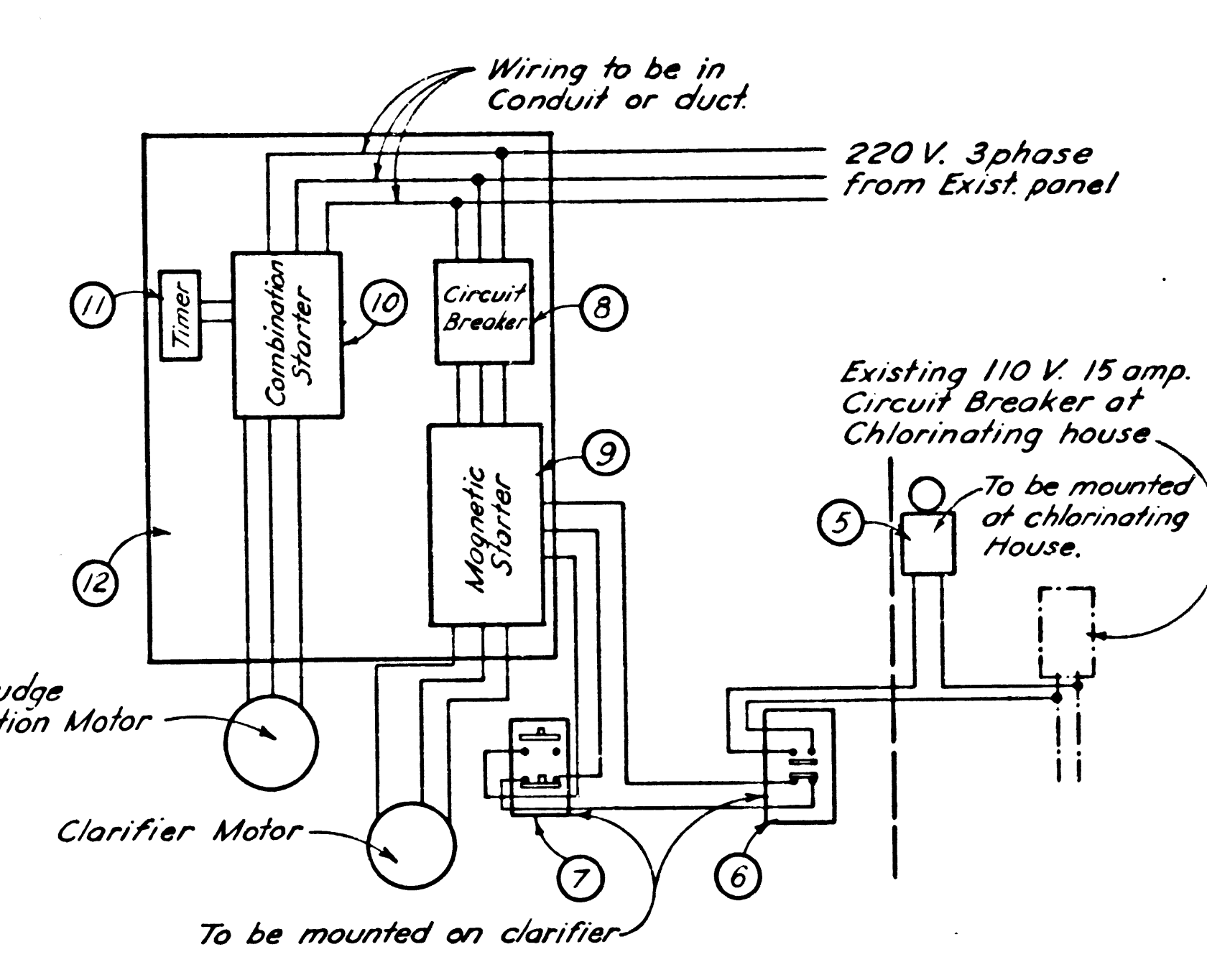
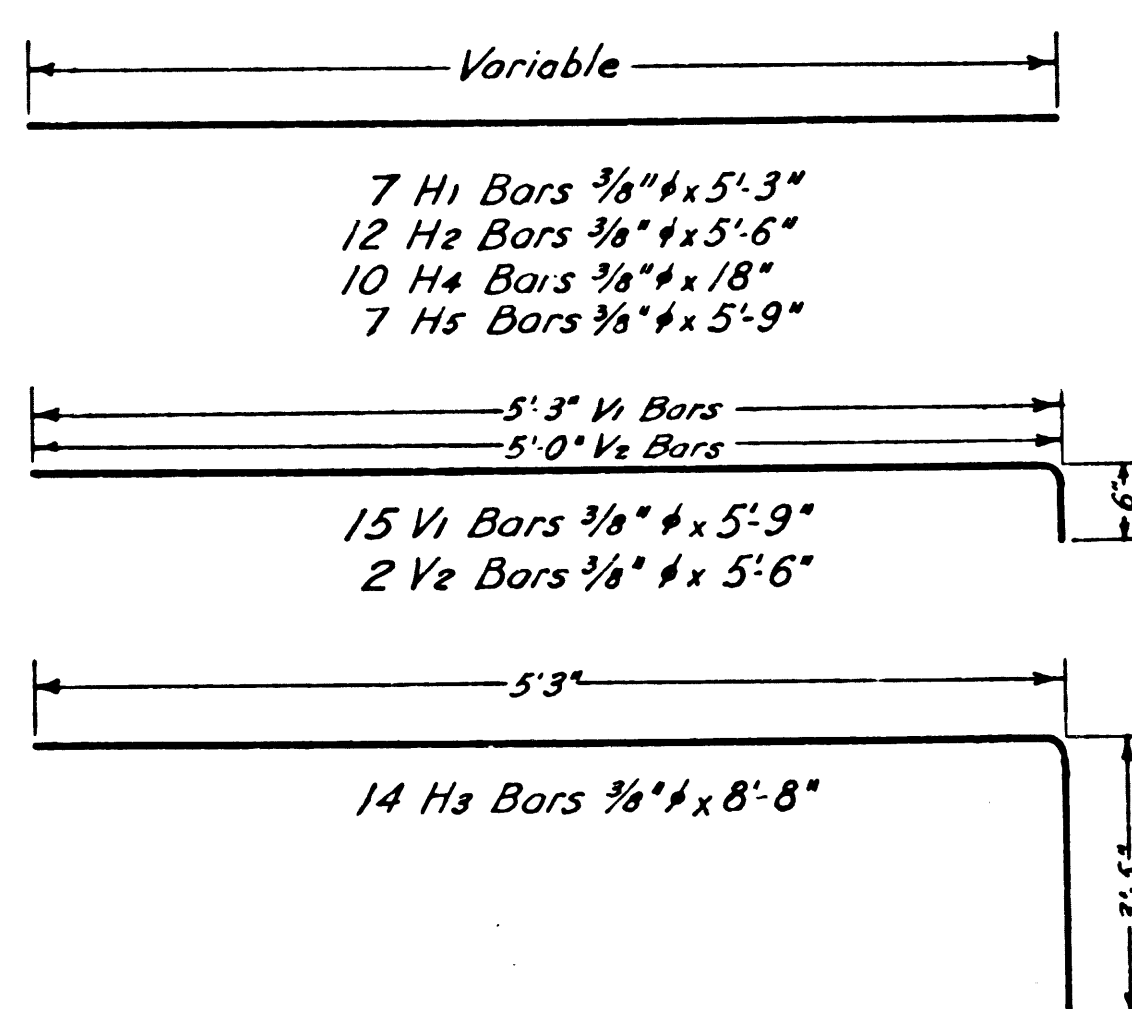
WALL ELEVATION



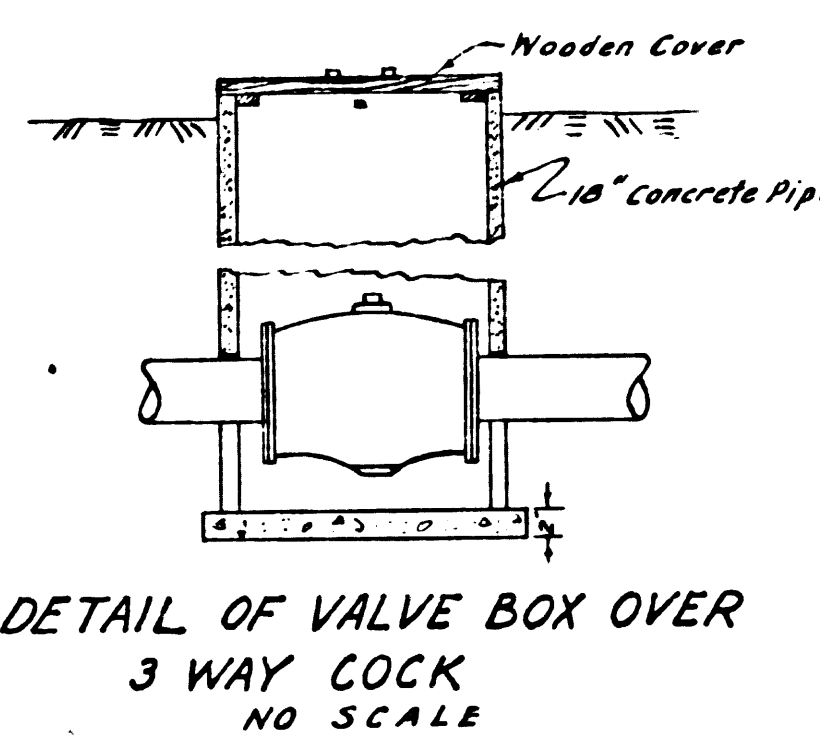
BOTTOM SLAB



PLAN



WIRING DIAGRAM



- BILL OF MATERIALS**
- ① Peerless NCC 4x4x1/2 L Pump with weatherproof 2 H.P 1160 rpm 3 phase 220 Volt motor 175 gpm @ 24' head. Clockwise rotation.
 - ② 1-4" Three-way square head Iron Cock Crane No. 331 or equal. with 5 ft. Tee Wrench.
 - ③ 3-4" Gate Valves flanged OS&Y Crane No. 465 or equal.
 - ④ 1-4" Check Valve Flanged Horizontal Swing Check Crane No. 373 or equal.
 - ⑤ 1-Edwards Electric Co. Vibrating Polarized Monitor Type "Adaptabel" Cat. No. 560 with 6" Gang Weatherproof 110 Volts 60 Cycles (Dorr Co.)
 - ⑥ 1-Overload Alarm Switch Mounted on Mechanism (Dorr Co.)
 - ⑦ 1-Start-Stop Push Button Station Weatherproof Square "D" Co. Class 3001 Type BW 49 (Dorr Co.)
 - ⑧ 1-Circuit Breaker 220V/15 amp 3 pole.
 - ⑨ 1-Magnetic Switch with overload relays and a start-stop push button station in cover Square "D" Co. Class 8536 R G 10 A Size O Type I. (Dorr Co.)
 - ⑩ 1-Combination Starter 220 V. 3phase 2 H.P. Size O Type I Square D Class-8539 B G-1 or equal.
 - ⑪ 1-Time Clock Gen. Electric Type T-27 general purpose Timer 83x949 or equal.
 - ⑫ 1-30"x36"x8" Heavy Sheet metal weatherproof Electric Cabinet with hinged door & lock. Securely anchored to wall of Pump Pit.
 - ⑬ 1 1/2" Galvanized Pipe Hand Railing 14' lin. ft.
 - ⑭ 15" Conc. Pipe (Valve Box) and Cover.
 - ⑮ 4" Cast Iron Tee - 1 only.

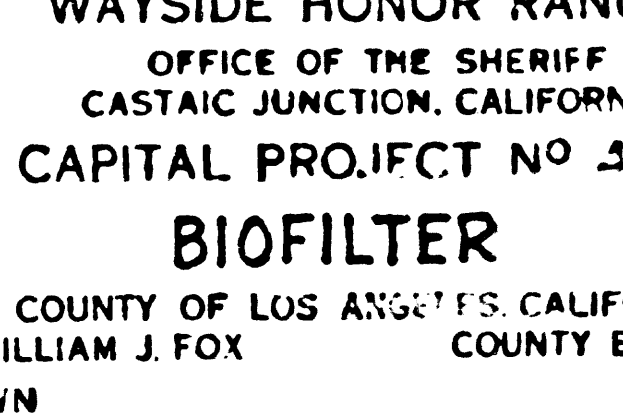
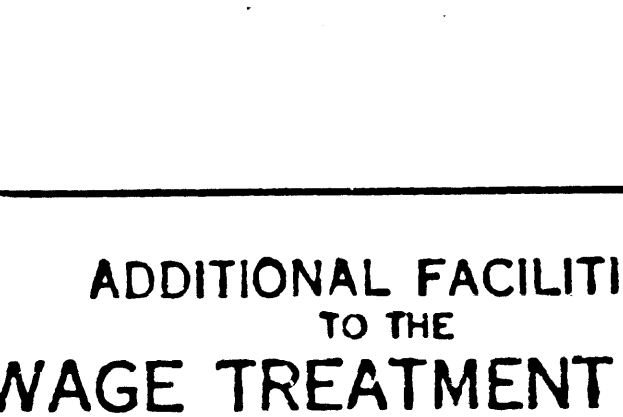
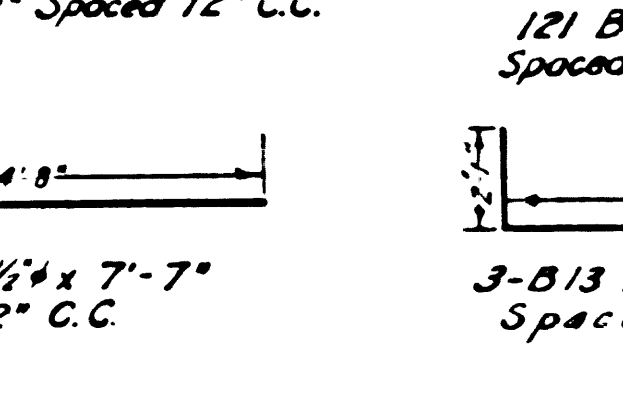
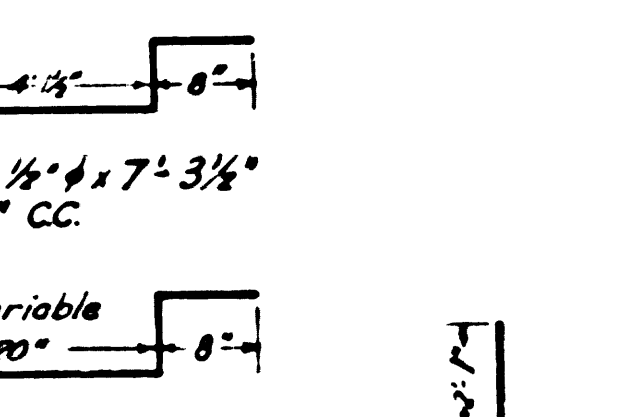
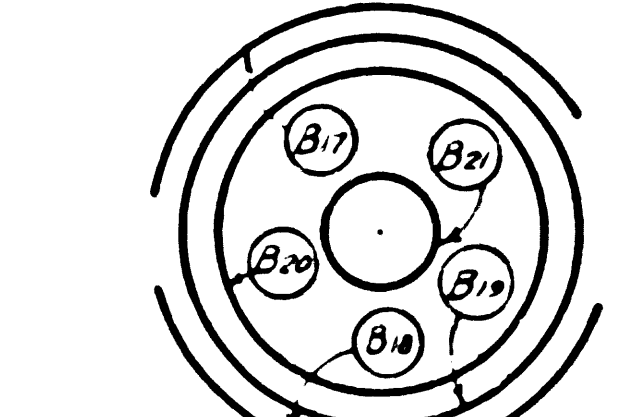
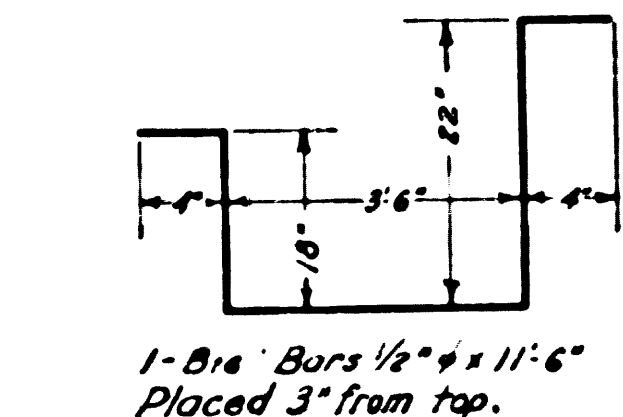
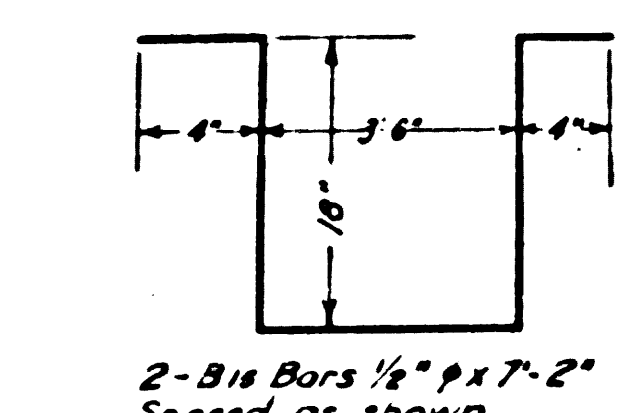
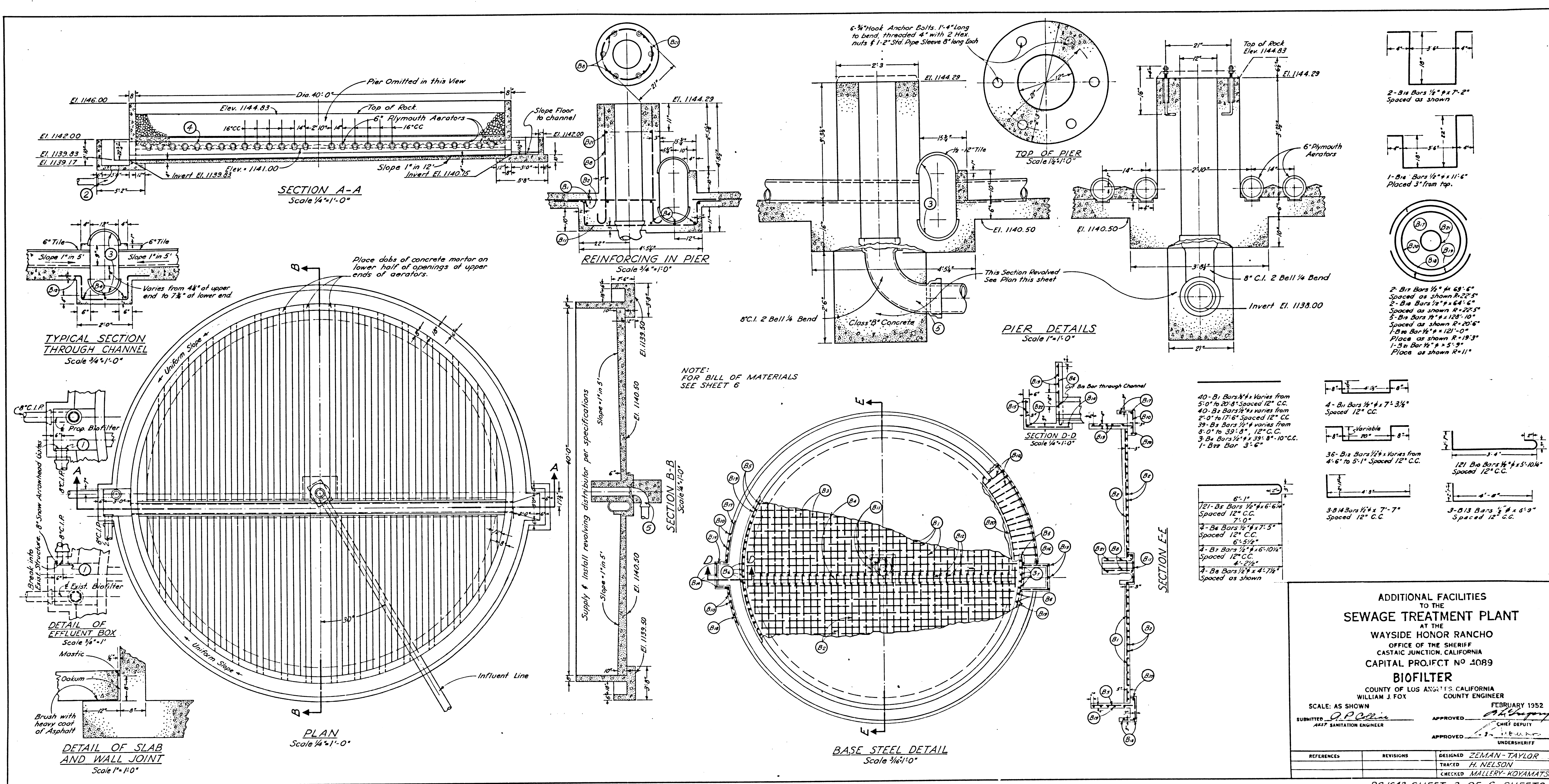
ADDITIONAL FACILITIES
TO THE
SEWAGE TREATMENT PLANT
AT THE
WAYSIDE HONOR RANCHO
OFFICE OF THE SHERIFF
CASTAIC JUNCTION, CALIFORNIA
CAPITAL PROJECT NO 4089
RECIRCULATION PUMP
COUNTY OF LOS ANGELES, CALIFORNIA
WILLIAM J. FOX COUNTY ENGINEER

SCALE: AS SHOWN FEBRUARY 1952

APPROVED: *H. Nelson* CHIEF DEPUTY SHERIFF

APPROVED: *W. J. Fox* COUNTY ENGINEER

REFERENCES	REVISIONS	DESIGNED
		ZEMAN
		TRACED H. NELSON
		CHECKED MALLERY-KOYAMATSU



- 40-Bars 1/2" x 20'-8" Spaced 12" C.C.
- 40-Bars 1/2" x 17'-8" Spaced 12" C.C.
- 39-Bars 1/2" x 12'-10" Spaced 12" C.C.
- 3-Bars 1/2" x 39'-8" Spaced 12" C.C.
- 1-Bar 1/2" x 39'-10" Spaced 12" C.C.
- 1-Bar 1/2" x 3'-6"
- 4-Bars 1/2" x 7'-3 1/2" Spaced 12" C.C.
- 36-Bars 1/2" x 5'-1" Spaced 12" C.C.
- 121-Bars 1/2" x 5'-10 1/4" Spaced 12" C.C.
- 3-Bars 1/2" x 6'-9" Spaced 12" C.C.

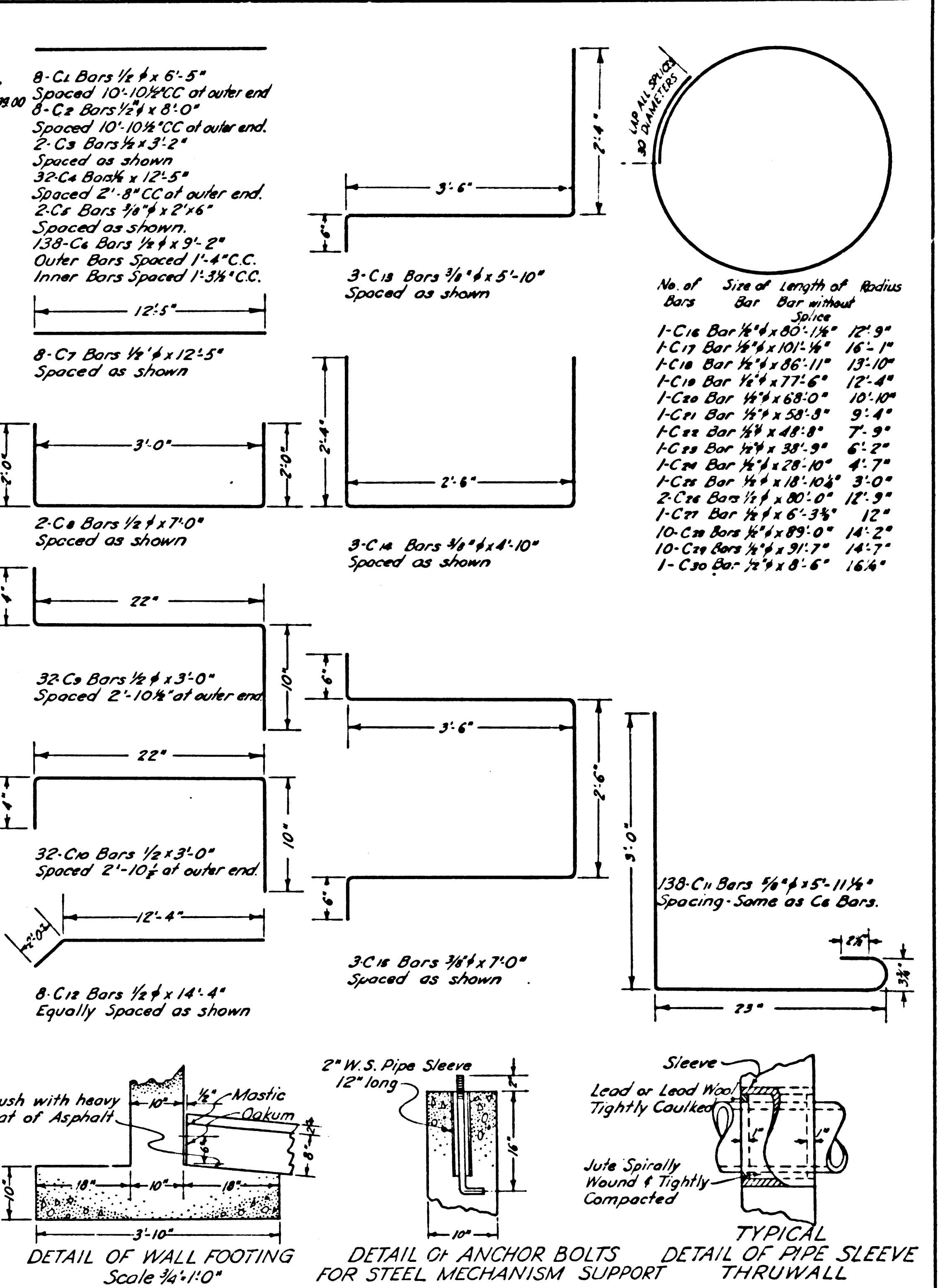
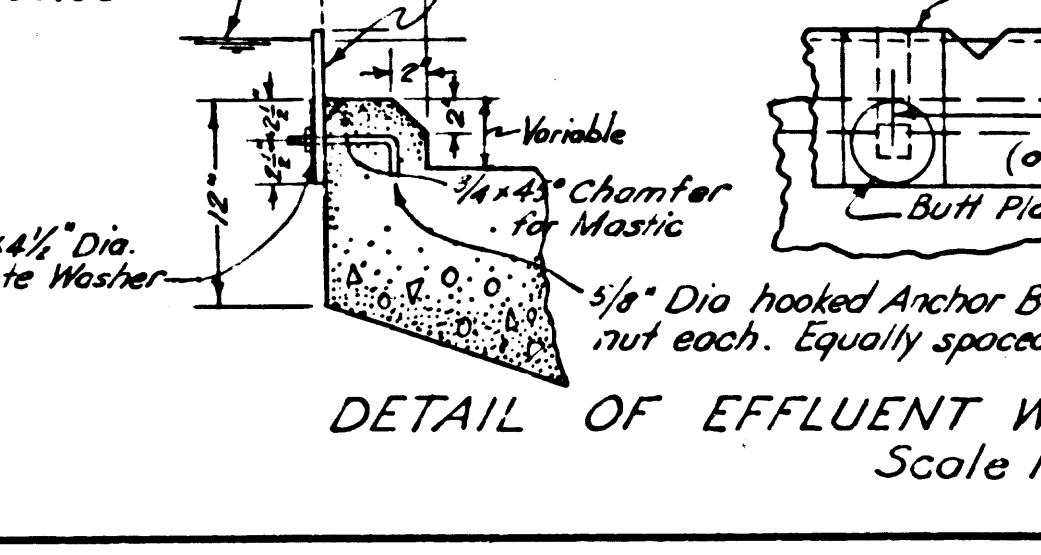
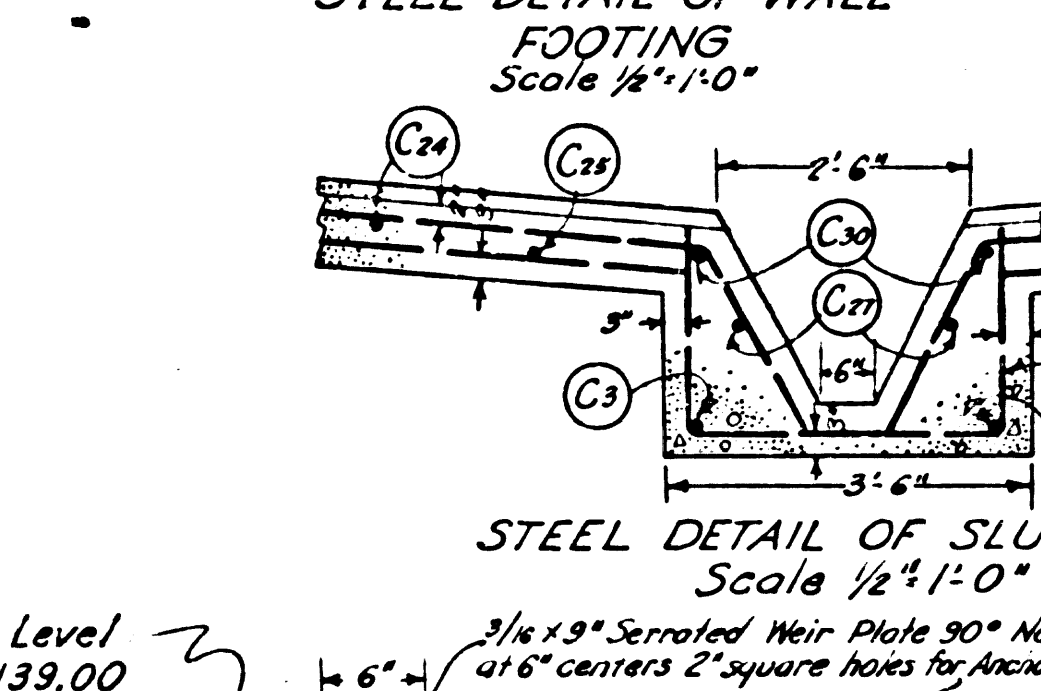
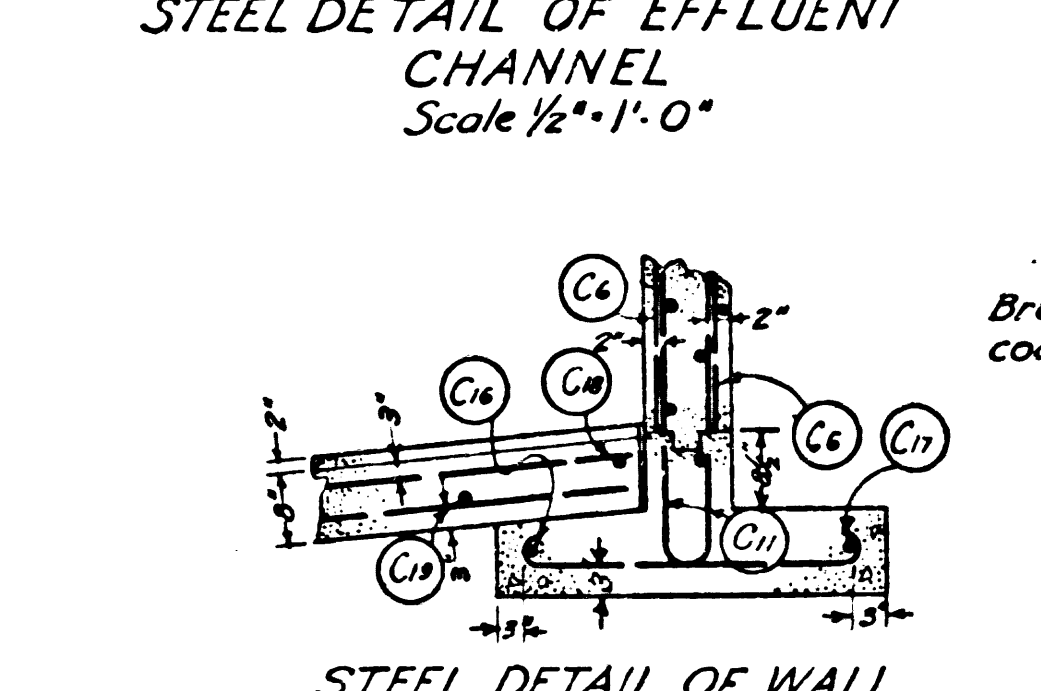
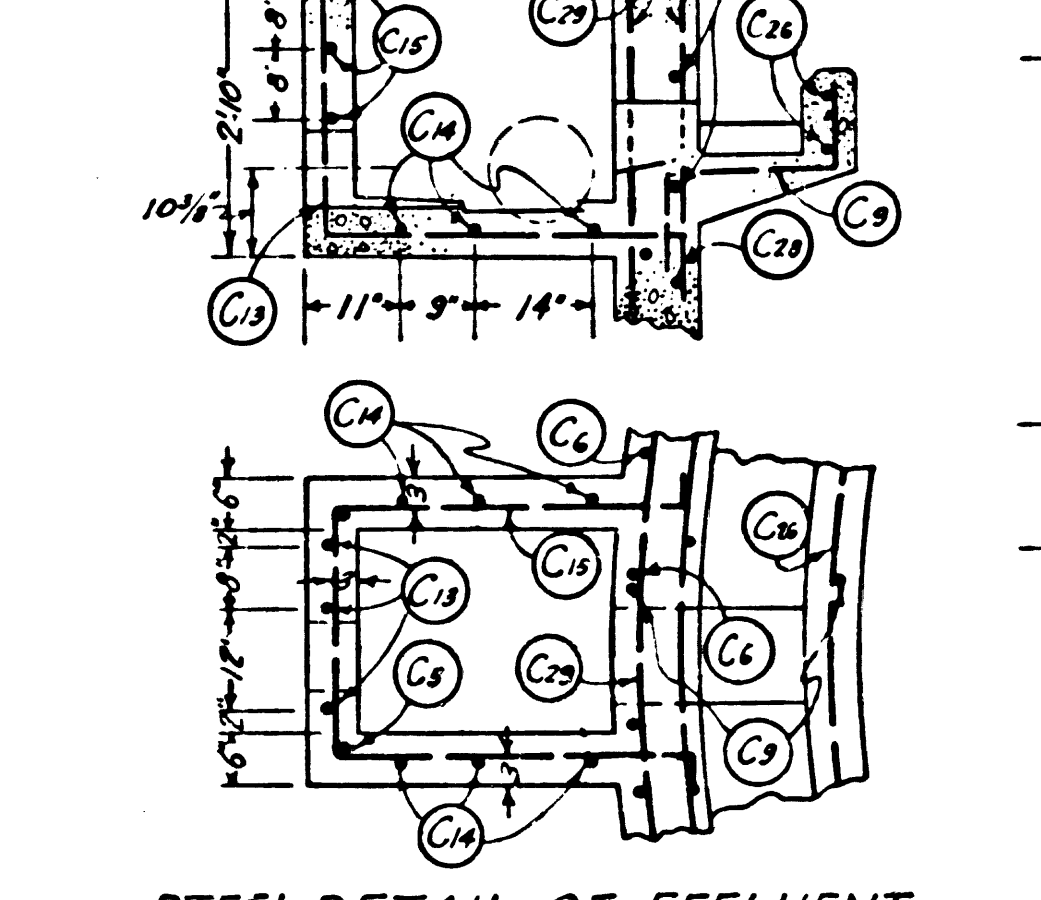
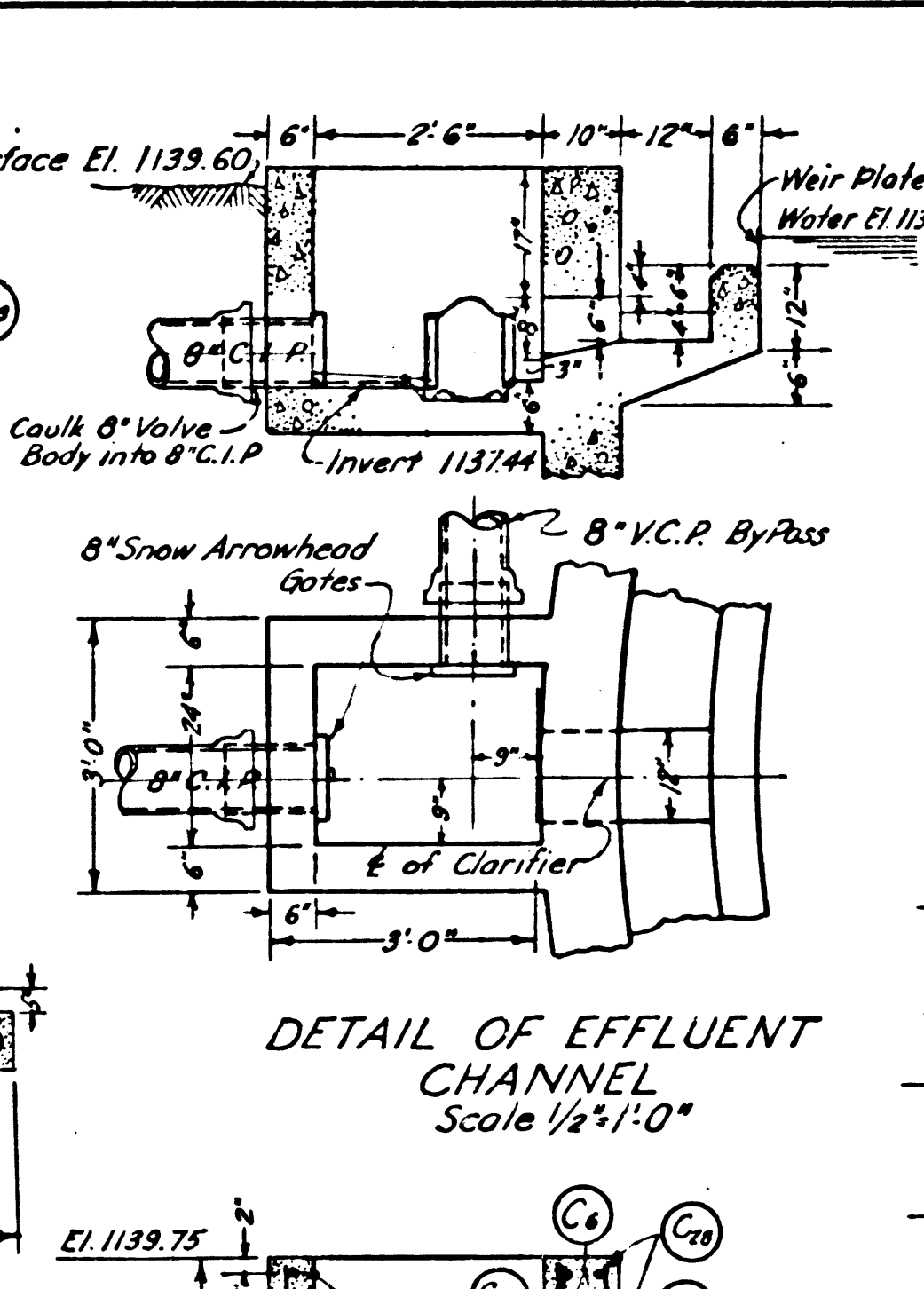
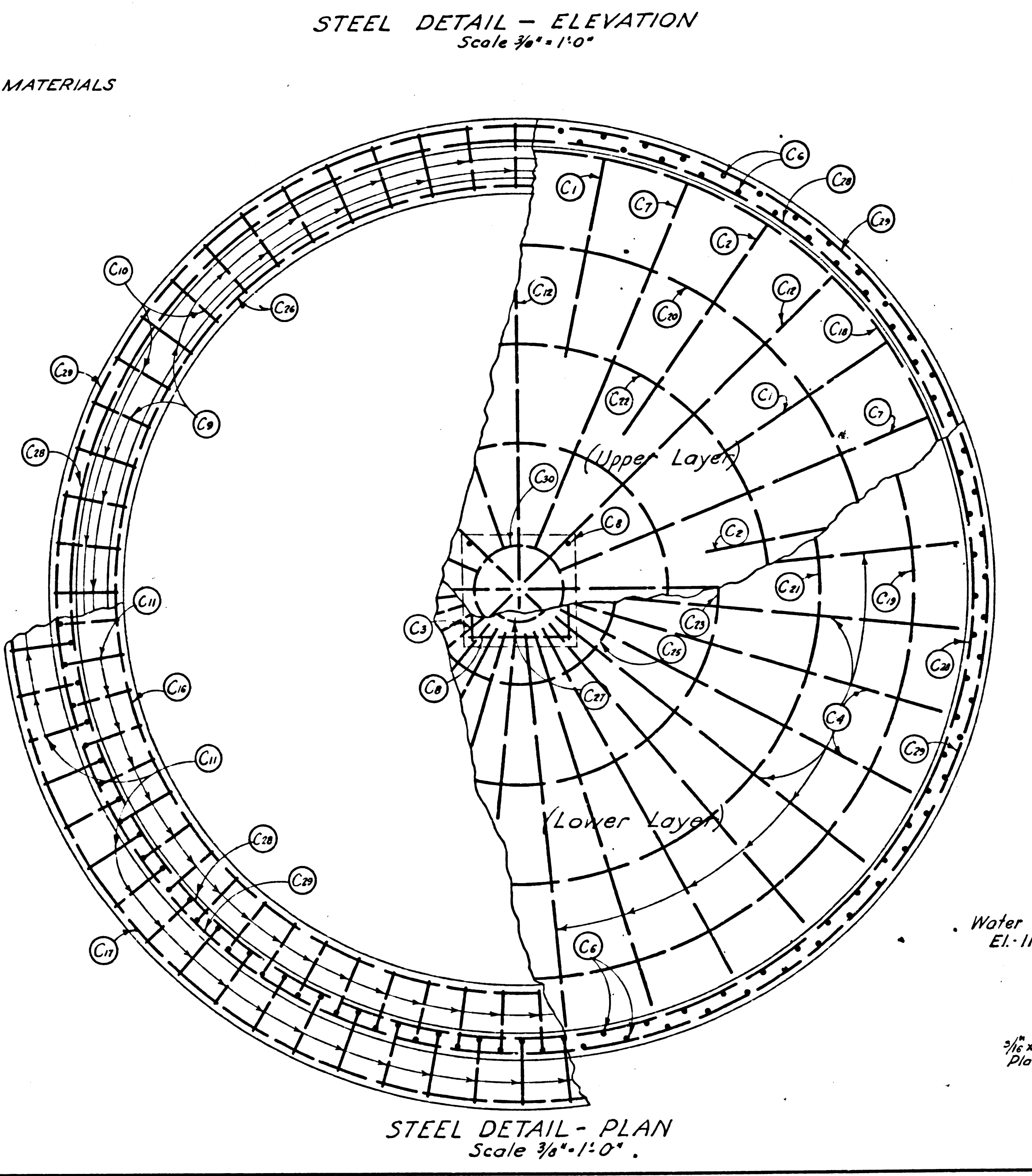
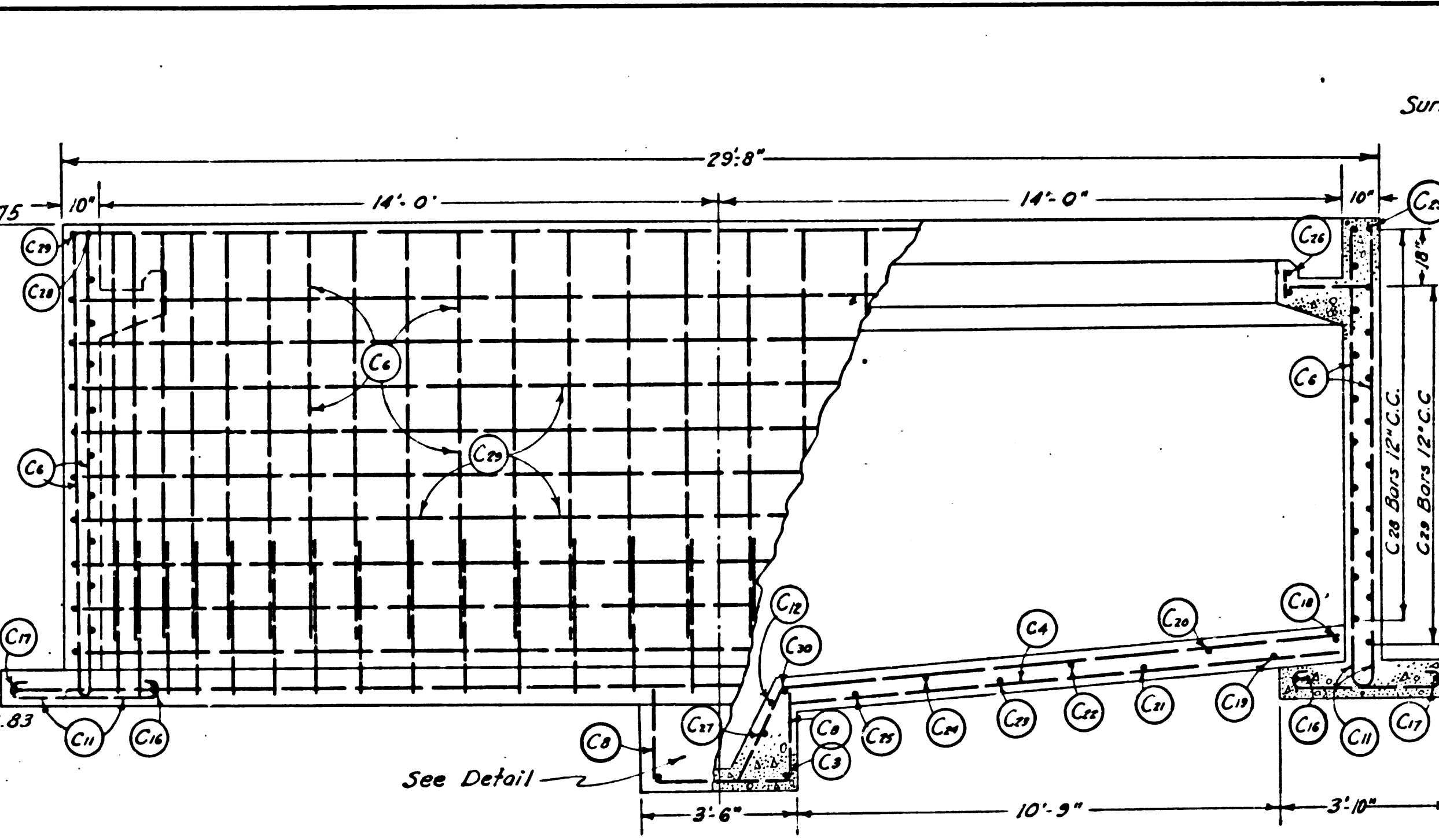
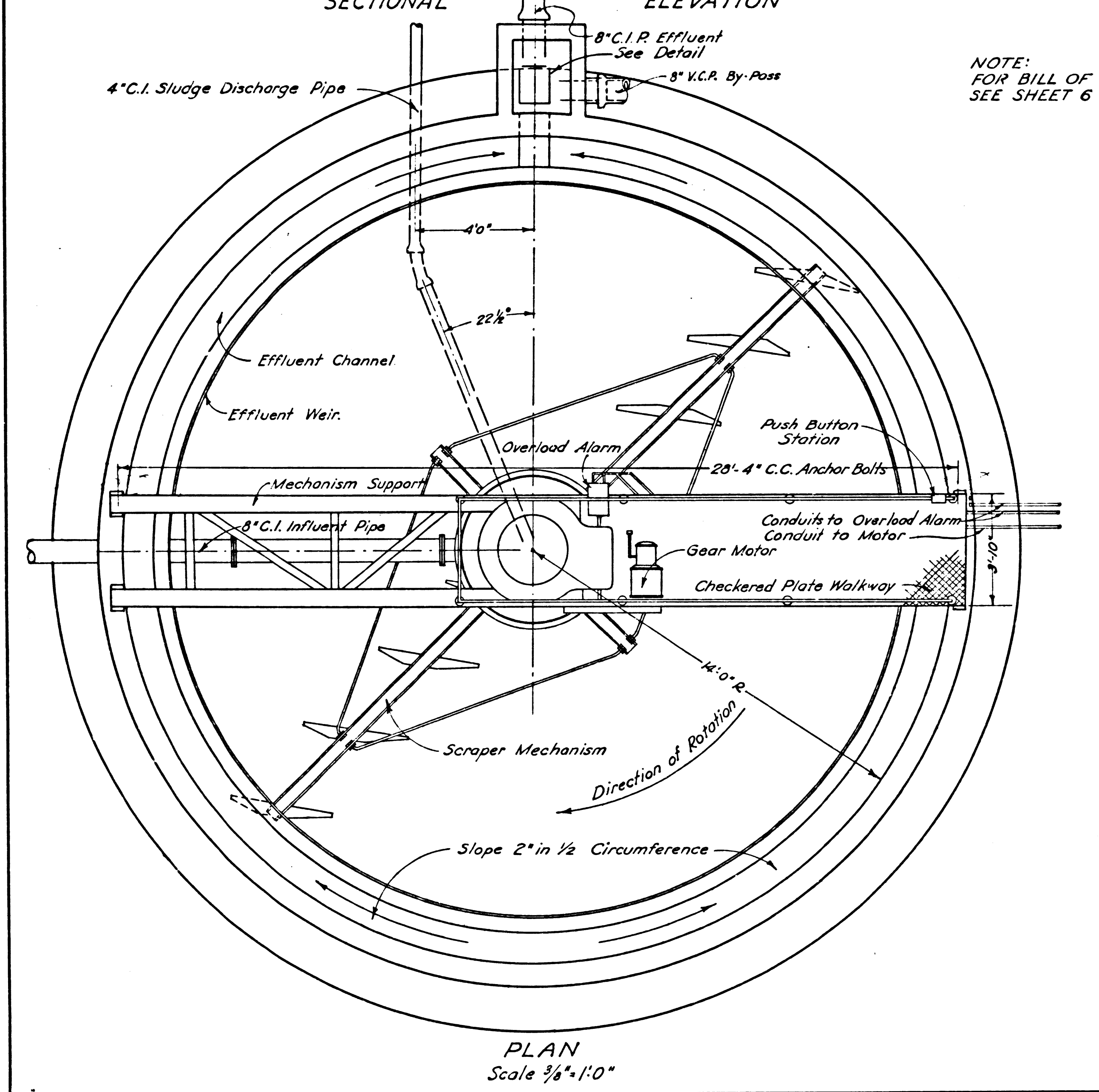
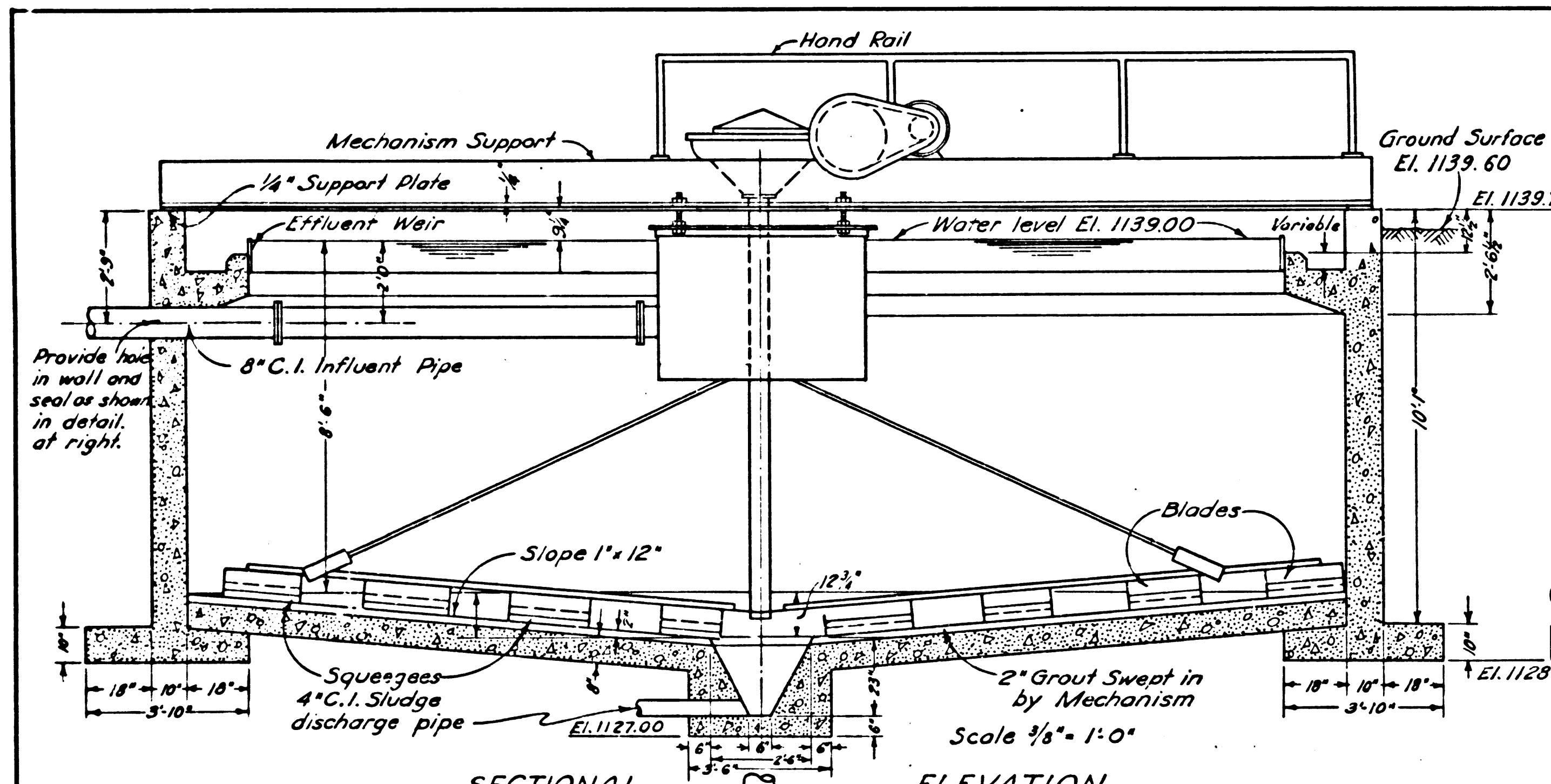
ADDITIONAL FACILITIES
TO THE
SEWAGE TREATMENT PLANT
AT THE
WAYSIDE HONOR RANCHO
OFFICE OF THE SHERIFF
CASTAIC JUNCTION, CALIFORNIA
CAPITAL PROJECT NO 4089
BIOFILTER
COUNTY OF LOS ANGELES, CALIFORNIA
WILLIAM J. FOX COUNTY ENGINEER

SCALE: AS SHOWN
SUBMITTED: J.P. Collins
S&P SANITATION ENGINEER

FEBRUARY 1952
APPROVED: H. Nelson
CHIEF DEPUTY
APPROVED: [Signature]
UNDERSHERIFF

REFERENCES	REVISIONS	DESIGNED
		ZEMAN-TAYLOR
		TRAFER
		MALLERY-KOYAMATSU

PC.1643 SHEET 3 OF 6 SHEETS



NOTE:
FOR BILL OF MATERIALS
SEE SHEET 6

**ADDITIONAL FACILITIES
TO THE
SEWAGE TREATMENT PLANT
AT THE
WAYSIDE HONOR RANCHO**

OFFICE OF THE SHERIFF
CASTAIC JUNCTION, CALIFORNIA
CAPITAL PROJECT NO 4089

CLARIFIER NO

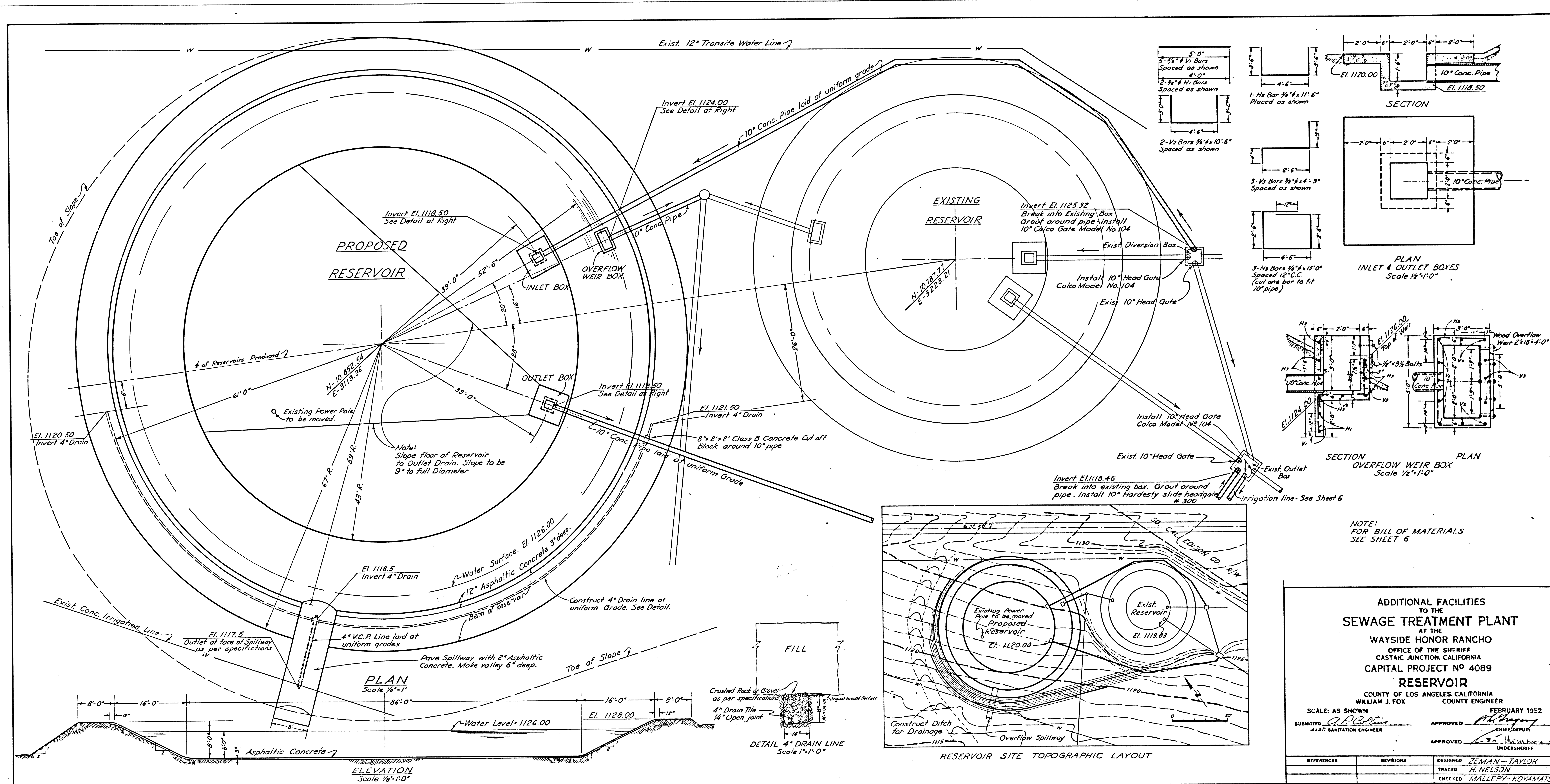
COUNTY OF LOS ANGELES, CALIFORNIA
WILLIAM J. FOX COUNTY ENGINEER

SCALE: AS SHOWN
SUBMITTED: *A.P. Collins*
ASSISTANT ENGINEER

FEBRUARY 1982
APPROVED: *William J. Fox*
CHIEF DEPUTY
SHERIFF

DESIGNED: ZEMAN-TAYLOR
TRACED: H. NELSON
CHECKED: MALLERY-KOHAMATSU

REFERENCES: REVISIONS: CHECKED: MALLERY-KOHAMATSU



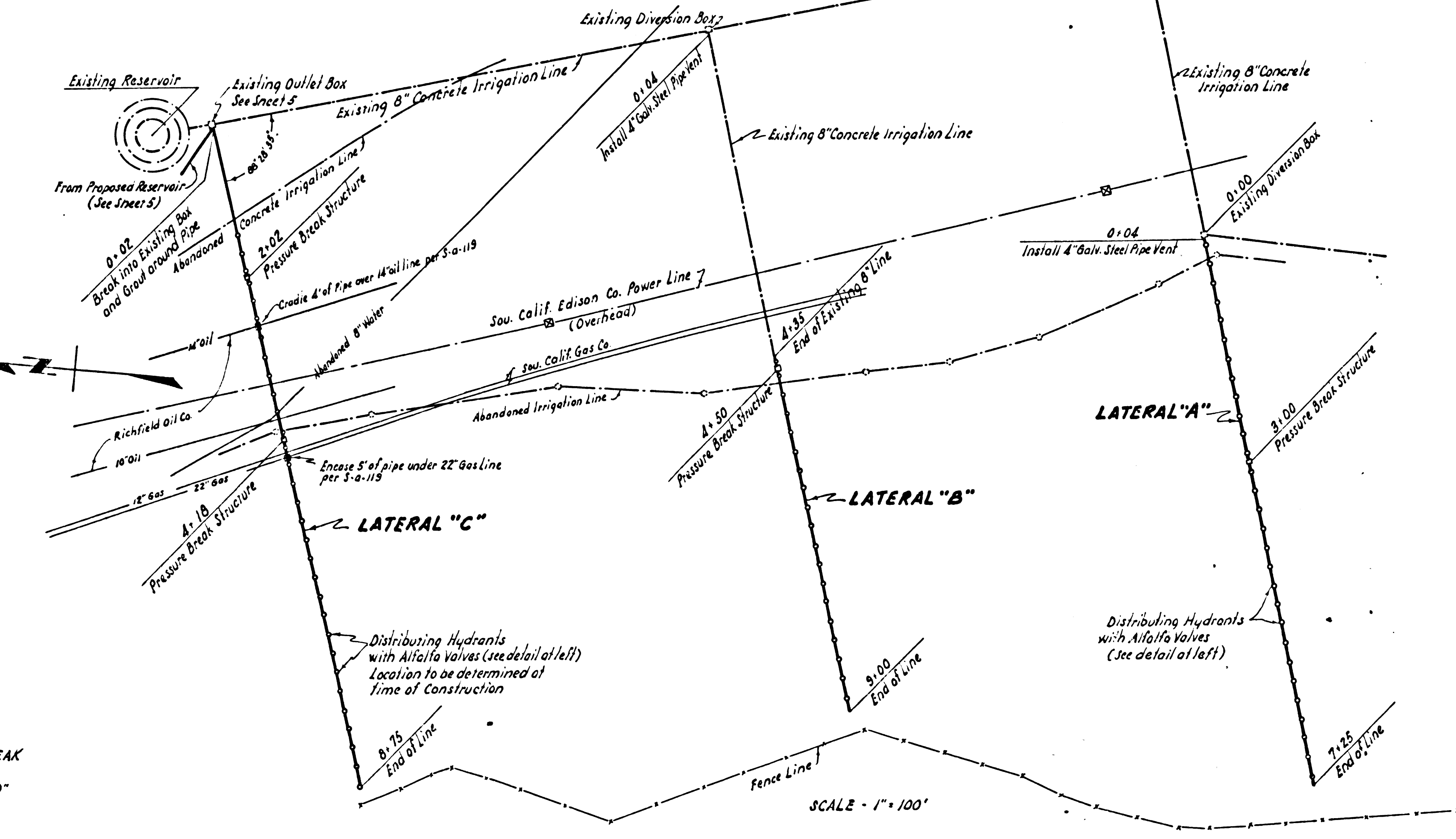
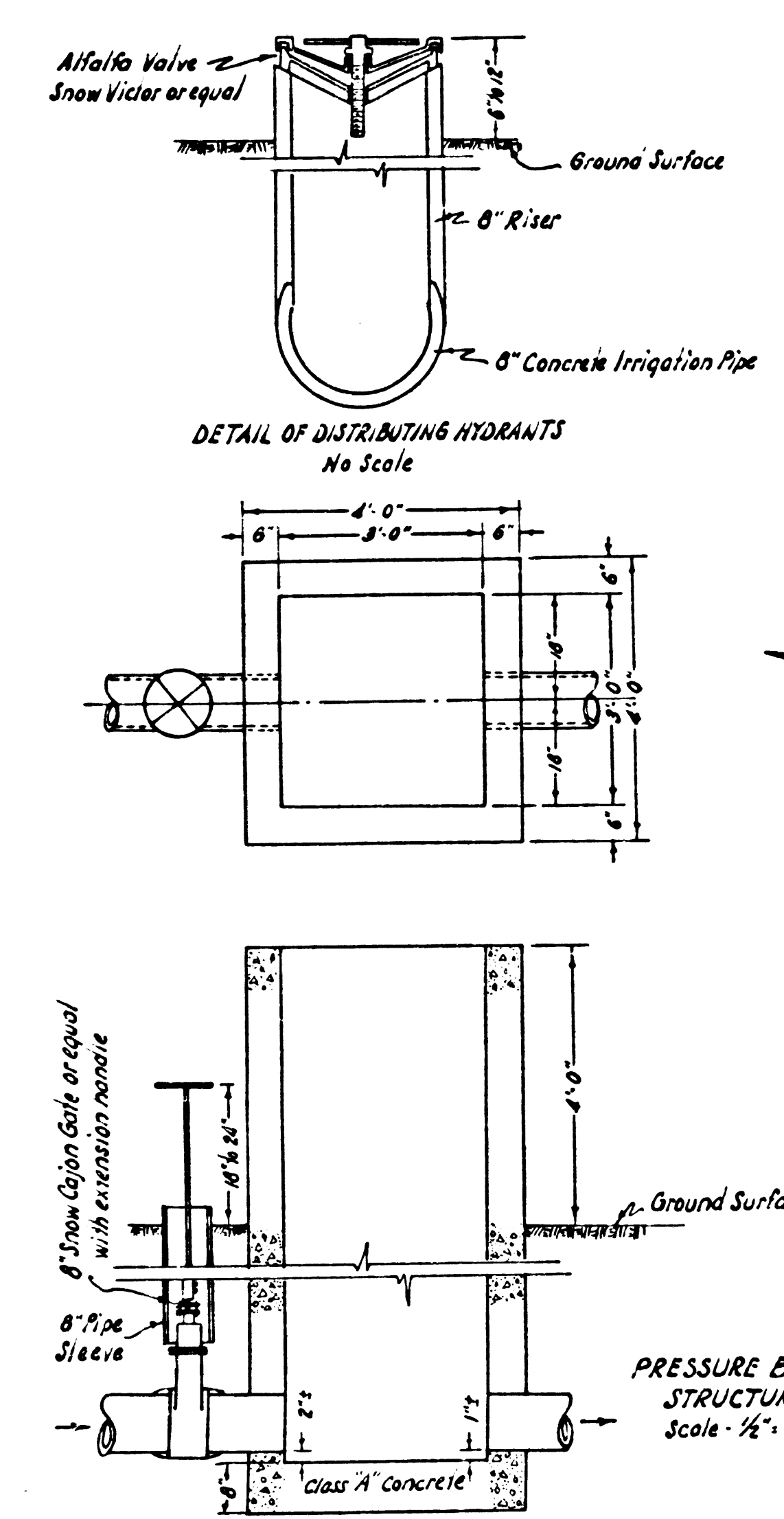
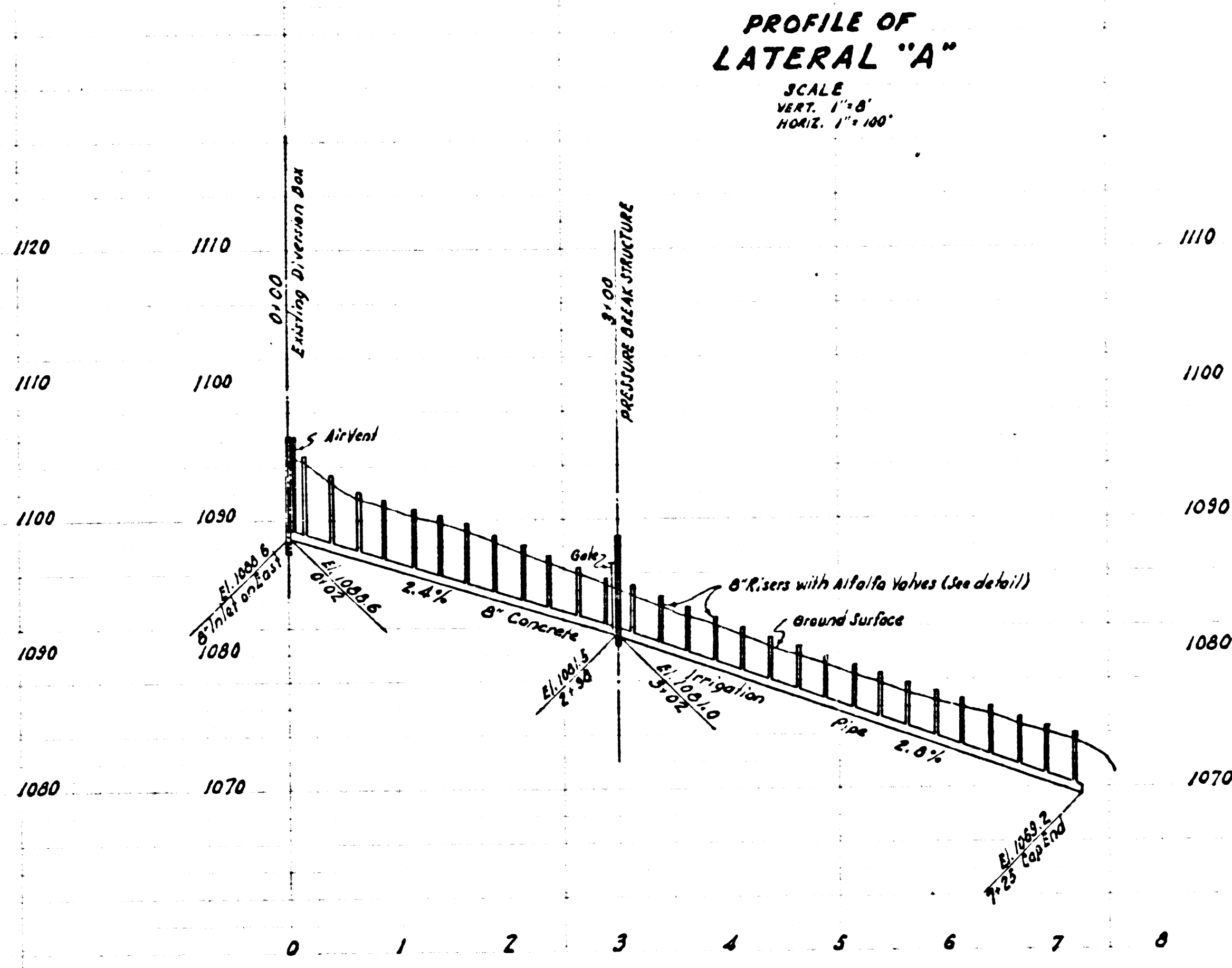
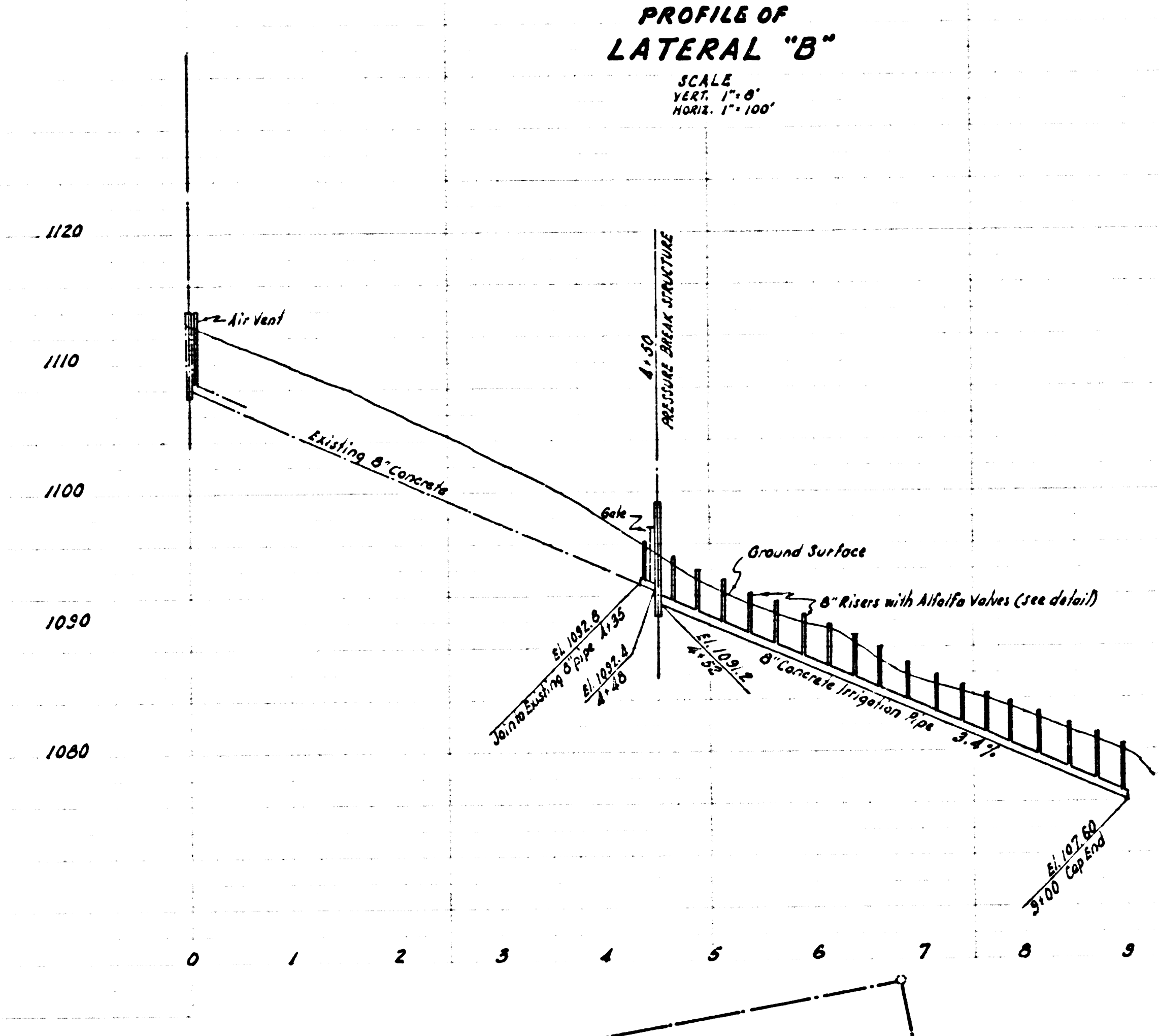
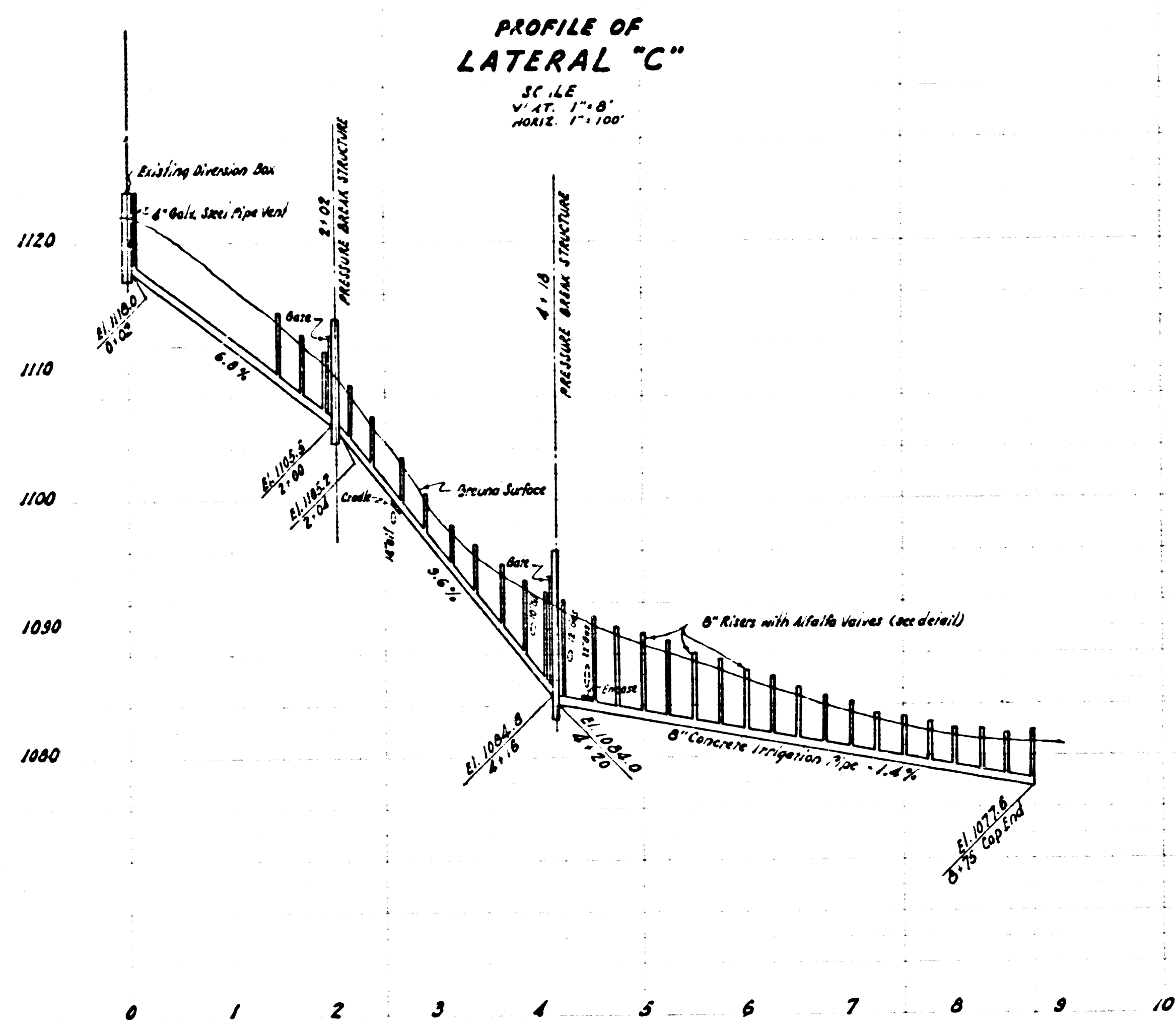
NOTE:
FOR BILL OF MATERIALS
SEE SHEET 6.

**ADDITIONAL FACILITIES
TO THE
SEWAGE TREATMENT PLANT
AT THE
WAYSIDE HONOR RANCHO**

OFFICE OF THE SHERIFF
CASTAIC JUNCTION, CALIFORNIA
CAPITAL PROJECT NO 4089
RESERVOIR
COUNTY OF LOS ANGELES, CALIFORNIA
WILLIAM J. FOX COUNTY ENGINEER

SCALE: AS SHOWN
SUBMITTED: *[Signature]* #237 SANITATION ENGINEER
APPROVED: *[Signature]* #222 UNDER-SHERIFF
FEBRUARY 1952

REFERENCES	REVISIONS	DESIGNED
		ZEMAN - TAYLOR
		TRACER H. NELSON
		CHECKED MALLERY - KOYAMATSU



BILL OF MATERIALS

INSTRUCTION TO BIDDERS
THE BILL OF MATERIALS IS SUBMITTED TO ASSIST THE CONTRACTOR IN MAKING HIS BID. THE BIDDER MUST SATISFY HIMSELF BY PERSONAL EXAMINATION OF THE PLANS AND SPECIFICATIONS AS TO THE CORRECTNESS OF THE BILL OF MATERIALS AND SHALL NOT HOLD THE COUNTY RESPONSIBLE FOR ANY OMISSIONS OR ERRORS THAT MAY BE CONTAINED THEREIN.

SHEET 1		SHEET 2 (Cont'd)	
1	Water Supply Tank - J.F. National or equal	1	Time Clock Gen. Elec. Type T-27 general purpose
2	2" Galv. Steel Pipe and Fittings	2	Timer 30-343 or equal
3	2" Gate Valves - Crane #440 with lock shield and key or equal	3	30" x 36" x 8" Heavy Street Metal weatherproof Electric Cabinet with hinged door & lock securely anchored to wall/pump pit
4	8" Cast Iron Pipe	4	1 1/2" Galv. Pipe Hand Rolling
5	8" x 1/2" Bends - Bell and Spigot	5	13" Conc. Pipe (Valve Box) and Cover
6	8" x 6" x 6" Lateral	6	4" Cast Iron Tee
7	8" C.I. Gate Valve - Crane #463 or equal with square operating and Tee Wrench	7	Reinforced Concrete
8	4" Cast Iron Pipe	8	Reinforced Concrete
9	4" Cast Iron 1/2" Bend Flanged	9	8" Snow Arrowhead Gate #163 or equal
10	4" Cast Iron 1/2" Bend Bell & Spigot	10	8" C.I. Long Radius 1/4 Bend Bell & Spigot
11	4" Cast Iron 1/2" Bend Bell & Spigot	11	1/2" - 12" Tile
12	4" Cast Iron 1/2" Bend - Flanged	12	6" Plymouth Aerators
13	8" V.C.P. encased with fillings	13	8" C.I. 2 Bell 1/4 Bend
14	8" Flexible Rubber Pipe Plug - Southwest Sewer Tool Co. or equal	14	8" Filter Rack
15	Chain Link Fence - Cyclone Invariable or equal	15	Reinforced Concrete
16	Non-Reinforced Concrete	16	Non-Reinforced Concrete
SHEET 2		SHEET 3	
1	Peerless HCC 4-1/2" x 1/2" L. Pump with weatherproof 2 HP 1150 rpm 3/4" 220 v. motor 175 gpm @ 24' head Clockwise Rotation	1	8" Snow Arrowhead Gate #163 or equal
2	4" Three-way square head Iron Cock Crane #331 or equal with 3" Tee Wrench	2	8" C.I. Long Radius 1/4 Bend Bell & Spigot
3	4" Gate Valves - Flanged OS&Y Crane #463 or equal	3	1/2" - 12" Tile
4	4" Check Valve - Flanged Horizontal Swing Check Crane #373 or equal	4	6" Plymouth Aerators
5	Edwards Electric Co. Vibrating Polarized Monitor Type "Adaptel" Cor. #300 with 6" Gong Weatherproof 110 v. 60 cps (Dorr Co.)	5	8" C.I. 2 Bell 1/4 Bend
6	Overhead Alarm Switch mounted on back (Dorr Co.)	6	8" Filter Rack
7	Start Stop Push Button Station Weatherproof Square D Co. Class 300 Type BN 49 (Dorr Co.)	7	Reinforced Concrete
8	Circuit Breaker 220 v. 15 amp. 3 pole	8	Non-Reinforced Concrete
9	Magnetic Switch with overload relays and a 1/2" x 1/2" stop push button station in cover - Square D Class 8536 R. 10A. Size 0 Type 1	9	Non-Reinforced Concrete
10	Combination Starter 220 v. 3 ph. 2 HP. Size 0 Type 1 Square D Class 8539 B6-1 or equal	10	Non-Reinforced Concrete
SHEET 4		SHEET 5	
1	Clarifier Mechanism if Support	1	Alphaltic Concrete
2	Reinforced Concrete	2	Reinforced Concrete
3	Weir Plate	3	Non-Reinforced Concrete
4	8" Snow Arrowhead Gate #163 or equal	4	4" Drain Tile
SHEET 6		SHEET 7	
1	8" Snow Arrowhead Gate with Extension Nozzle or equal	1	10" Conc. Pipe
2	8" Alfalfa Valves Snow Victor or equal	2	10" Gate Valve #104 or equal
3	8" Conc. Irrig. Pipe and Risers	3	10" Horizontally Sluice Hoopiron #300 or equal
4	4" Galv. Steel Pipe Air Vent	4	Crowned Back
5	Class A Concrete for Pressure Break Structures	5	4" V.C.P.

ADDITIONAL FACILITIES TO THE SEWAGE TREATMENT PLANT
WAYSIDE HONOR RANCHO
OFFICE OF THE SHERIFF
CASTAIC JUNCTION, CALIFORNIA
CAPITAL PROJECT NO 4089
IRRIGATION LINES
COUNTY OF LOS ANGELES, CALIFORNIA
WILLIAM J. FOX COUNTY ENGINEER

SCALE: AS SHOWN
SUBMITTED: [Signature]
3537 SANITATION ENGINEER

FEBRUARY 1952
APPROVED: [Signature] CHIEF DEPUTY SHERIFF
APPROVED: [Signature] UNDERSHERIFF

REFERENCES	REVISIONS	DESIGNED	ZEMAN
		TRACED	KOYAMATSU
		CHECKED	MALLERY & KOYAMATSU

P.C. 1643 SHEET 6 OF 6 SHEETS