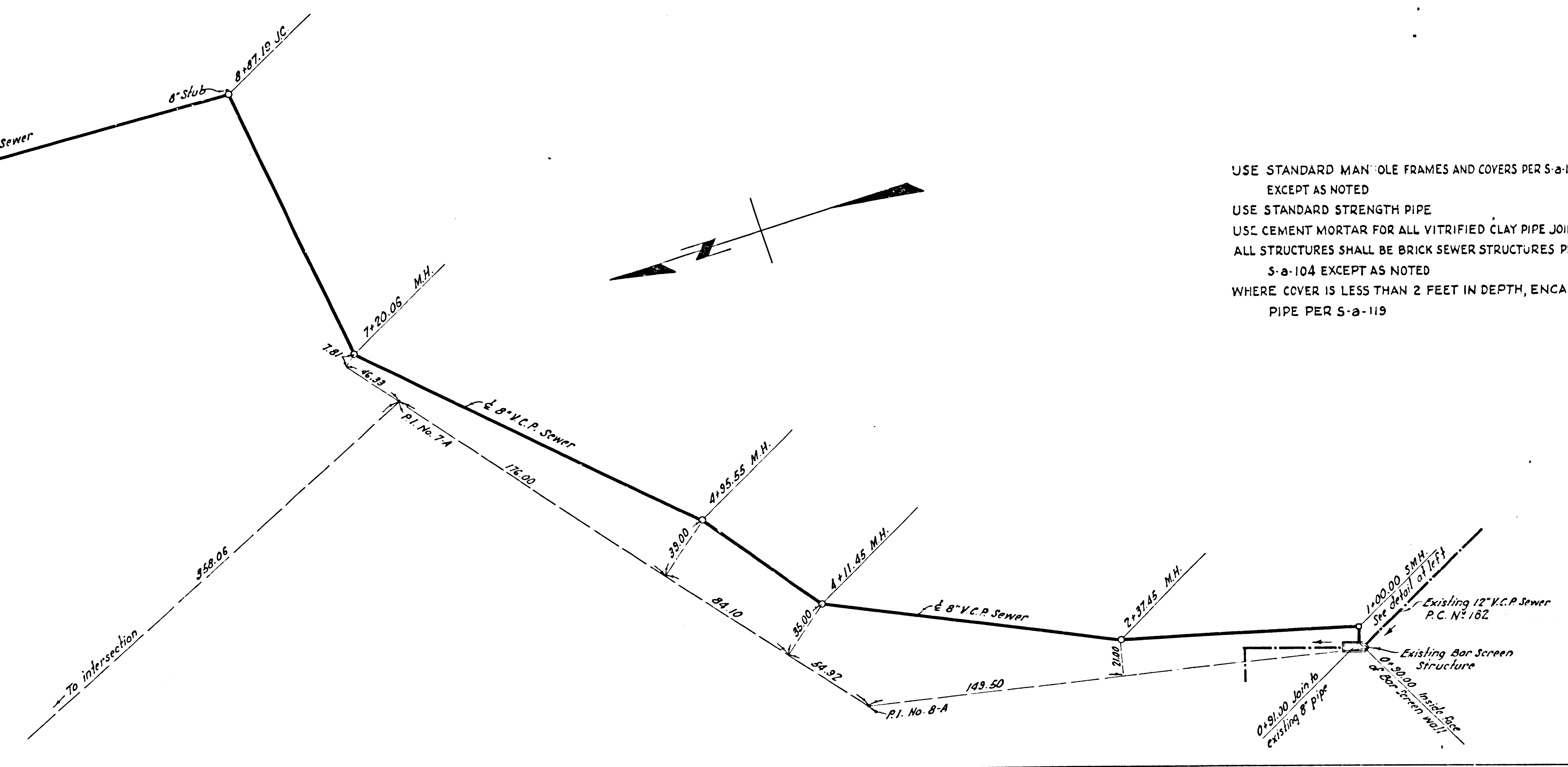
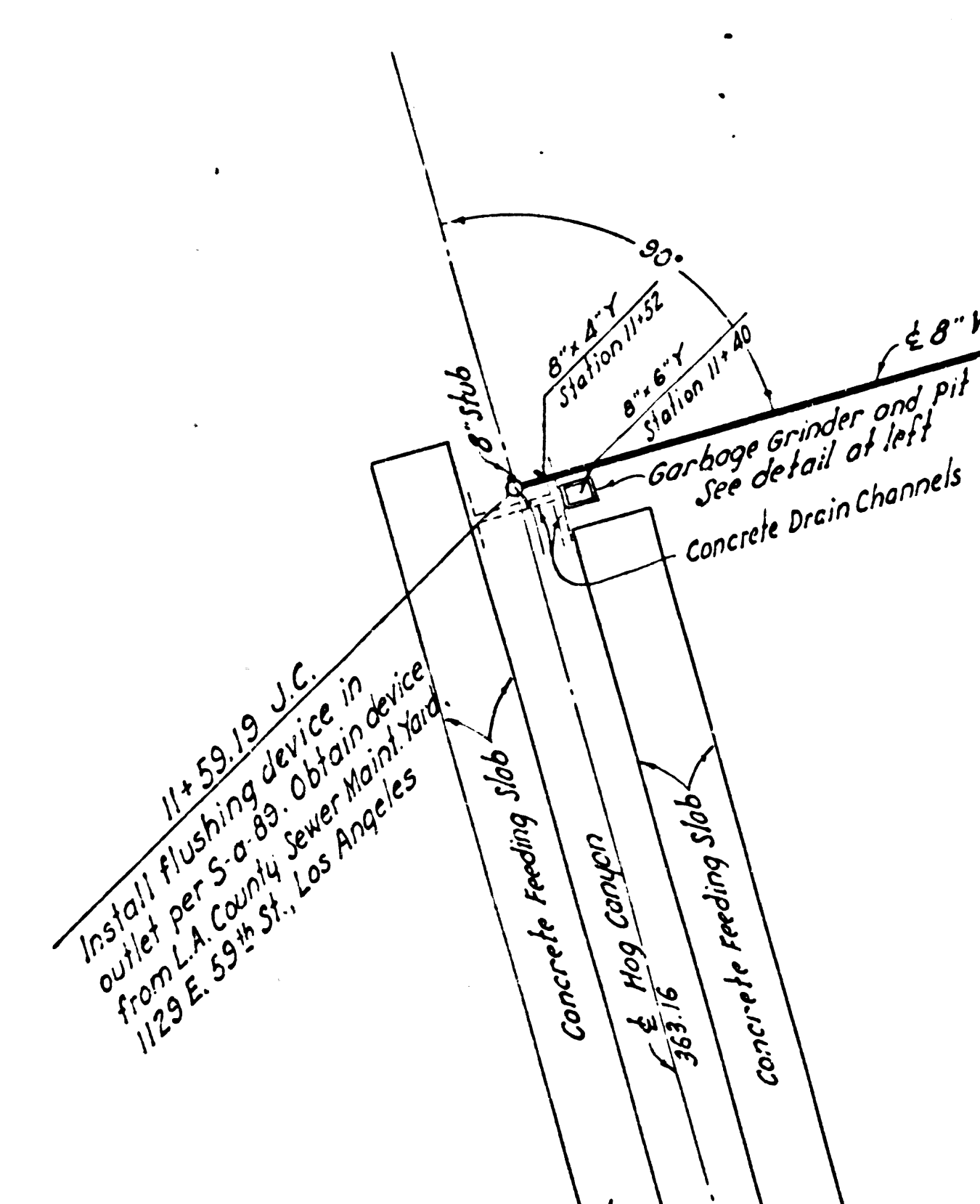
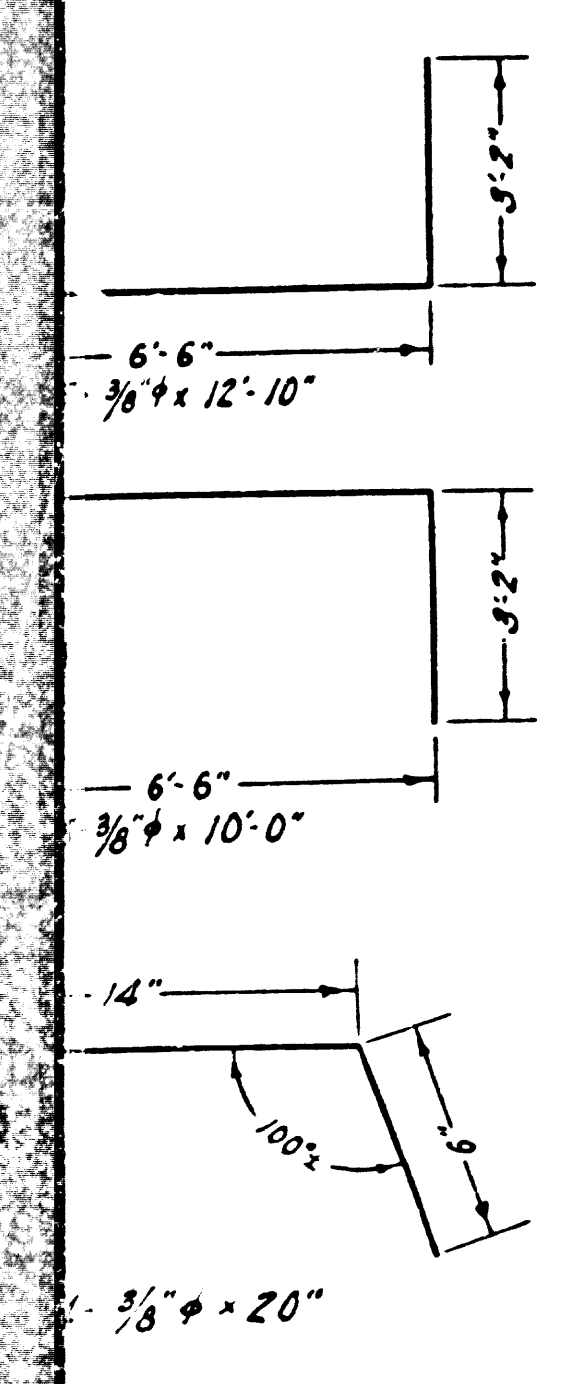
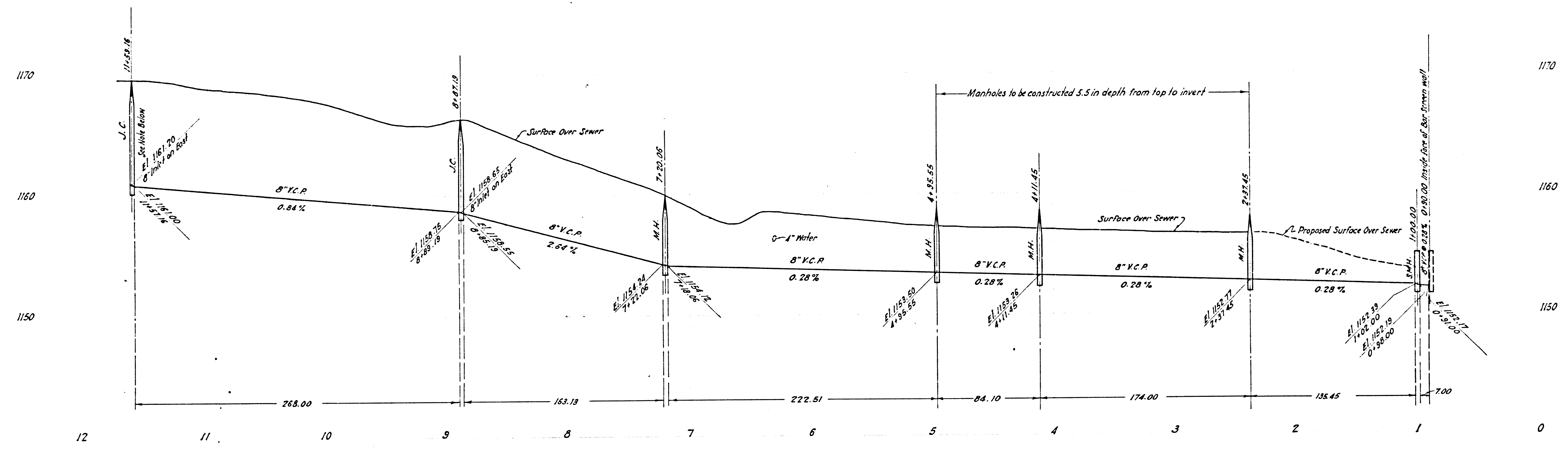


PC. 1703-1-1

B.M. # 5A - El. 1162.57 - F.B. 790 - p. 41  
Office Bldg. in Main Camp  
Brass Cap in N.W. cor. of Conc. Porch



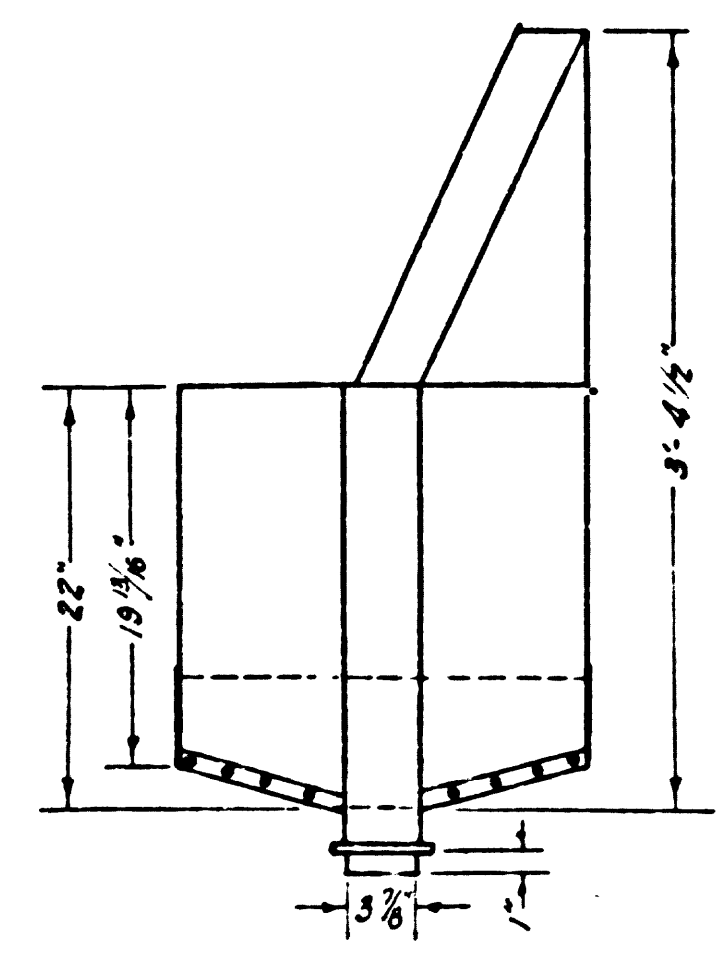
PRIVATE CONTRACT # 1703 J.N.0267  
**SEWER AND GARBAGE GRINDER**  
FOR SERVICE TO THE  
**HOG FARM**  
AT THE  
**WAYSIDE HONOR RANCHO**  
OFFICE OF THE SHERIFF  
CASTAIC JUNCTION, CALIFORNIA  
**ONE SHEET**  
COUNTY OF LOS ANGELES, CALIFORNIA  
C.E. ARNOLD COUNTY ENGINEER

SCALE: VERT. 1" = 4'  
SEWER PLAN & PROFILE: HORIZ. 1" = 40'  
DETAILS OF STRUCTURES: AS SHOWN  
MAY 1951  
RECOMMENDED: *W. H. Gregory* CHIEF DEPUTY  
APPROVED: *E. B. Arnold* COUNTY ENGINEER  
APPROVED: *[Signature]* COUNTY SHERIFF

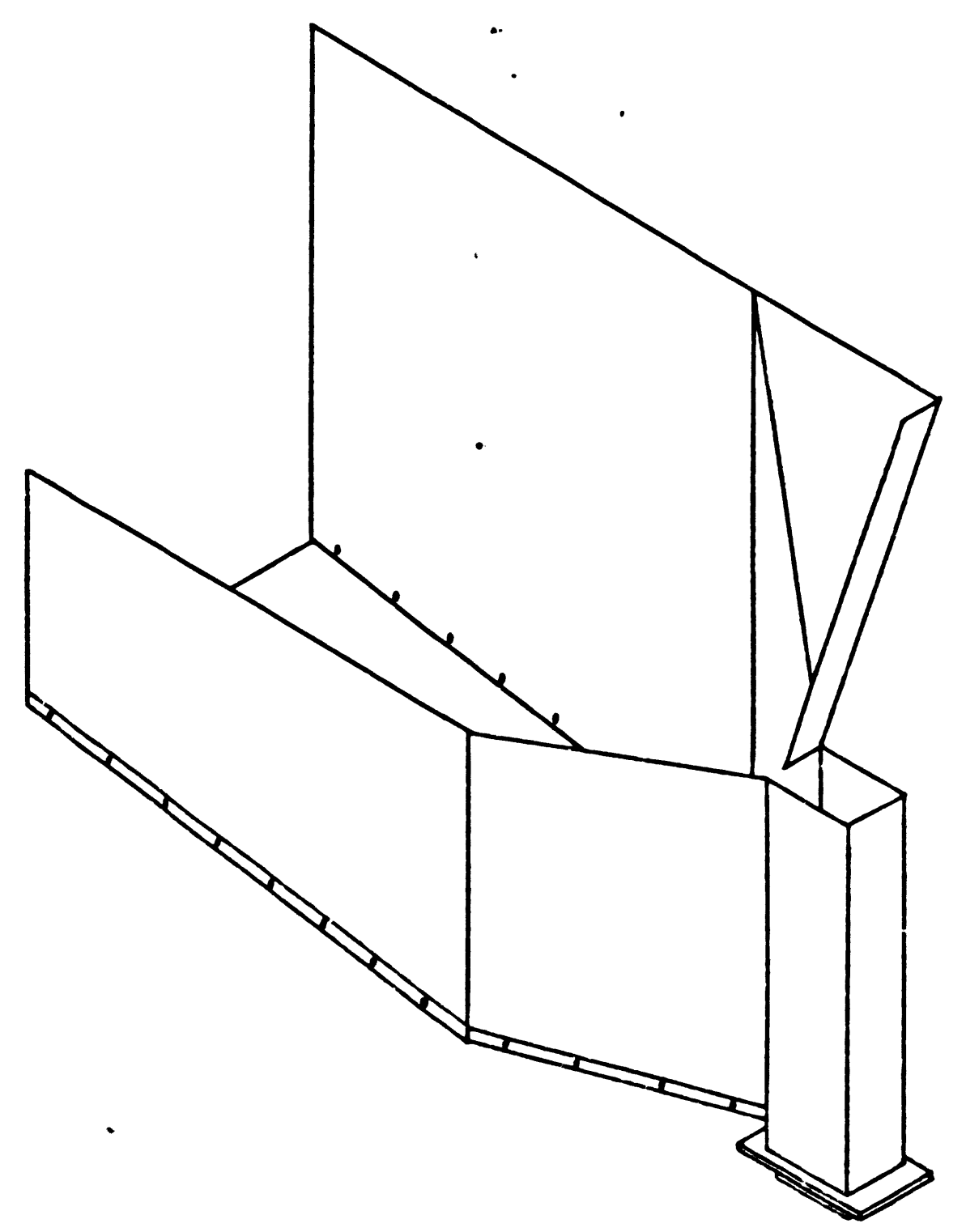
DESIGNED	SCOTT	APR 1951
TRACED	KOYAMATSU	APR 1951
CHECKED	KUHNS	MAY 1951

Center Line Sewer 24

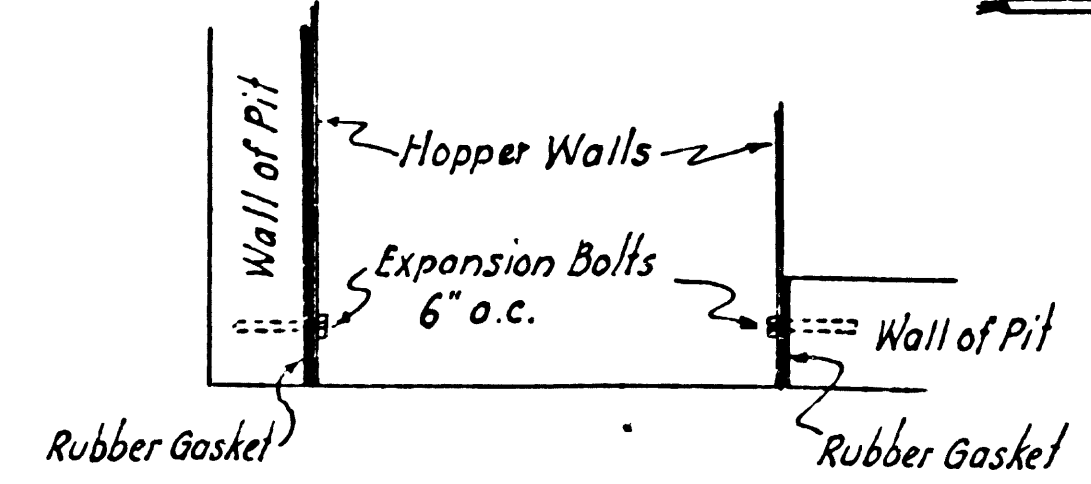
R111T



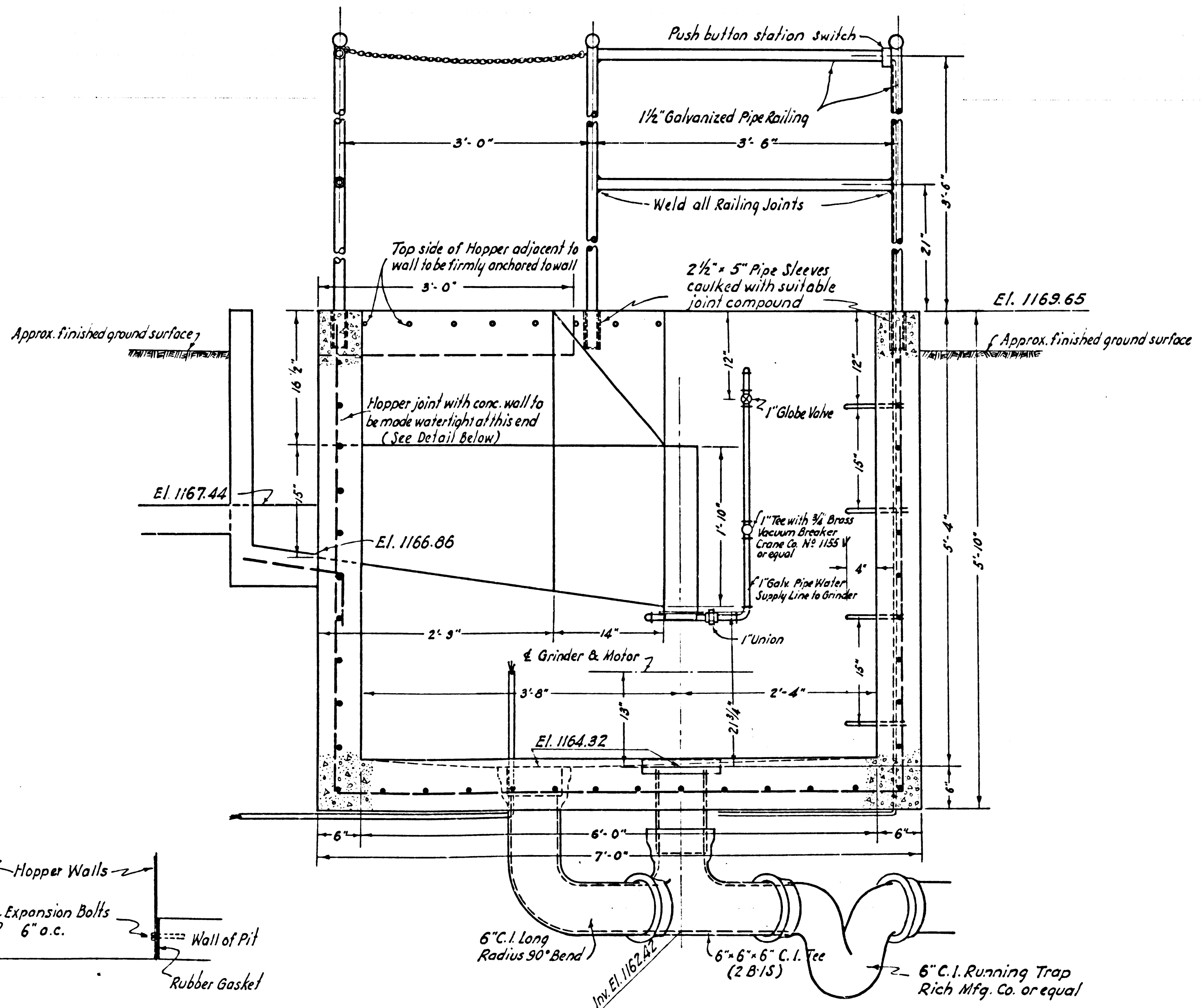
**HOPPER DETAILS**  
Scale: 1"=1'



NOTE: Hopper to be painted with suitable protective coating

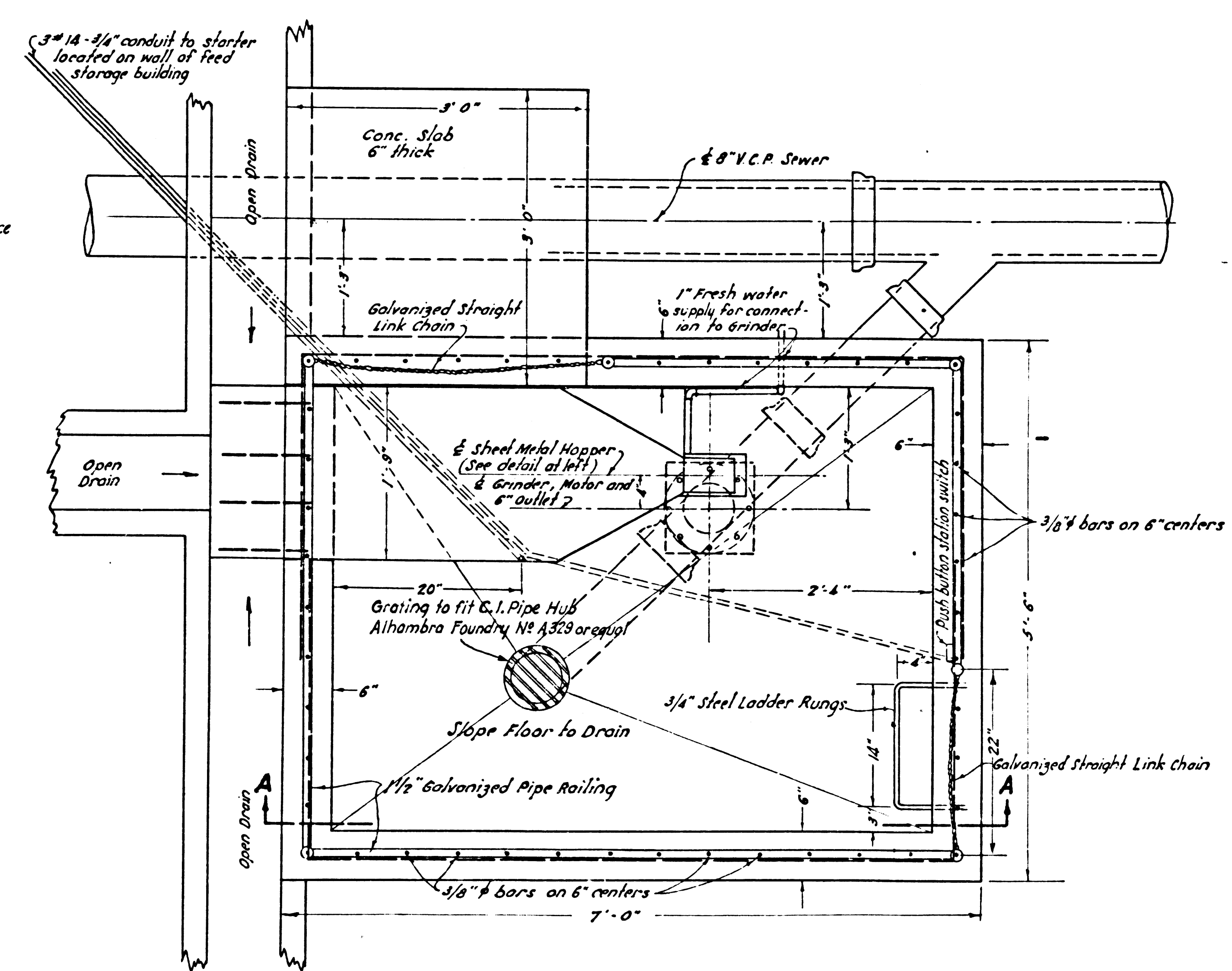


**HOPPER JOINT DETAILS**  
Not to Scale

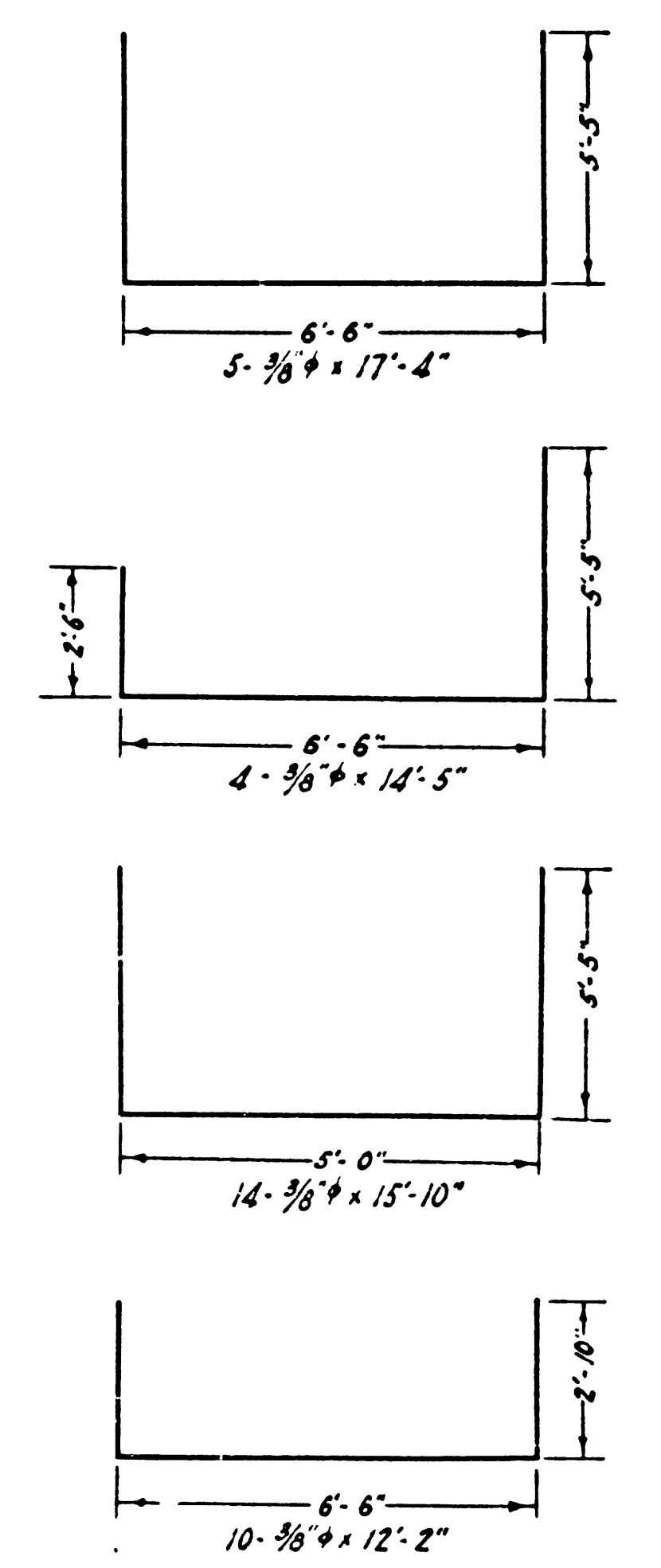


**SECTION A-A**  
Scale: 1"=1'

**GARBAGE GRINDER AND PIT**



**PLAN**  
Scale: 1"=1'

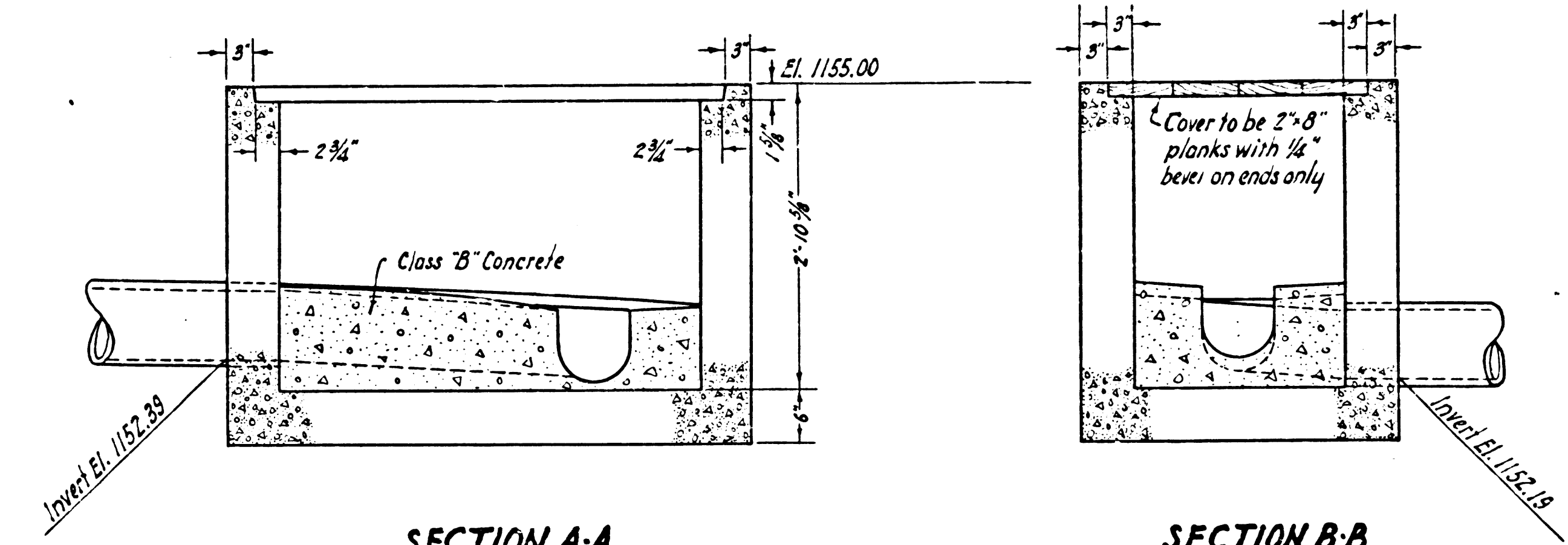
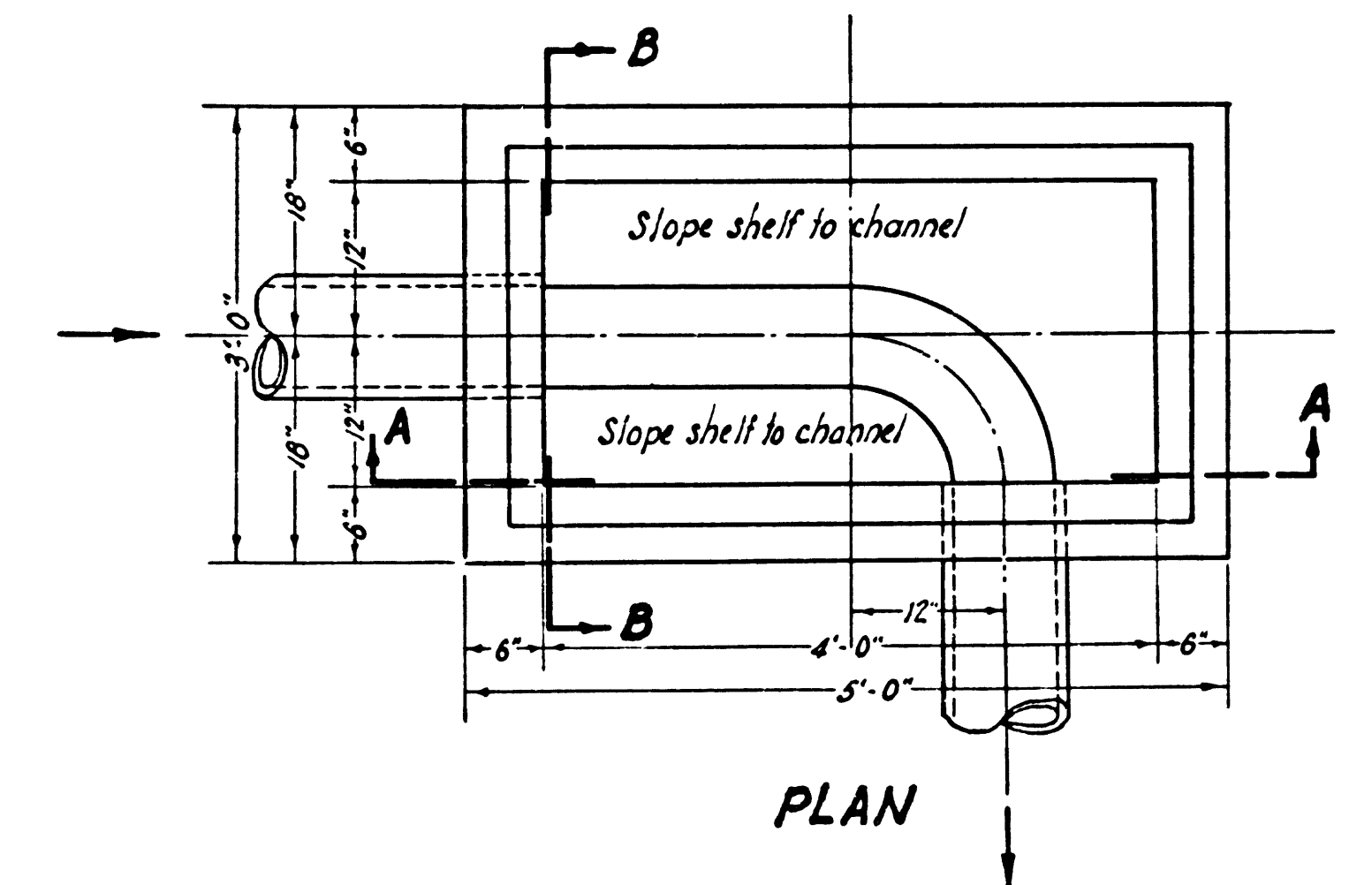


**REINFORCING BARS**  
Not to Scale

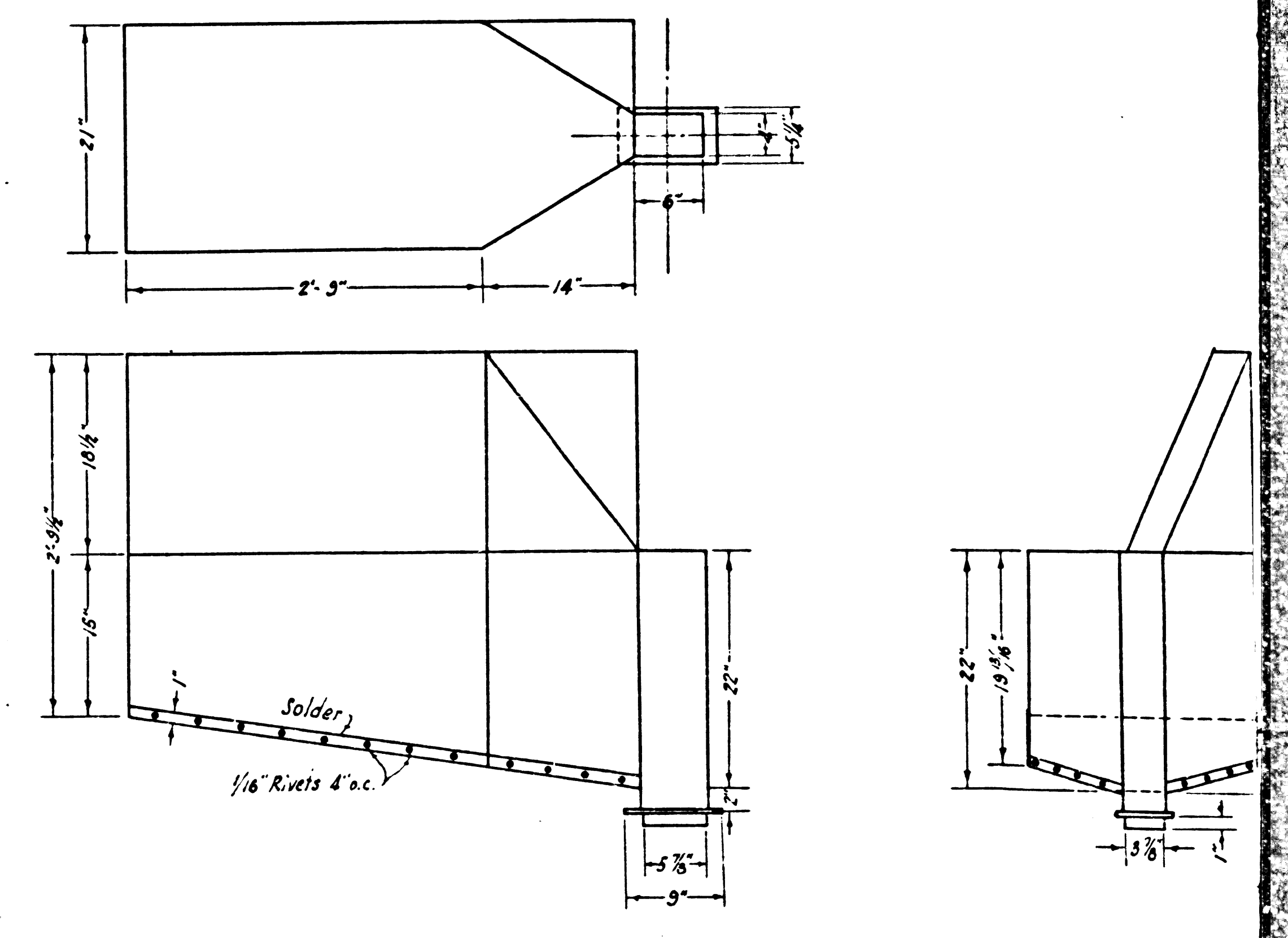
PC. 1703-1-3

PRII

ONE SHEET FOR EXISTING AND CHANGE ORDERS  
1230 W. L. COY. '28

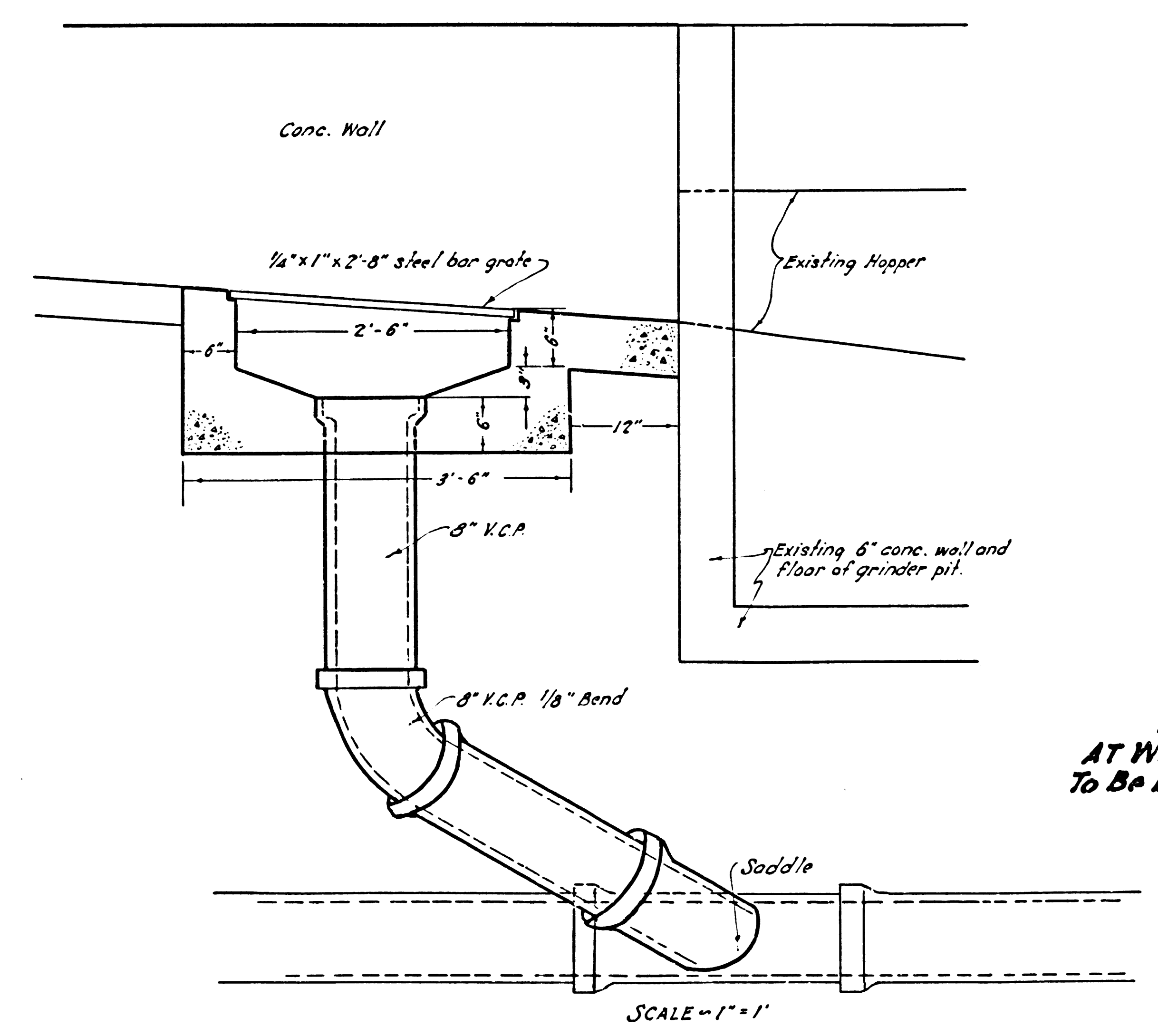
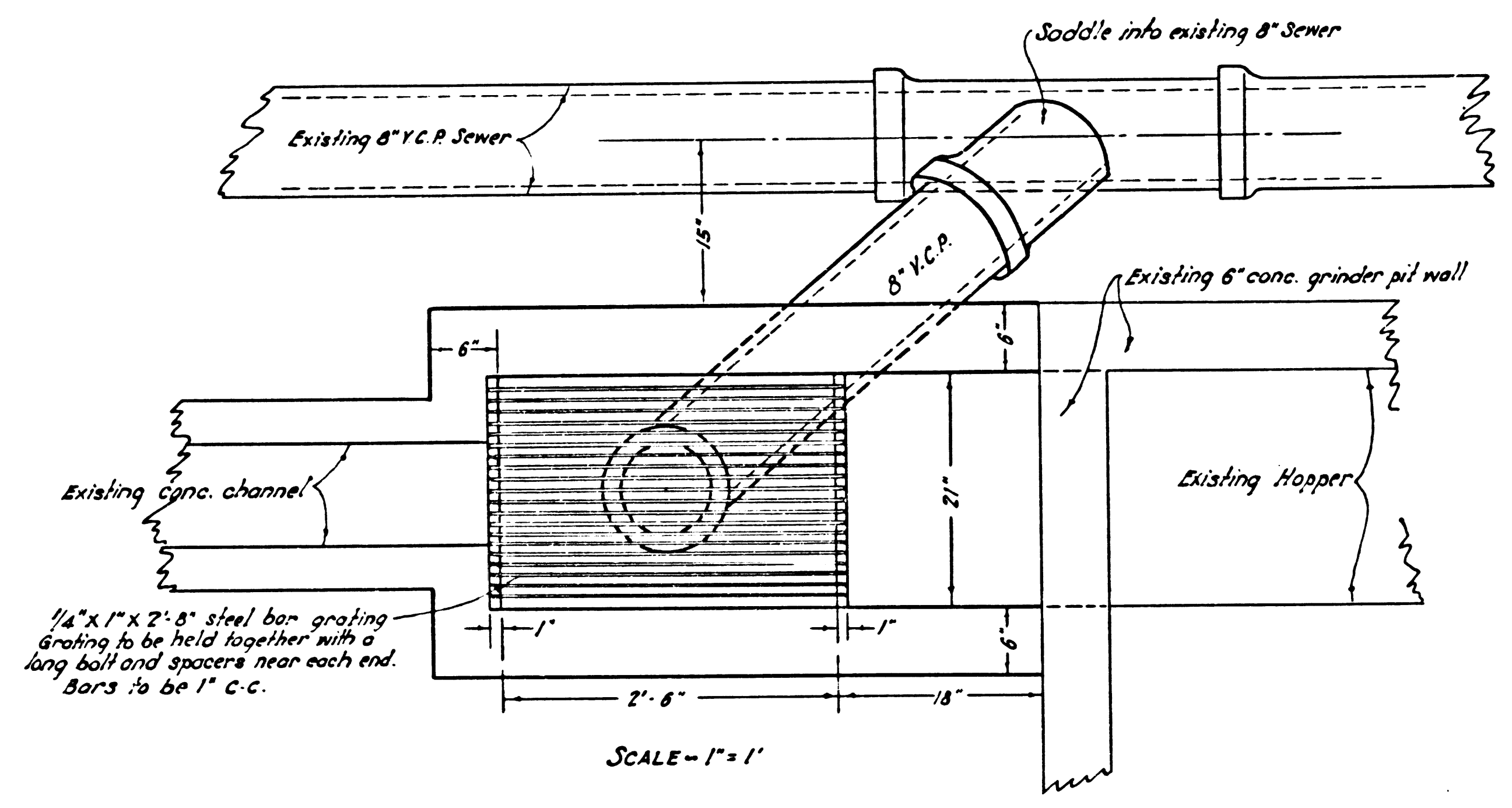


DETAILS OF SHALLOW MANHOLE  
Scale: 3/4" = 1'



HOPPER DETAIL  
Scale: 1" = 1'

PC. 1703-2-1

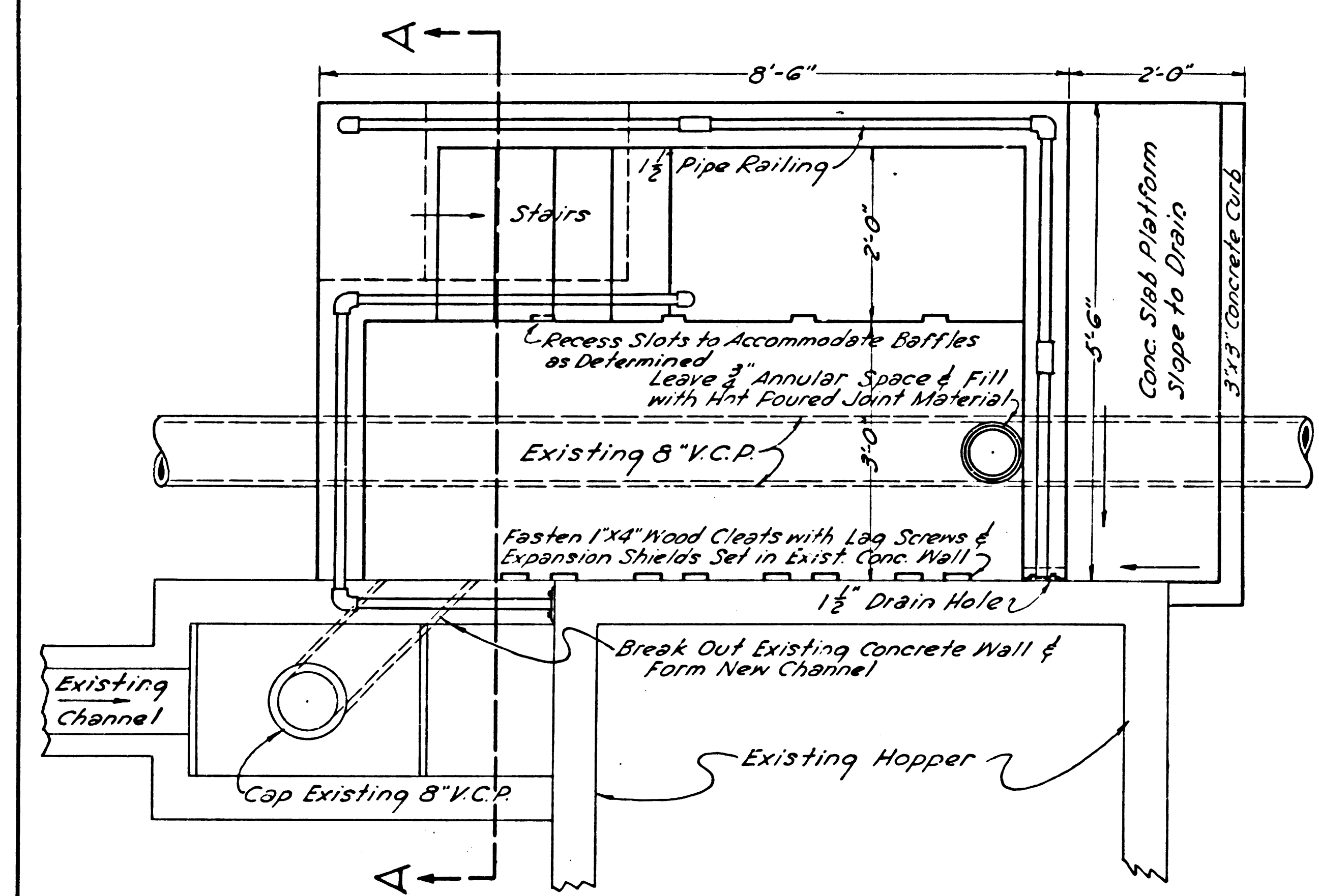


**SUGGESTED MODIFICATION  
FOR DEWATERING GARBAGE  
AT WAYSIDE HONOR RANCHO HOG FARM  
To Be Built By Wayside Honor Rancho**  
July 1952

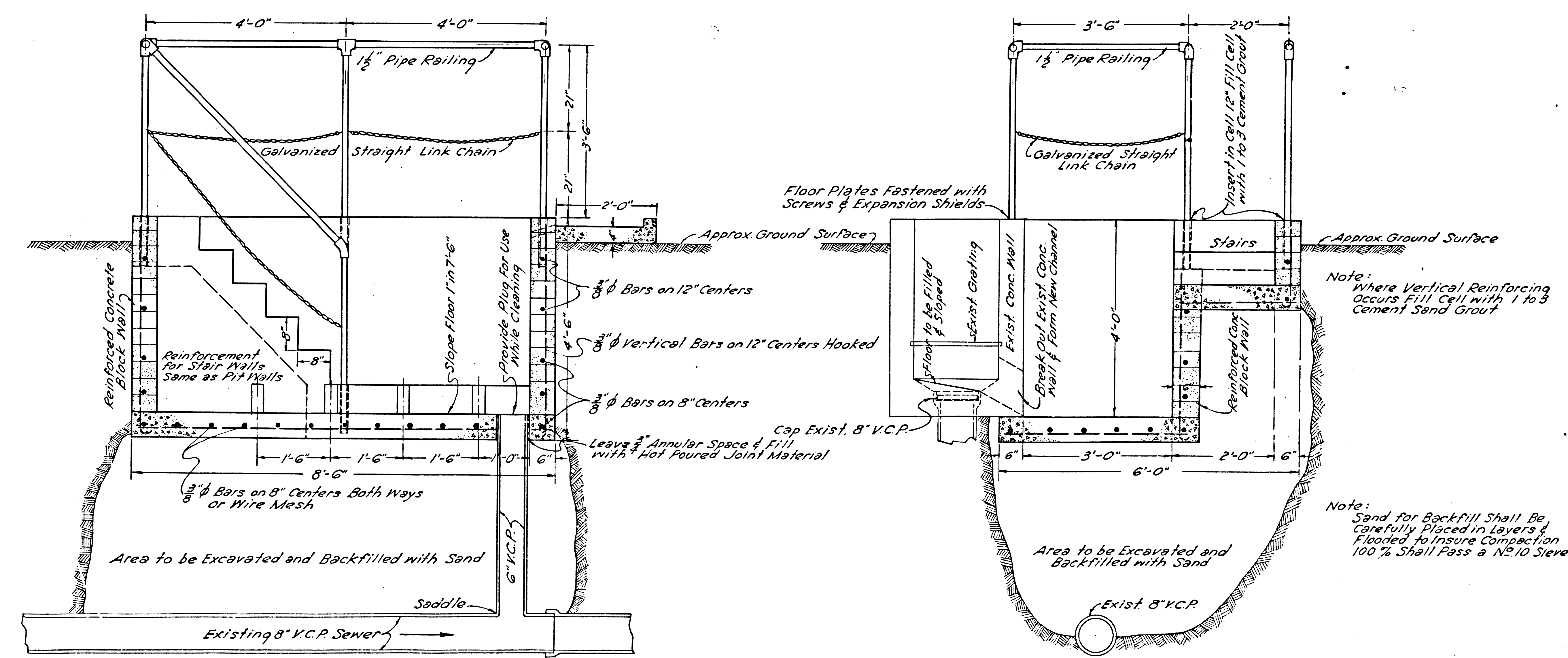
REGISTERED PROFESSIONAL ENGINEER  
STATE OF CALIFORNIA  
NO. 1234

SUGGESTED SAND TRAP  
 FOR GARBAGE GRINDER  
 AT WAYSIDE HONOR RANCHO HOG FARM  
 TO BE BUILT BY WAYSIDE HONOR RANCHO

SCALE:  $\frac{3}{4}$ " = 1'-0"  
 SEPTEMBER 1952



PLAN



SECTIONAL ELEVATION

SECTION A-A

WAYSIDE HONOR RANCHO - SAN ANTONIO  
 BC 1103