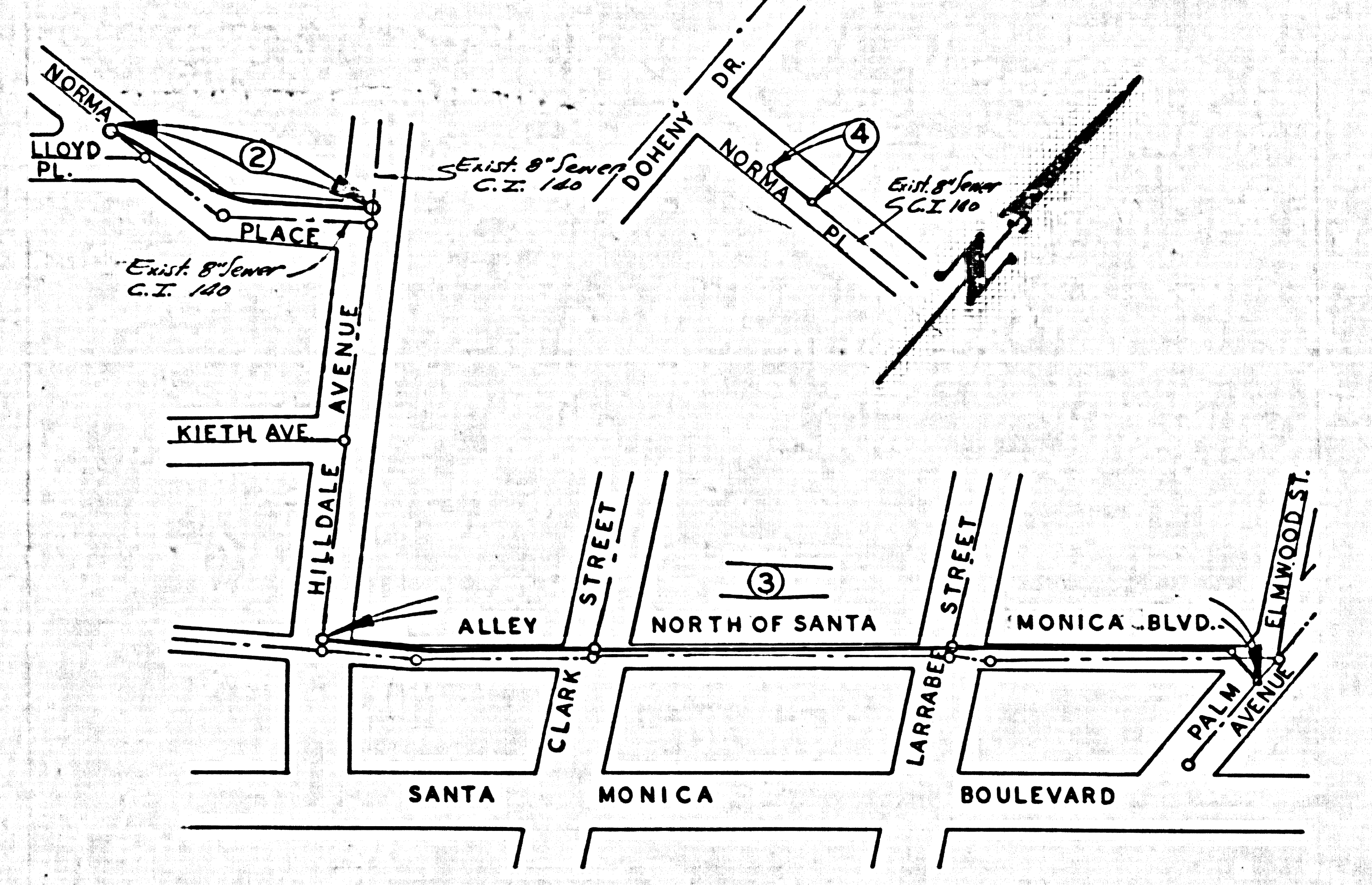


WEST HOLLYWOOD BLDG. DIST. NO. 9

PROFILE ALIGNMENT AND GRADE OF P.C. 5506  
 SANITARY SEWERS PAGE 1



- NOTES:
- PROVIDE STAKES ON THE PROPERTY LINE OR PROPERTY LINES, LOCATED AT RIGHT ANGLES TO THE SEWER LINE AT THE CENTER LINE OF EACH MANHOLE.
  - NO REPRESENTATIVE OF THE COUNTY ENGINEER WILL SURVEY OR LAYOUT ANY PORTION OF THE WORK.
  - THE OWNER OR HIS AUTHORIZED REPRESENTATIVE SHALL FURNISH THE COUNTY ENGINEER WITH GRADE SHEETS AND STATIONING FOR ALL HOUSE LATERALS AND IF BRANCHES AND SHALL PROVIDE STAKES FOR THEM AT THEIR PROPER LOCATIONS WITH STATIONING PLAINLY MARKED. ANY CHANGE IN LOCATION SHALL BE REQUESTED IN WRITING BY THE OWNER OR HIS REPRESENTATIVE.
  - NO REVISIONS SHALL BE MADE IN THESE PLANS WITHOUT THE APPROVAL OF THE COUNTY ENGINEER.
  - USE STANDARD MANHOLE FRAMES AND COVERS, S.A.-117.
  - USE STANDARD STRENGTH PIPE EXCEPT AS NOTED.
  - USE "MEANS-LOW" OR "SPOON-BACK" FOR ALL U.C.R. JOINTS AND SPICES. SECS. 36 & 40.
  - RESURFACE ALL TRENCH WITHIN PAVED AREA TO MEET L.A. COUNTY ROAD DEPT. OR CALIF. STATE HIGHWAY DEPT. REQUIREMENTS IN ACCORDANCE WITH PERMITS.
  - ENCASE FOUR FEET OF SEWER AT POINTS OF INTERFERENCE WITH POLES, S.A.-119.
  - MANHOLE LARRABEE TO BE CONSTRUCTED WITHIN COVERED-AS-INDICATED LINES. SEE BROWN DASH-GRADE SHEET AS NOTED.
  - ALL STRUCTURES SHALL BE BRICK SEWER STRUCTURES, S.A.-104.
  - FOR ALLOWABLE LEAKAGE TEST USE FORMULA NO. 1 SPEC. 57, 58.
  - ALL FLOWS SHALL BE MAINTAINED DURING CONSTRUCTION.
  - REPLACE CONCRETE SIDEWALK TO SCORE LINES.
  - SPECIFICATIONS DATED JANUARY 1, 1960 APPLY IN THE CONSTRUCTION OF THIS PROJECT.
  - ANY EXISTING HOUSE LATERALS INTERFERING WITH THIS CONSTRUCTION ARE TO BE RECONNECTED TO NEW SEWER.

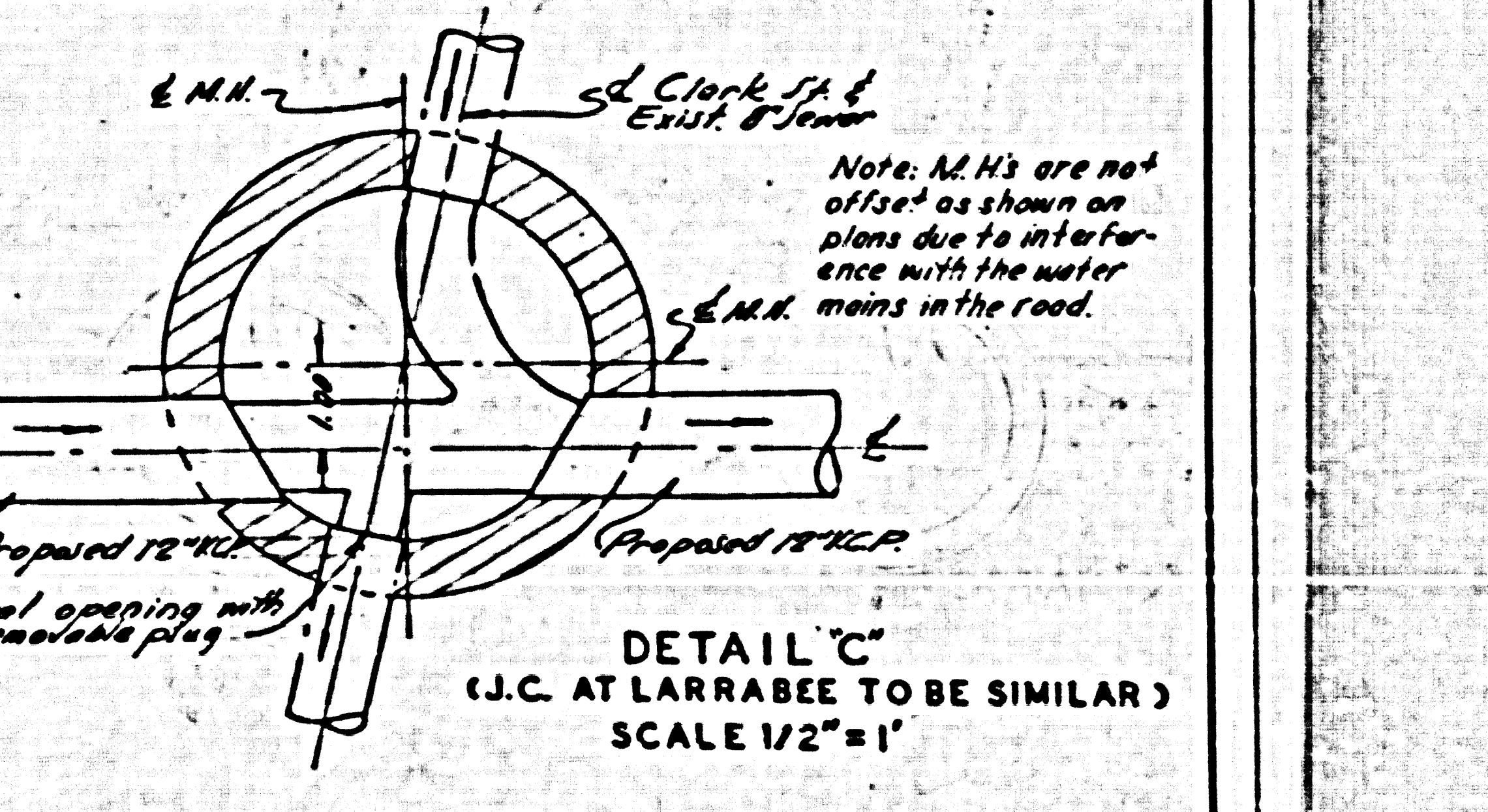
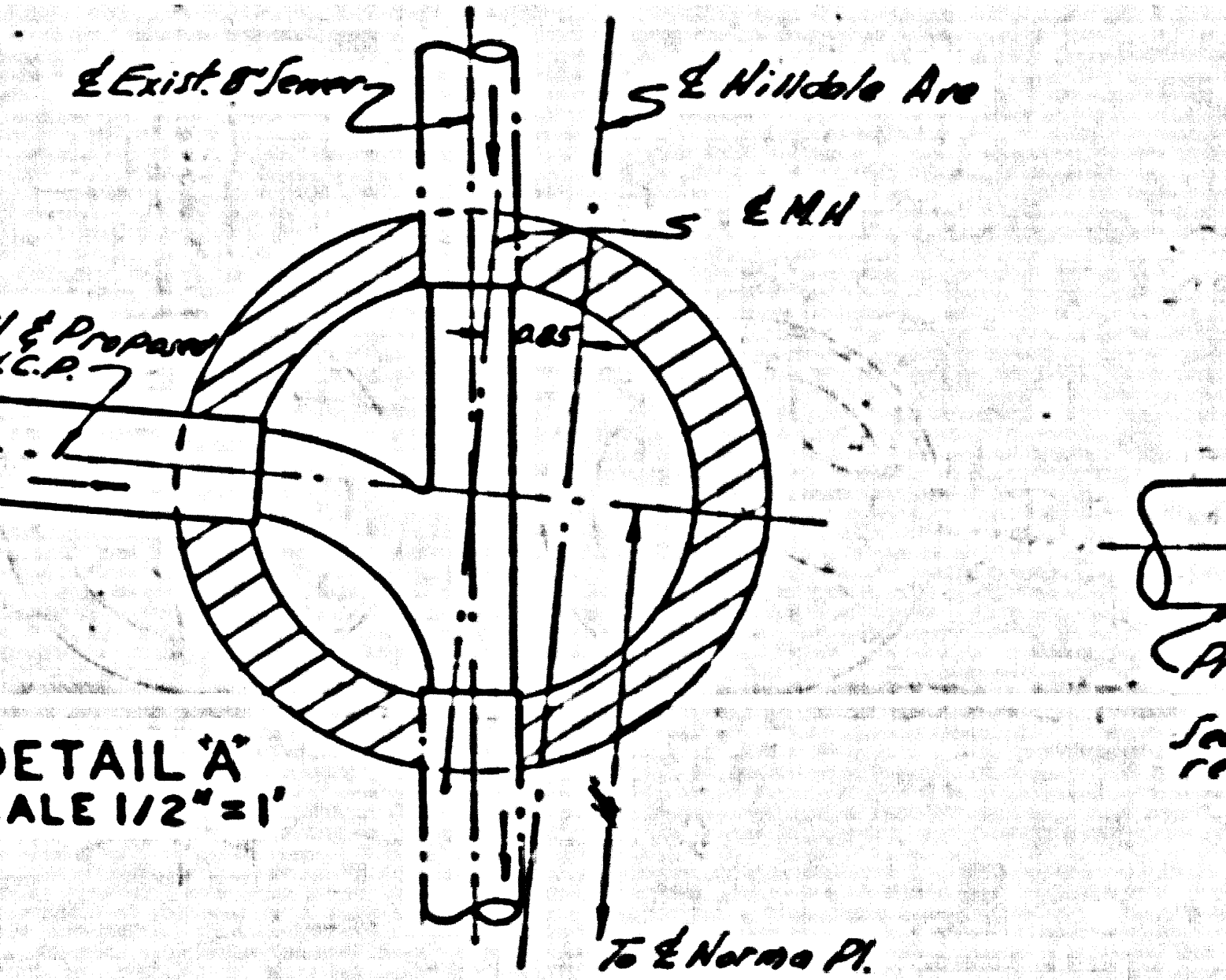
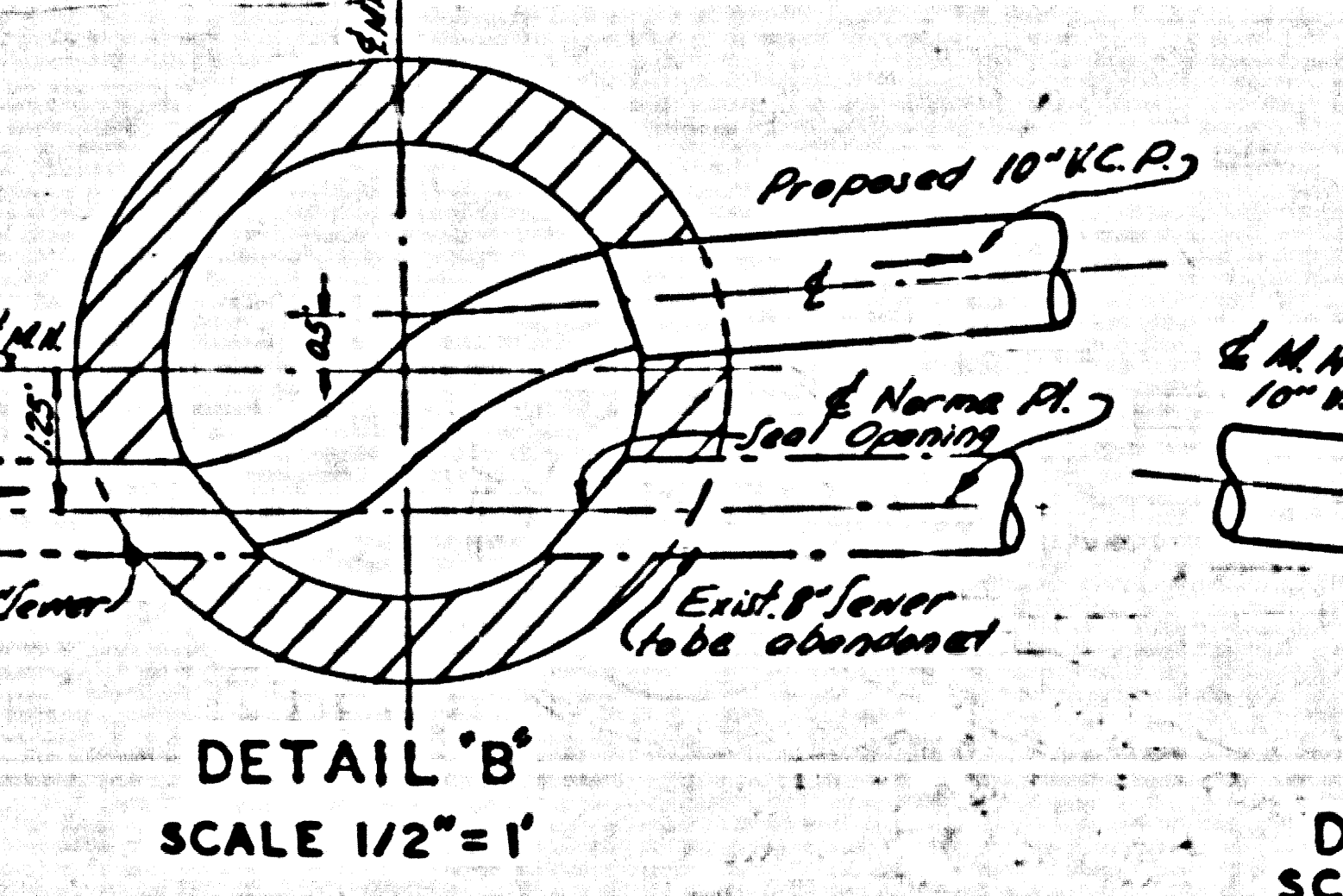
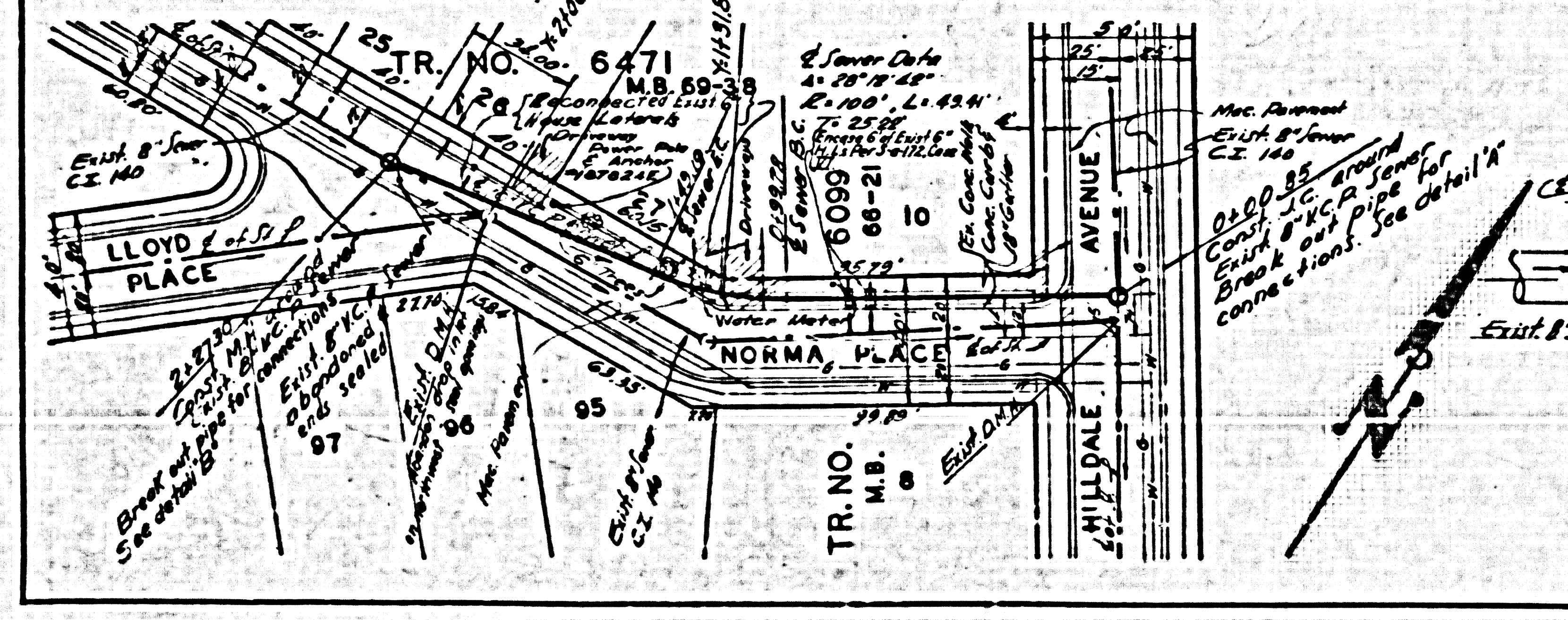
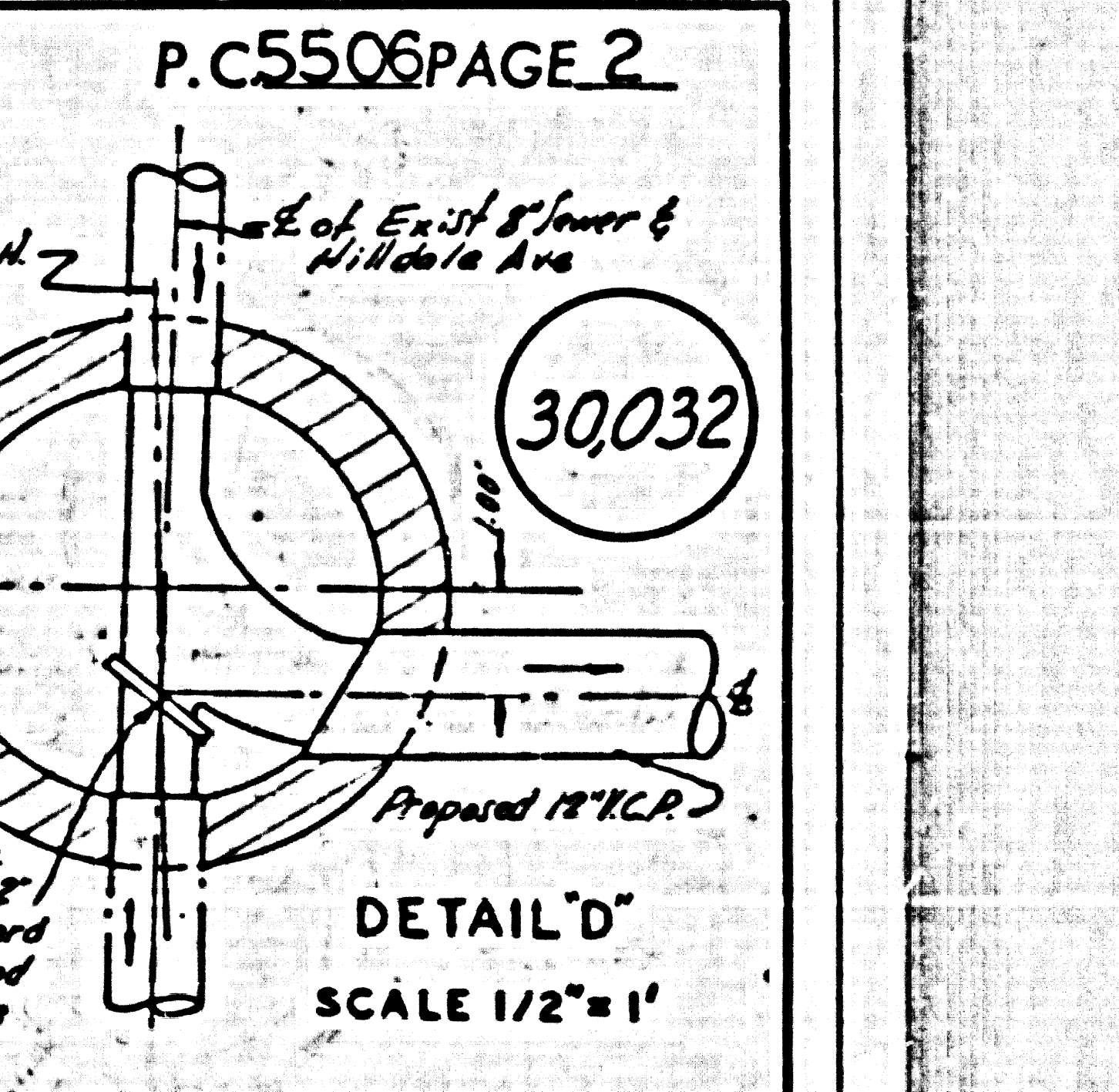
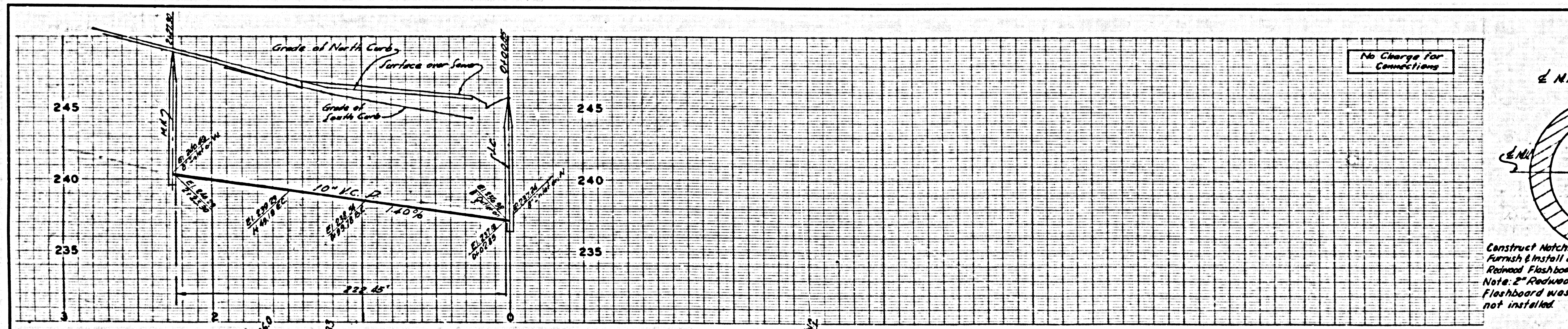
TO BE CONSTRUCTED IN  
 NORMA PLACE  
 AND IN  
 ALLEY NORTH OF  
 SANTA MONICA BOULEVARD  
 PRIVATE CONTRACT NO. 5506  
 W.S. 22  
 2 SHEETS, 4 PAGES  
 SCALE: VERT. 1" = 6'  
 HORIZ. 1" = 40'  
 MAY, 1960  
 PREPARED IN THE OFFICES OF  
 SULLIVAN · PSOMAS AND YOUNG  
 ENGINEERS SURVEYORS  
 BY: *[Signature]*  
 REG. C. E. NO. 1918  
 FOR LEGEND SEE PLAN NO. S-A-64

30,031

BM - RISA ELEV. 741.12 per F.D. 118-282  
 Located at S. of Clark St. S.W. corner  
 BT spike in curb 3' West of west end  
 C.E.

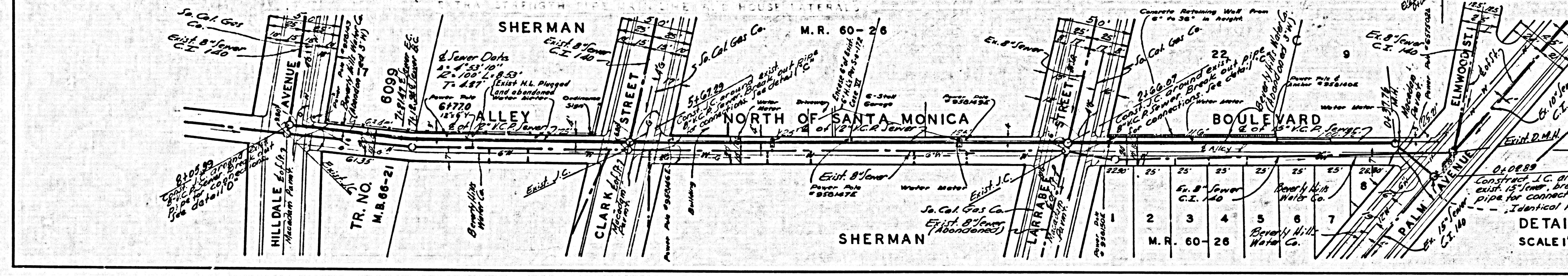
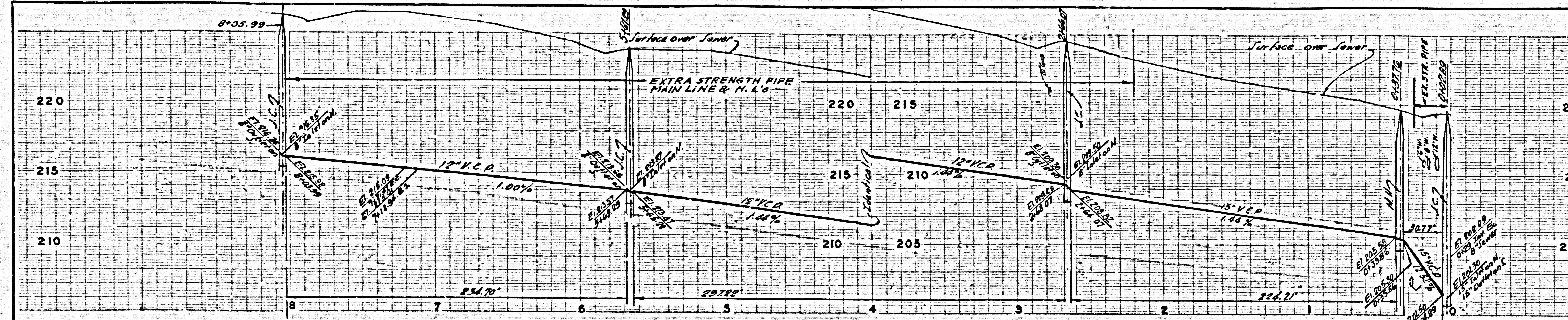
No Charge for  
 Connections  
*[Signature]*

NOTE:  
 GRADES TO WHICH THIS IMPROVEMENT IS TO BE CONSTRUCTED ARE SHOWN ON PLANS AND IN THESE GRADE POINTS FOR TOP OF CURB, CENTER LINE OF STREET, OR CENTER LINE OF ALLEY AS SHOWN BY CIRCLES ON PROFILES. AT ALL POINTS BETWEEN DESIGNATED POINTS THE GRADE SHALL BE ESTABLISHED SO AS TO CONFORM TO A STRAIGHT LINE DRAWN BETWEEN SAID DESIGNATED POINTS.  
 ELEVATIONS ARE IN FEET ABOVE U.S.C. DATUM OR MEAN SEA LEVEL.  
 THIS DRAWING AND THE DATA HEREON ARE HEREBY MADE A PART OF THE SPECIFICATIONS.  
 WORK SHALL BE CONSTRUCTED ACCORDING TO SPECIFICATIONS ON FILE IN THE OFFICE OF THE COUNTY ENGINEER AND SHALL BE INSPECTED ONLY IN THE PRESENCE OF THE COUNTY ENGINEER.  
 BEFORE WORK CAN BE STARTED, THE CONTRACTOR MUST OBTAIN A PERMIT TO EXCAVATE IN COUNTY STREETS FROM THE L.A. COUNTY ROAD DEPT. DATE: 4/19/60 AND MAKE A DEPOSIT WITH THE COUNTY ENGINEER, ROOM 324 PAIN AMERICAN BUILDING, 210 SO. BRADWAY SUFFICIENT TO COVER THE COST OF CONSTRUCTION INSPECTION AND RECORD PLANS.  
 APPROVAL OF THE LOCATION OF THE EXISTENCE OF NON-EXISTENCE OF ANY UNDERGROUND UTILITY PIPE, OR STRUCTURE WITHIN THE LIMITS OF THIS PROJECT THIS NOTE APPLIES TO ALL PAGES.  
 IF WORK IS TO BE DONE IN A STATE HIGHWAY, A PERMIT MUST BE OBTAINED FROM THE STATE OF CALIFORNIA, DIVISION OF HIGHWAYS, 128 SOUTH SPRING STREET.  
 COUNTY OF LOS ANGELES, CALIFORNIA  
 APPROVED, JOHN A. LAMBE, COUNTY ENGINEER  
 APPROVED, A. M. RAWN, CHIEF ENGINEER  
 BY: *[Signature]* 4172 SANITATION ENGINEER  
 BY: *[Signature]* OFFICE ENGINEER  
 CHECKED BY: *[Signature]* 7-6-60  
 OFFICE OF COUNTY ENGINEER, BUL. C. E. NO. 9406



No Charge for Connections

30,033



No Charge for Connections

30,034

