

**INDEX MAP  
POMONA FREEWAY SEWERS  
R.C. 6352**

W.S. 37                      Renie: 37, 49

**LEGEND**

Sewers to be abandoned    - - - - -

Sewers to be constructed    ————

Existing sewers                ————

Sheet numbers                (5)

TH-1 1/68

Approved: \_\_\_\_\_  
Dist. Eng. Dist. \_\_\_\_\_

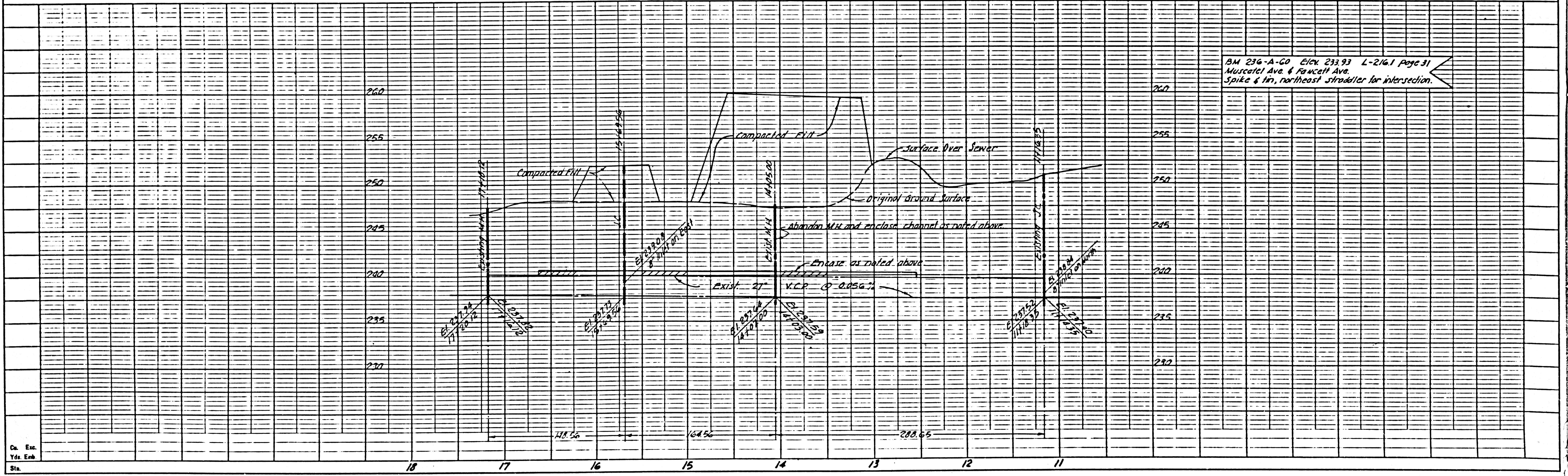
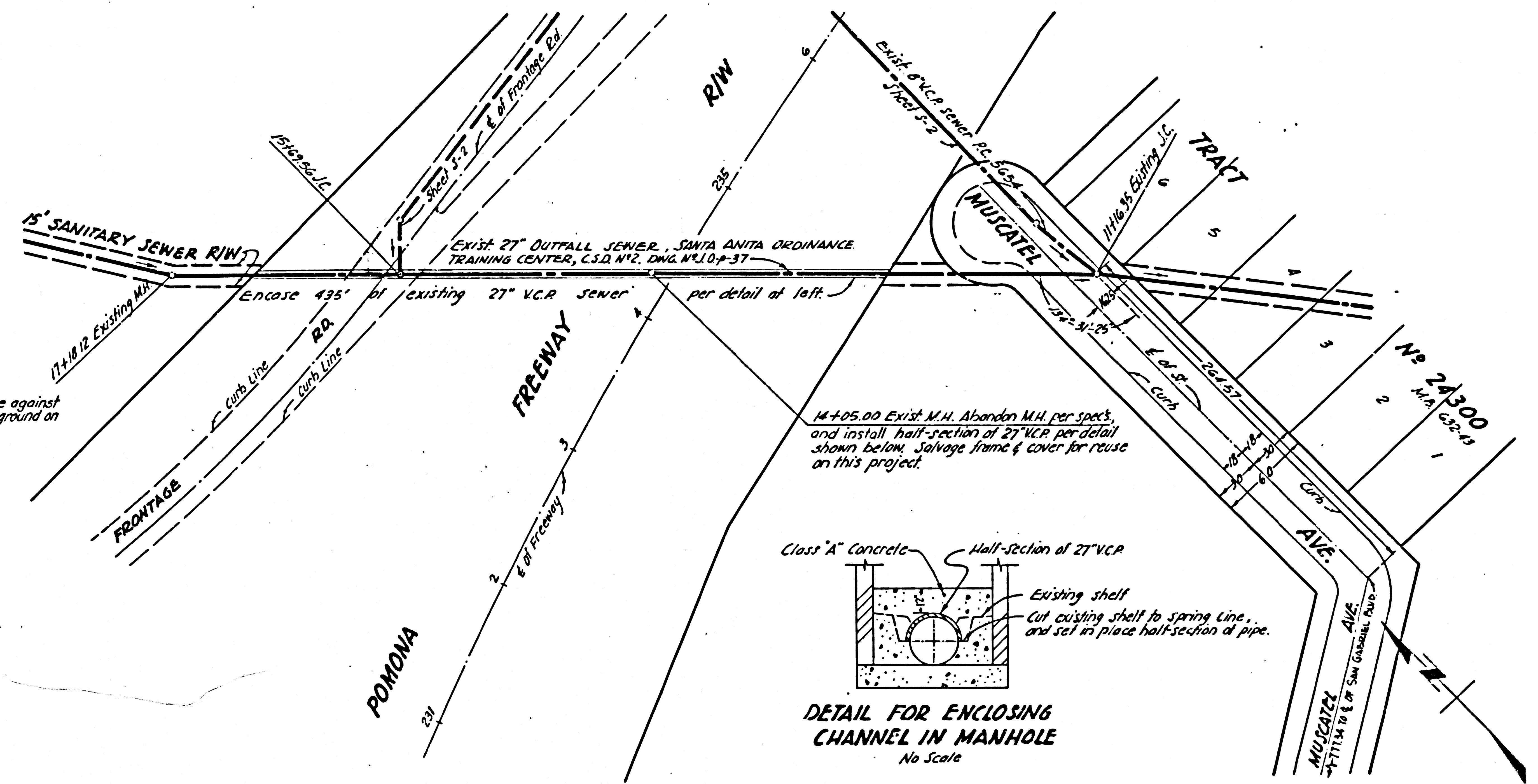
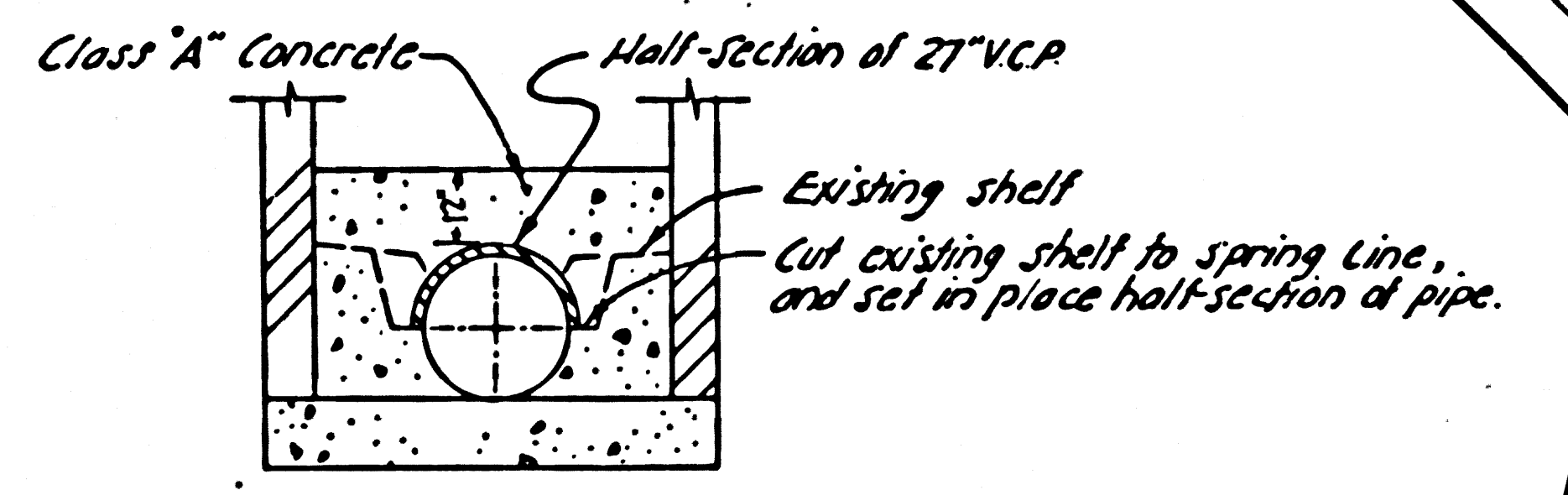
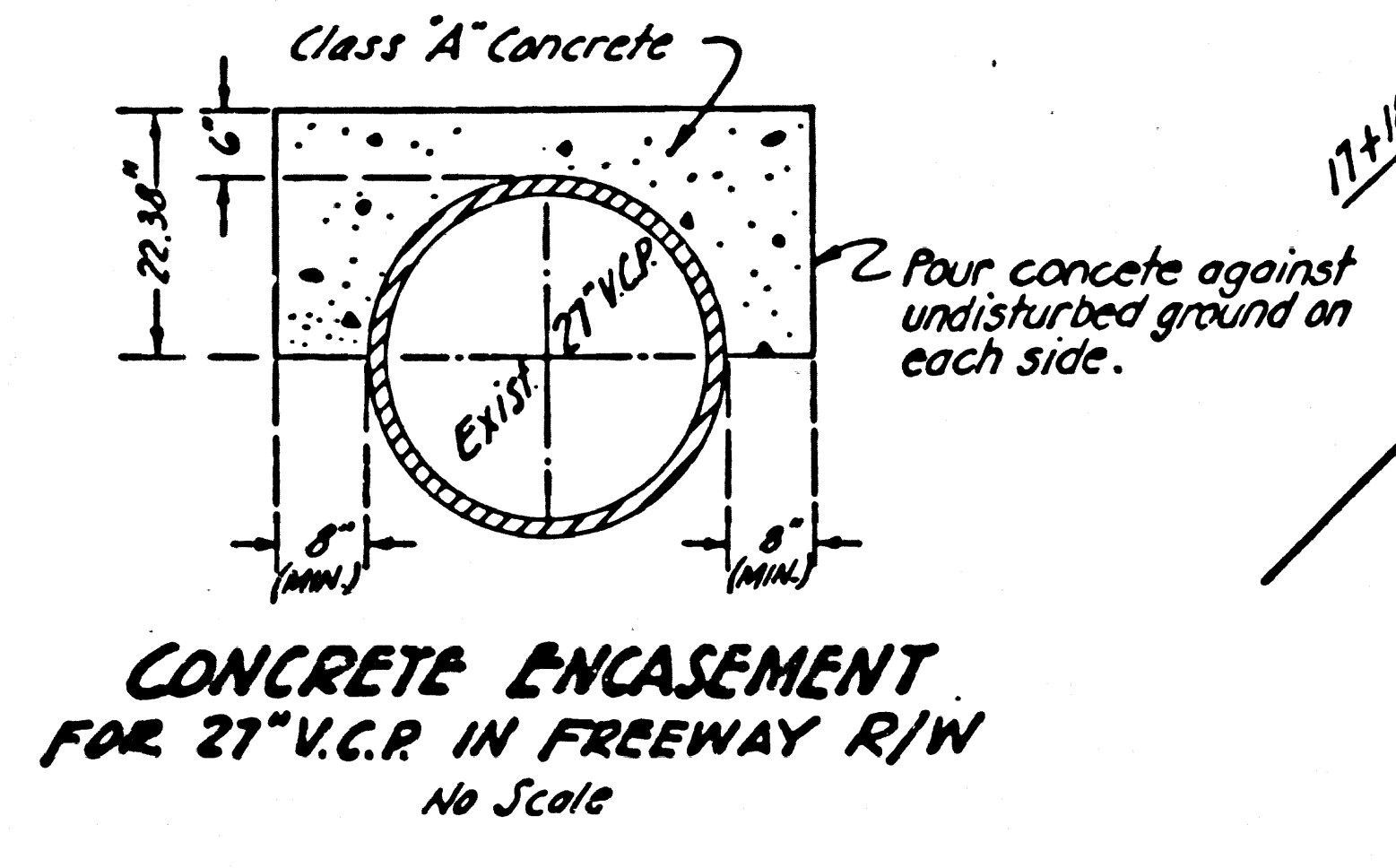
**38954**  
**PLAN & PROFILE OF**  
**SANITARY SEWERS**  
**TO BE RECONSTRUCTED UNDER**  
**PC. 6352**  
 SHEET 5-1 OF 9 SHEETS FEB. 1964  
 SCALE: HORIZ. 1"=50' VERT. 1"=5'  
 COUNTY OF LOS ANGELES, CALIFORNIA  
 APPROVED, JOHN A. LAMBIE, COUNTY ENGINEER

BY: Richard E. Kuhn  
 ASST. SANITATION ENGINEER  
 APPROVED, J.D. PARKHURST, CHIEF ENGINEER  
 COUNTY SANITATION DISTRICT NO. 2 & 15

BY: J. Prothmann  
 OFFICE ENGINEER  
 BEFORE BREAKING INTO ANY EXISTING STRUCTURE  
 AND BEFORE FINAL ACCEPTANCE OF THIS WORK,  
 COUNTY SANITATION DISTRICT (DU 4-1281) SHALL  
 BE NOTIFIED IN ORDER THAT REQUIRED INSPEC-  
 TION CAN BE MADE.

NO CONNECTIONS FOR THE DISPOSAL OF  
 INDUSTRIAL WASTES SHALL BE MADE TO  
 SEWERS SHOWN ON THESE DRAWINGS  
 WITHOUT WRITTEN PERMISSION FROM THE  
 CHIEF ENGINEER AND GENERAL MANAGER  
 OF THE COUNTY SANITATION DISTRICTS.  
 DESIGNED BY Richard E. Kuhn  
 P.E. C.E. No. 10657

DRAWN BY GESQUER & TUDON  
 CHECKED BY W.C. MISKELL



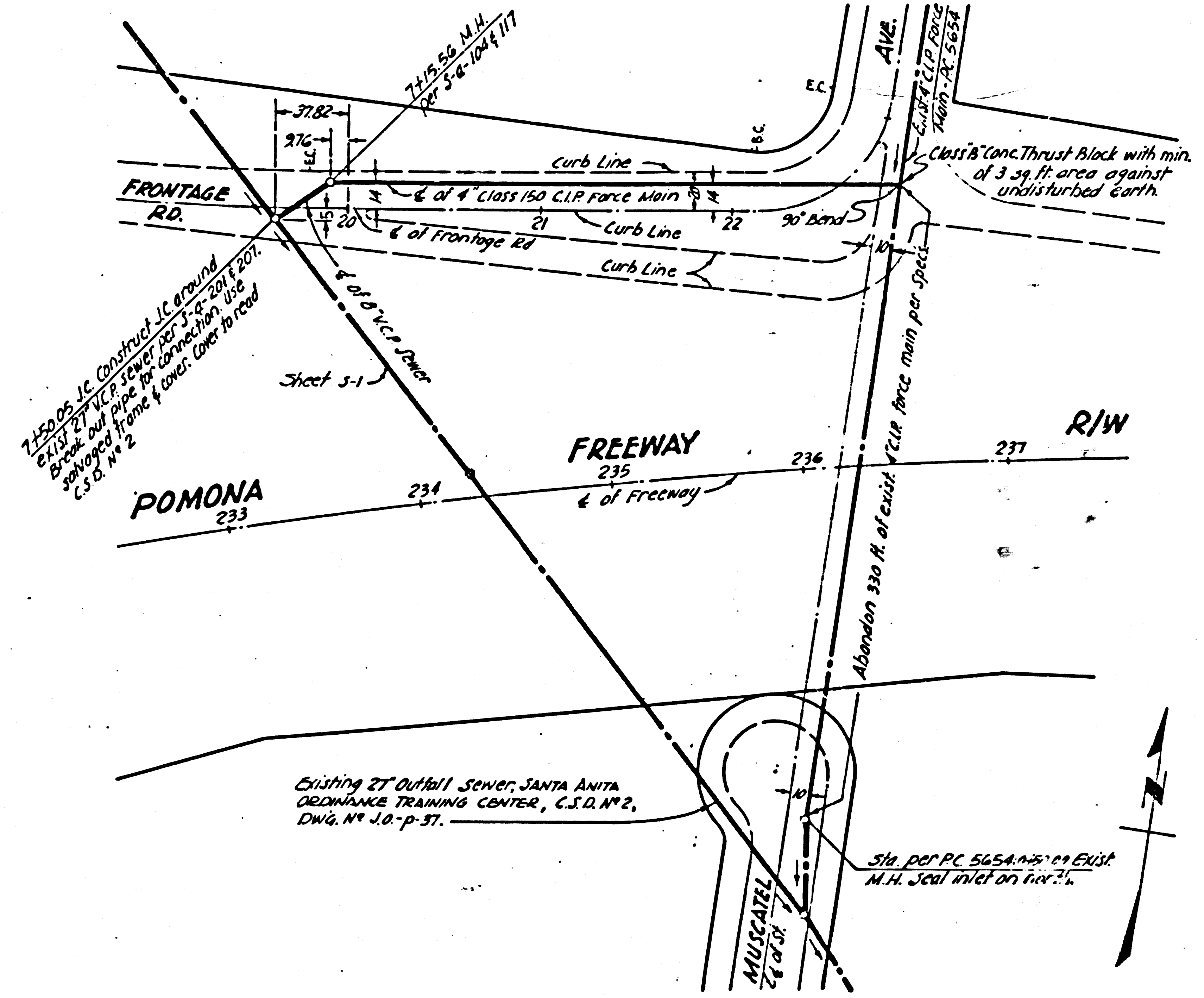
BM 236-A-GO Elev 233.93 L-2161 Page 31  
 Muscatel Ave & Fawcett Ave.  
 Spike & In, northeast straddler for intersection.

Ca. Est.  
 Yds. Emb.  
 Sta.

Approved \_\_\_\_\_ Dist. Eng. \_\_\_\_\_

38955

PC. 6352  
SHEET S-2 OF 9 SHEETS

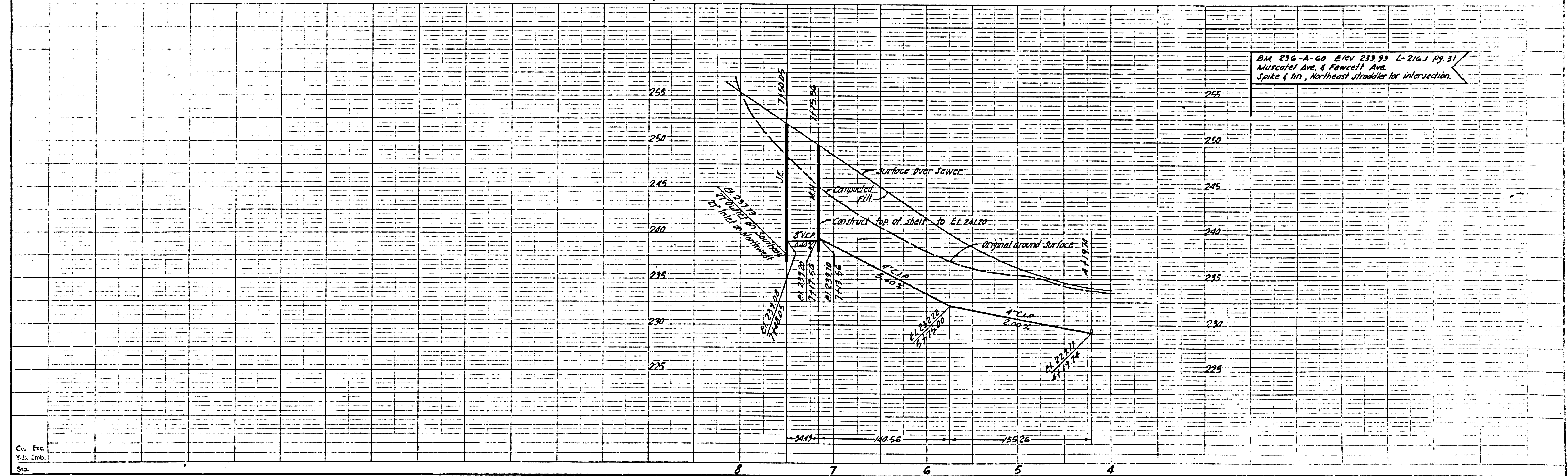


Existing 27' Outfall Sewer, SANTA ANITA  
ORDNANCE TRAINING CENTER, C.S.D. #2,  
DWG. NO. JA-P-37.

Sta. 236+00 PC 5654.47' to Exist.  
M.H. Seal Inlet on line 36.

Note

The Resident Engineer shall notify  
Mr. Carl Pearson, County Sewer Maintenance  
Superintendent, M.A. 9-4747, Ext. 8144,  
at least 24 hours before starting work on  
the 4" C.I.P. force main.

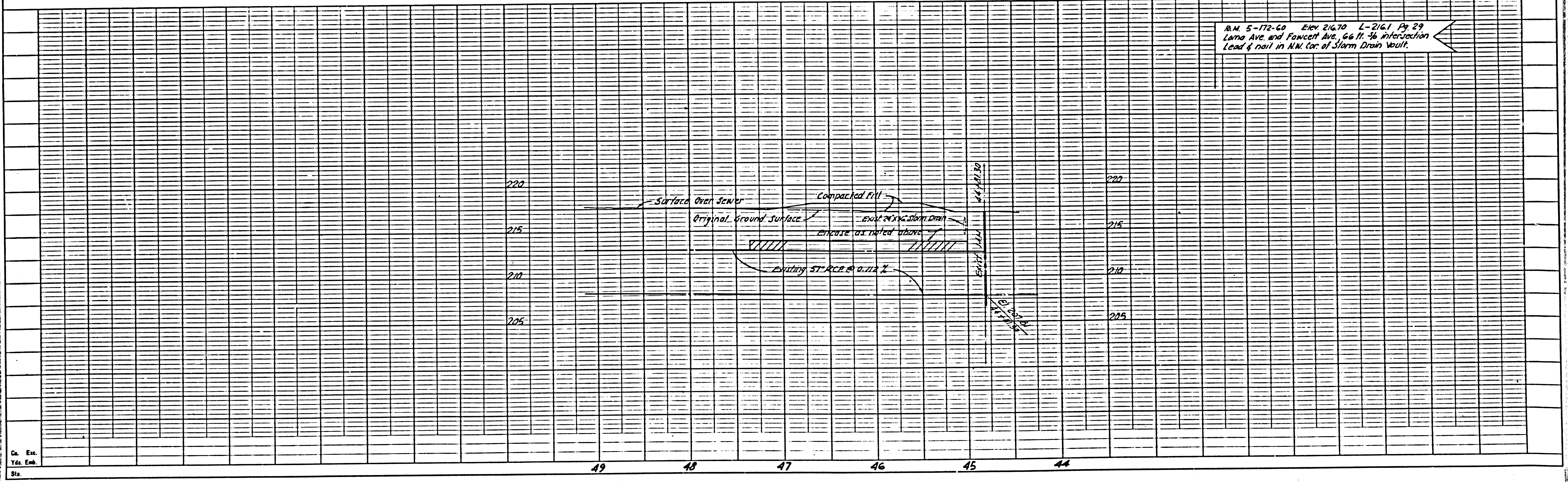
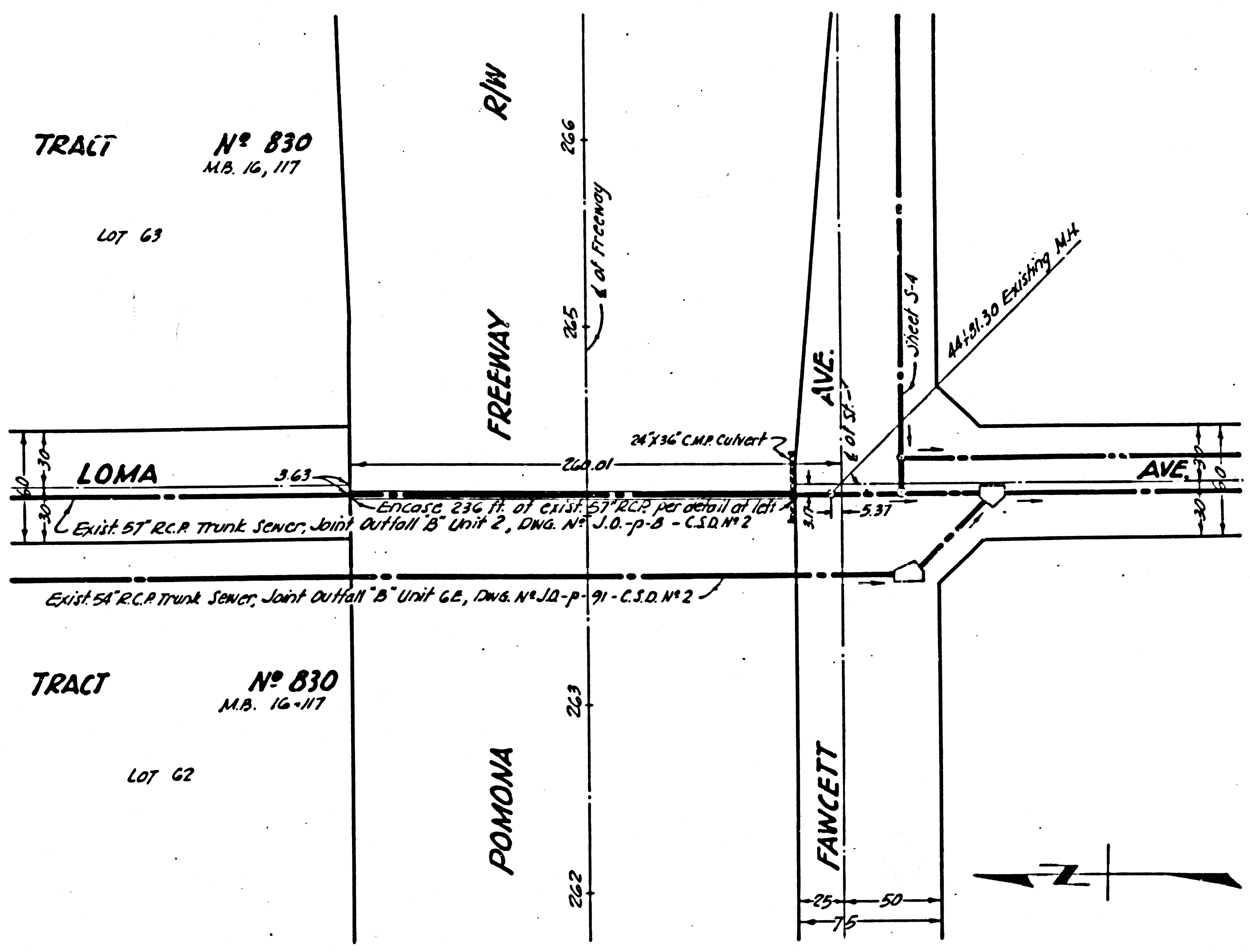
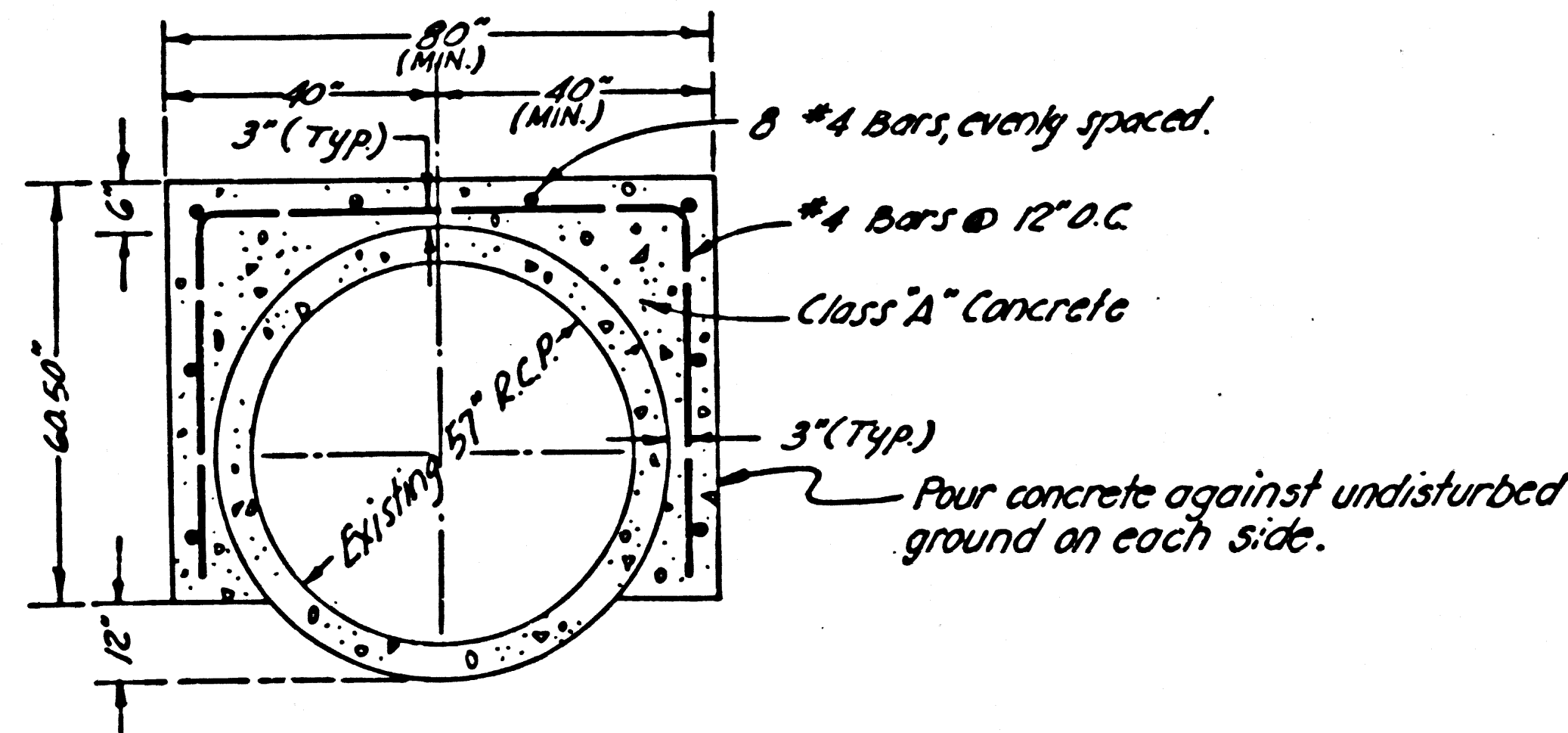


Cv. Exc.  
Yds. Emb.

Project Engineer Date Design Engineer Date Approval Recommended By Date

Dist. Eng. Dist. \_\_\_\_\_  
 Approved \_\_\_\_\_

**38956**  
**P.C. 6352**  
 SHEET 5-3 OF 9 SHEETS

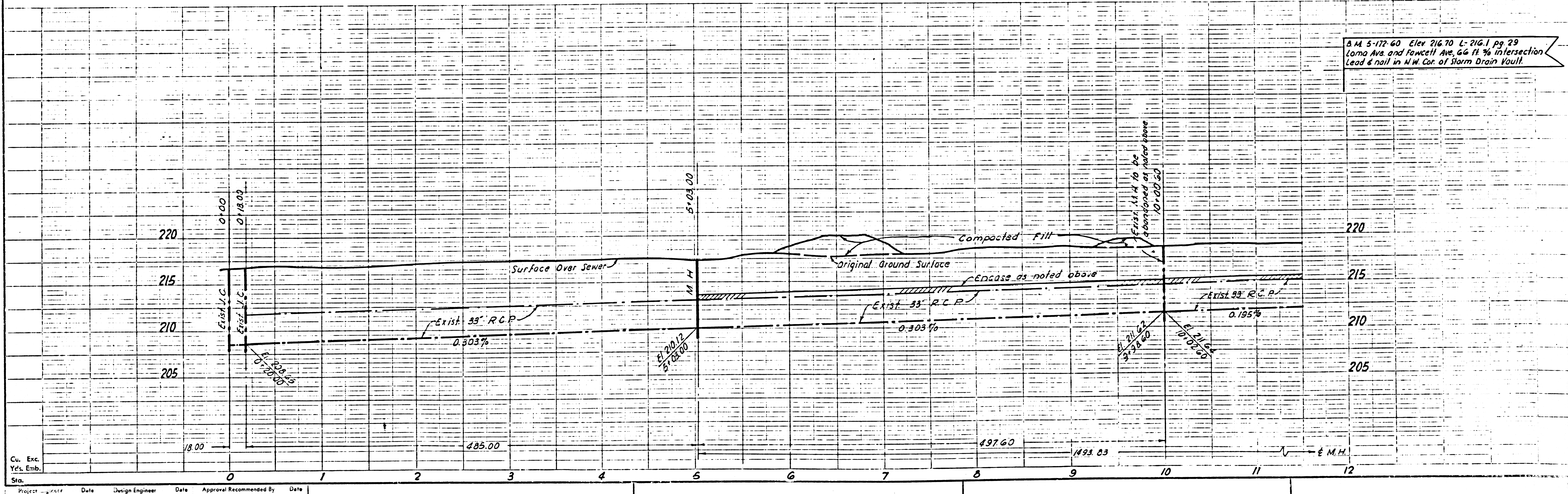
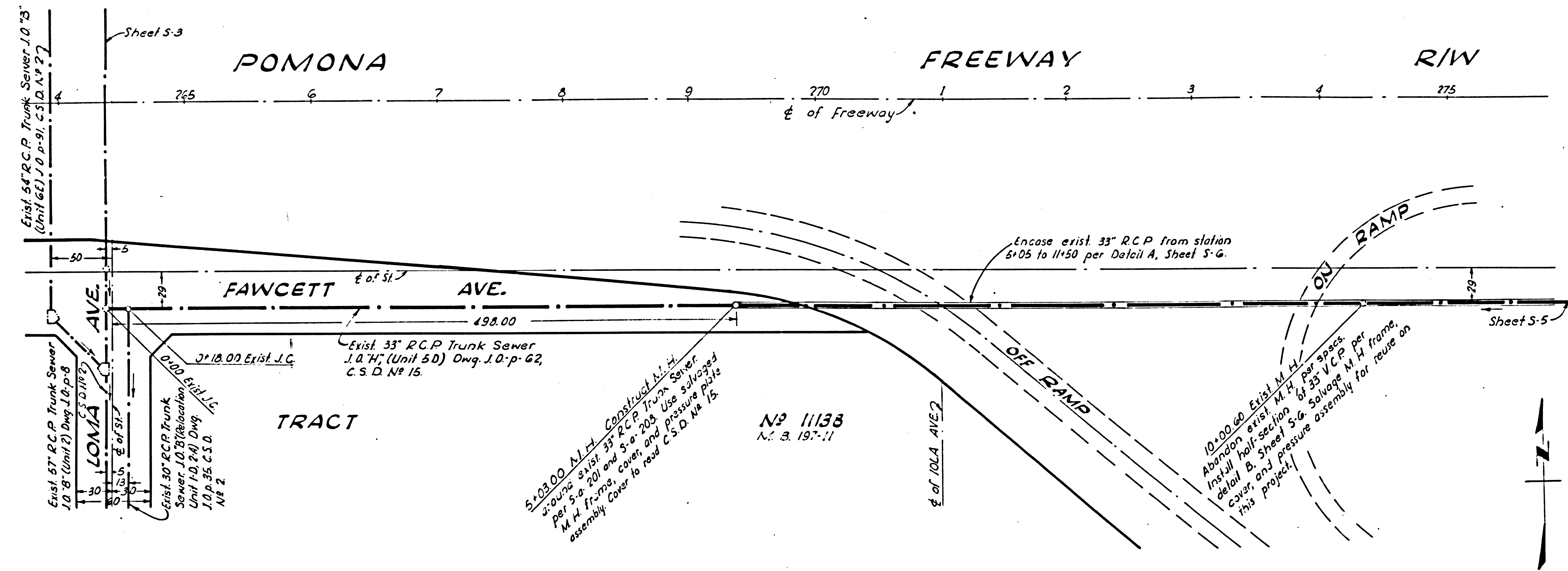


8 P.M.	STATE	PROJECT NO.
DIV. NO.	CITY	
7	VII LA	172

Approved: \_\_\_\_\_  
Dist. Engr. \_\_\_\_\_

38957

PC. 6352  
SHEET 5-4 OF 9 SHEETS



3 M 5-172-60 Elev 216.70 L-216.1 pg. 29  
Loma Ave. and Fawcett Ave. 66 ft. % intersection  
Lead & nail in N.W. Cor. of Storm Drain Vault.

Cu. Exc. \_\_\_\_\_  
Yds. Emb. \_\_\_\_\_  
Sta. \_\_\_\_\_  
Project \_\_\_\_\_ Date \_\_\_\_\_  
Design Engineer \_\_\_\_\_ Date \_\_\_\_\_  
Approval Recommended By \_\_\_\_\_ Date \_\_\_\_\_

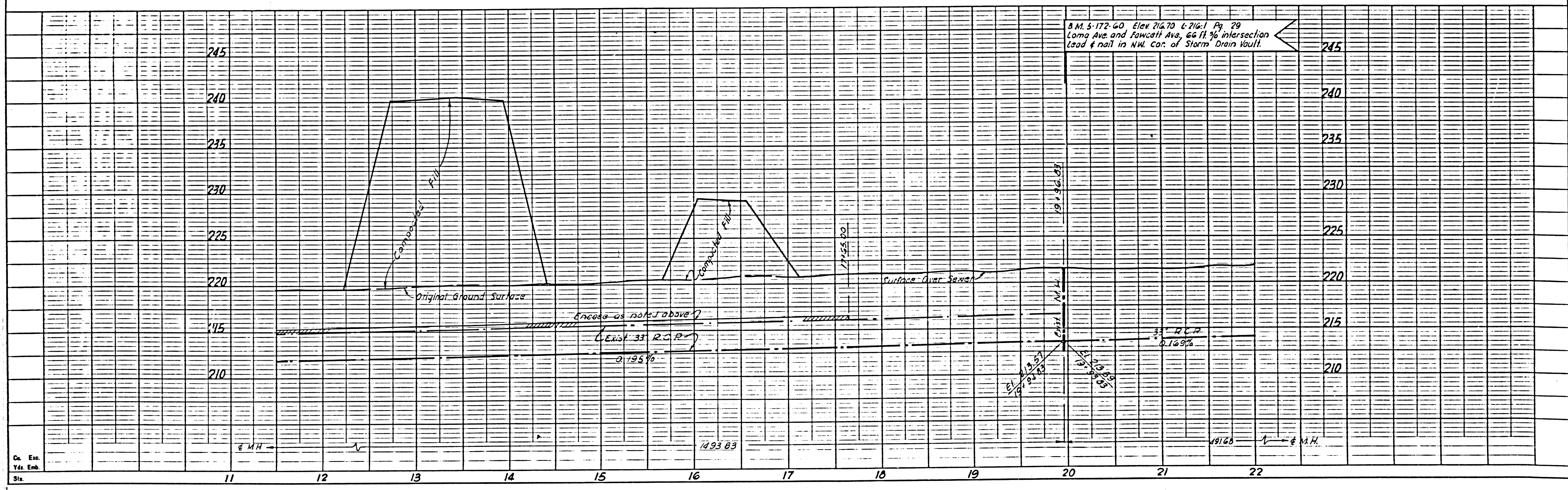
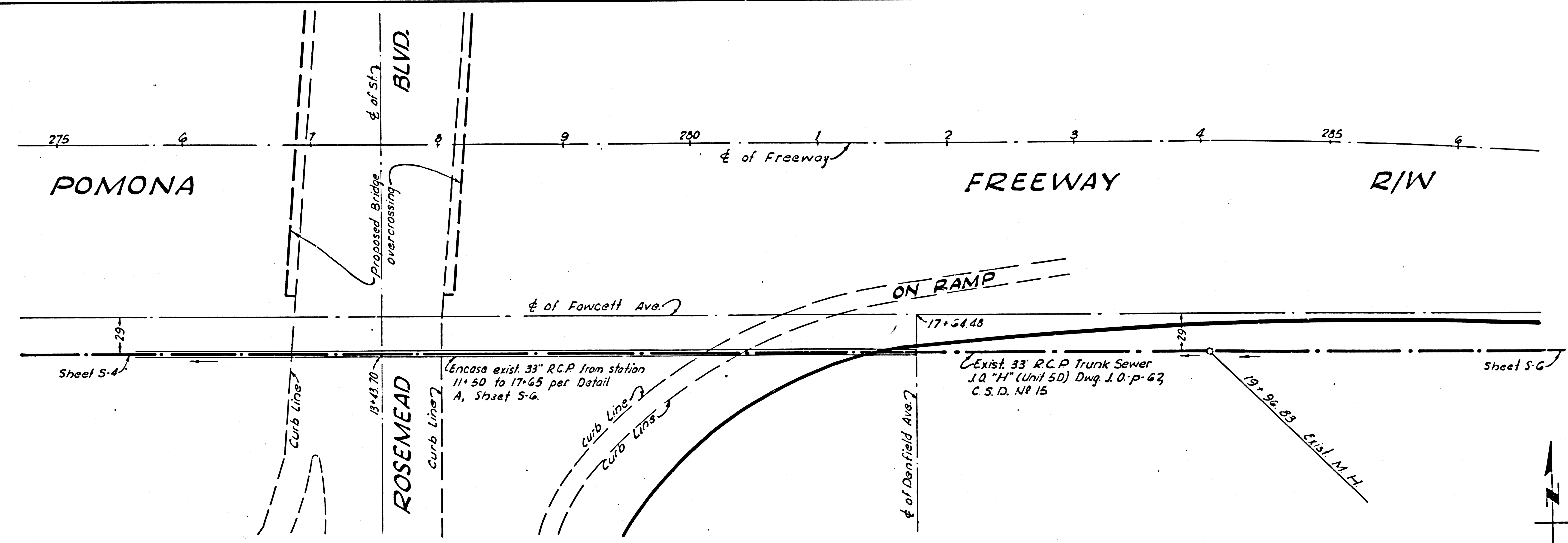
S.P.R. DIV. NO.	STATE	FEDERAL PROJECT NO.	SHEET NO.	TOTAL SHEETS
7	CALIF.			

DIST.	COUNTY	ROUTE	SEC.	SHEET NO.	TOTAL SHEETS
VII	LA	172			

Approved: \_\_\_\_\_ Dist. Eng. Dist. \_\_\_\_\_

38958

P.C. 6352  
SHEET 5-5 OF 9 SHEETS



B.M. 5-172-60 Elev 216.70 L 216:1 Pg. 29  
Loma Ave and Fawcett Ave. 66 ft 3/4 intersection  
Lead & nail in NW. Cor. of Storm Drain Vault.

Sta. 11 12 13 14 15 16 17 18 19 20 21 22

1493.83 19160

0.195% 0.169%

17+54.68 19+96.83

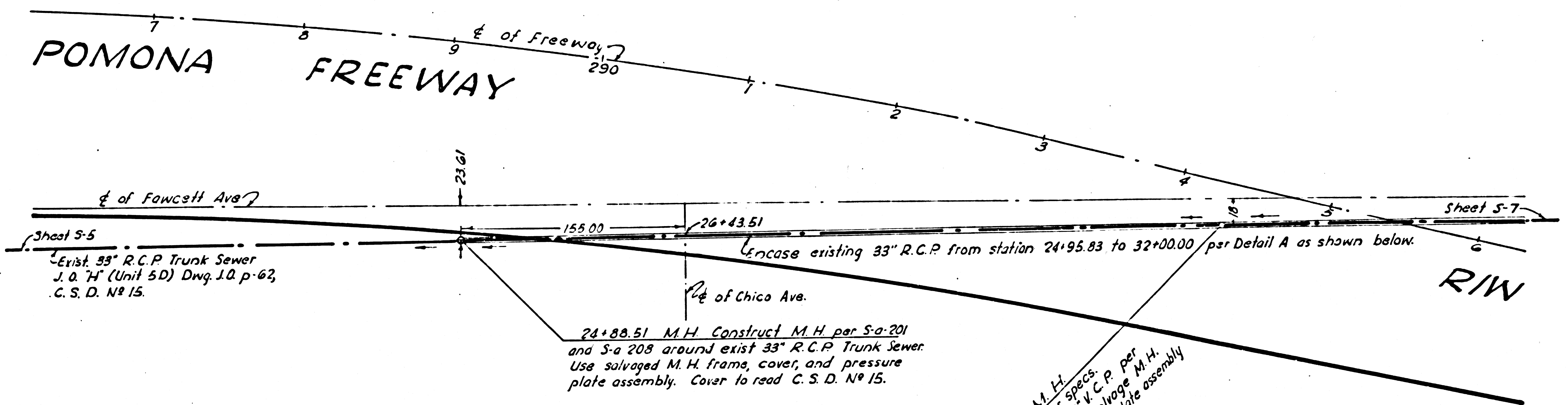
17+54.68 19+96.83

Approved \_\_\_\_\_ Dist. Eng. Dist. \_\_\_\_\_

38959

P.C. 6352

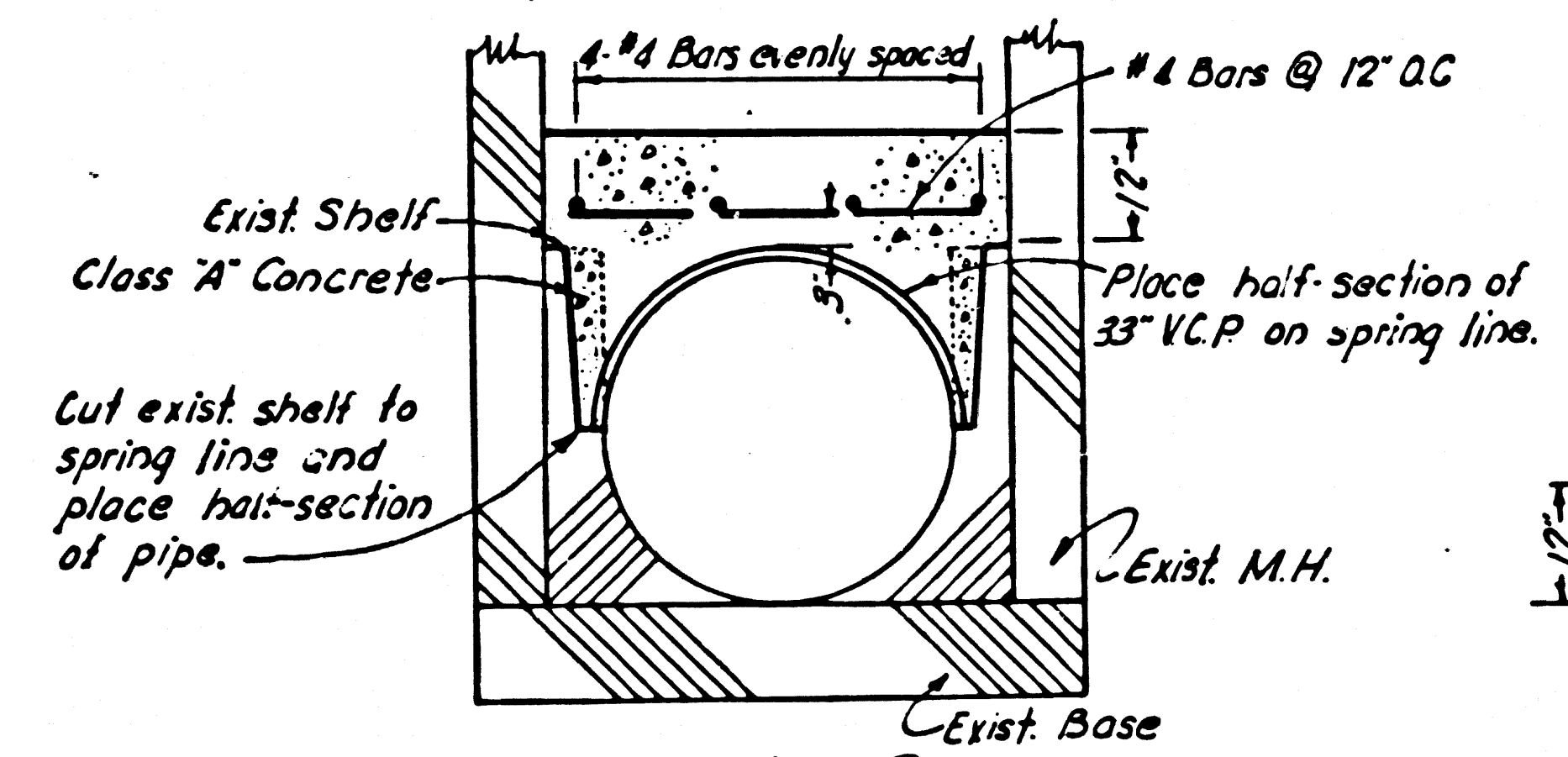
SHEET 5-6 OF 9 SHEETS



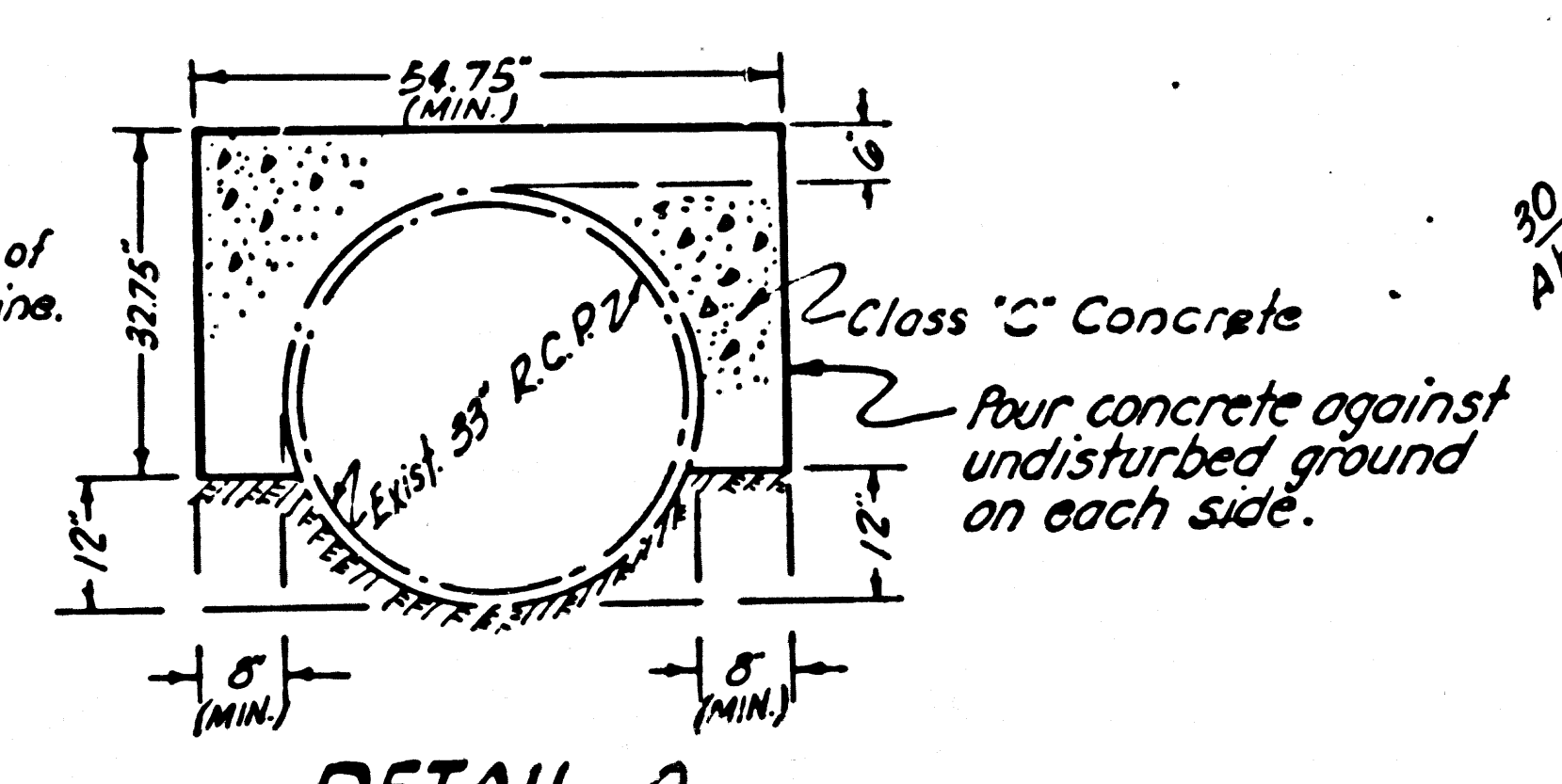
Sheet 5-5  
Exist 33" R.C.P. Trunk Sewer  
J. & H. (Unit 5D) Dwg. 1.0 p. 62  
C. S. D. No 15.

24+88.51 M.H. Construct M.H. per S-a-201 and S-a 208 around exist 33" R.C.P. Trunk Sewer. Use salvaged M.H. frame, cover, and pressure plate assembly. Cover to read C. S. D. No 15.

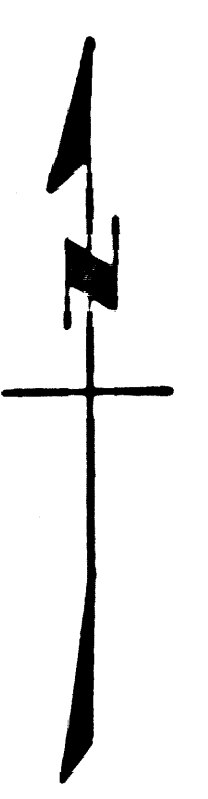
30+00.06 Exist. M.H.  
Abandon exist. M.H. per specs.  
Install half-section of 33" V.C.P. per  
Detail B shown at left. Salvage M.H.  
frame, cover, and pressure plate assembly  
for reuse on this project.



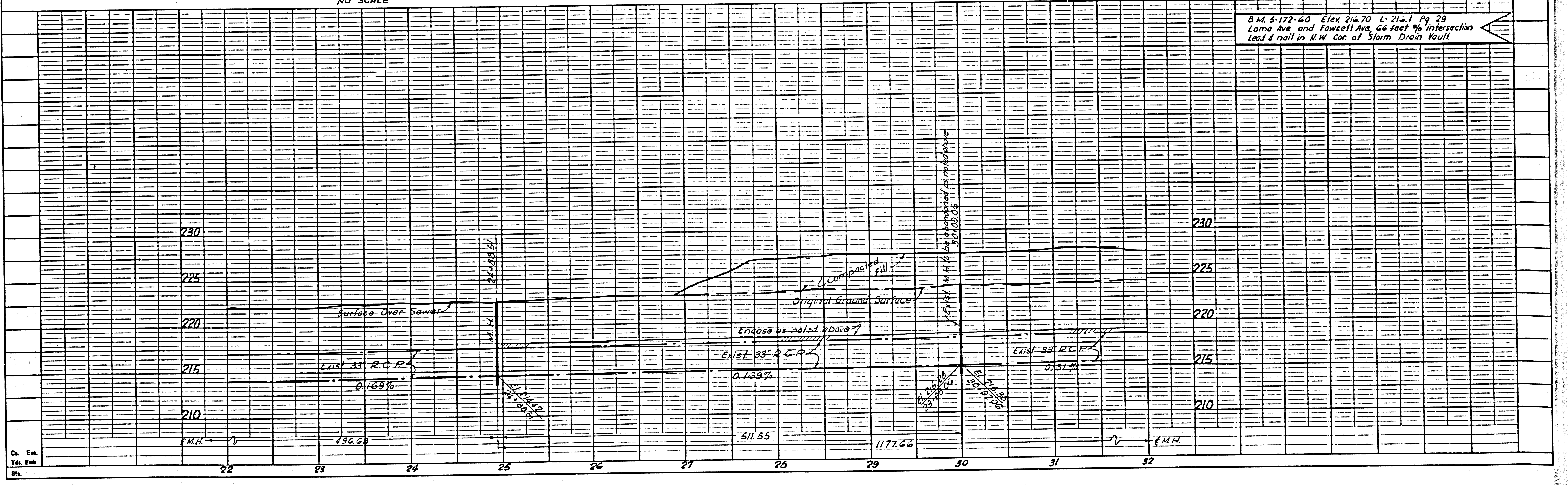
**DETAIL B**  
METHOD OF PLACING HALF-SECTION  
OF 33" V.C.P. ON EXIST. M.H. BASE  
AT STA. 10+00.60 & STA. 30+00.06  
NO SCALE



**DETAIL A**  
CONCRETE ENCASEMENT FOR  
EXIST. 33" R.C.P. IN FRWY. R/W  
NO SCALE



B.M. 5-172-60 Elev. 216.70 L-21a.1 Pg 29  
Lama Ave. and Fawcett Ave. 66 feet 7/8 intersection  
Lead & nail in N.W. Cor. of Storm Drain Vault.



Cs. Est.  
Yds. Emb.  
Sta.

DIST.	COUNTY	ROUTE	SEC.	SHEET NO.	TOTAL SHEETS
VII	LA	172			

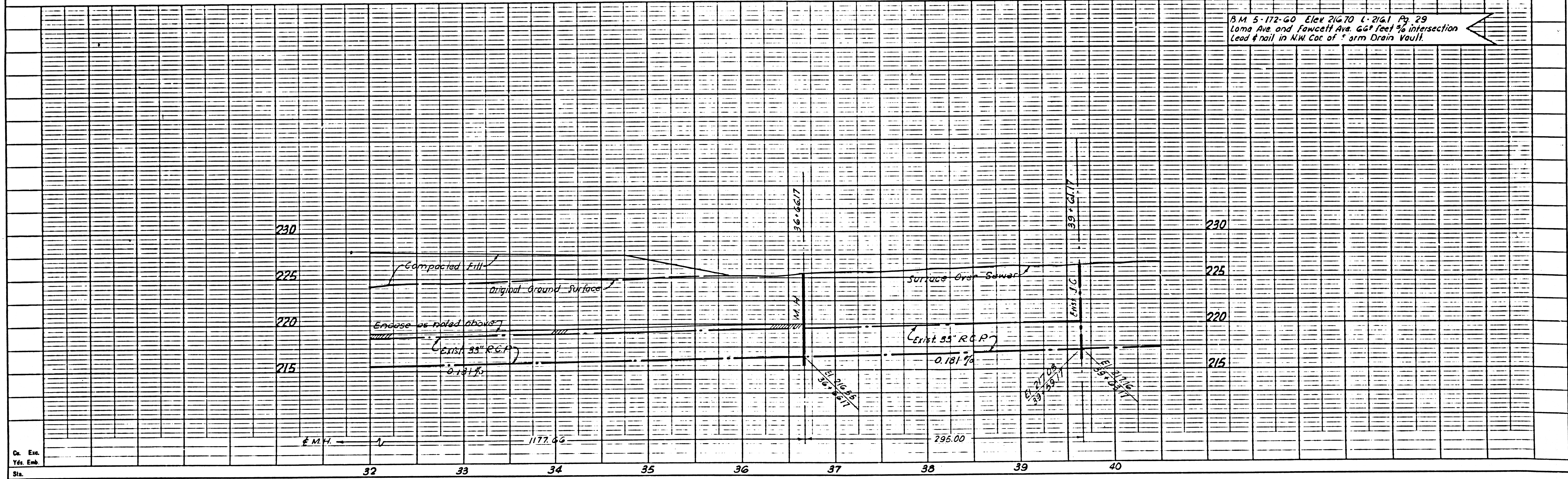
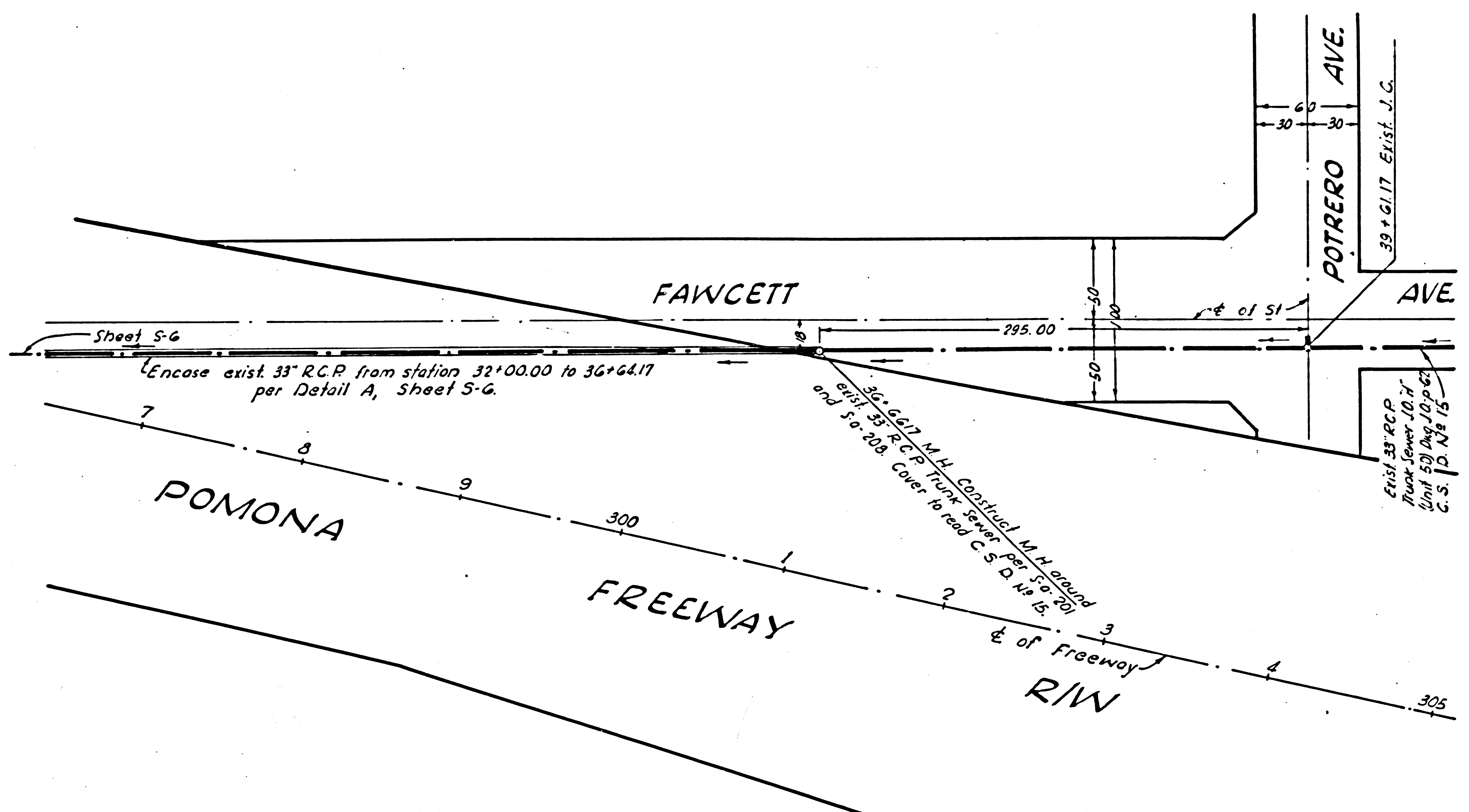
DIST.	COUNTY	ROUTE	SEC.	SHEET NO.	TOTAL SHEETS
VII	LA	172			

Approved: \_\_\_\_\_ Dist. Eng. Dist. \_\_\_\_\_

38960

PC. 6352

SHEET 5-7 OF 9 SHEETS



Dr. Exc.  
Yds. Emb.  
Sta.



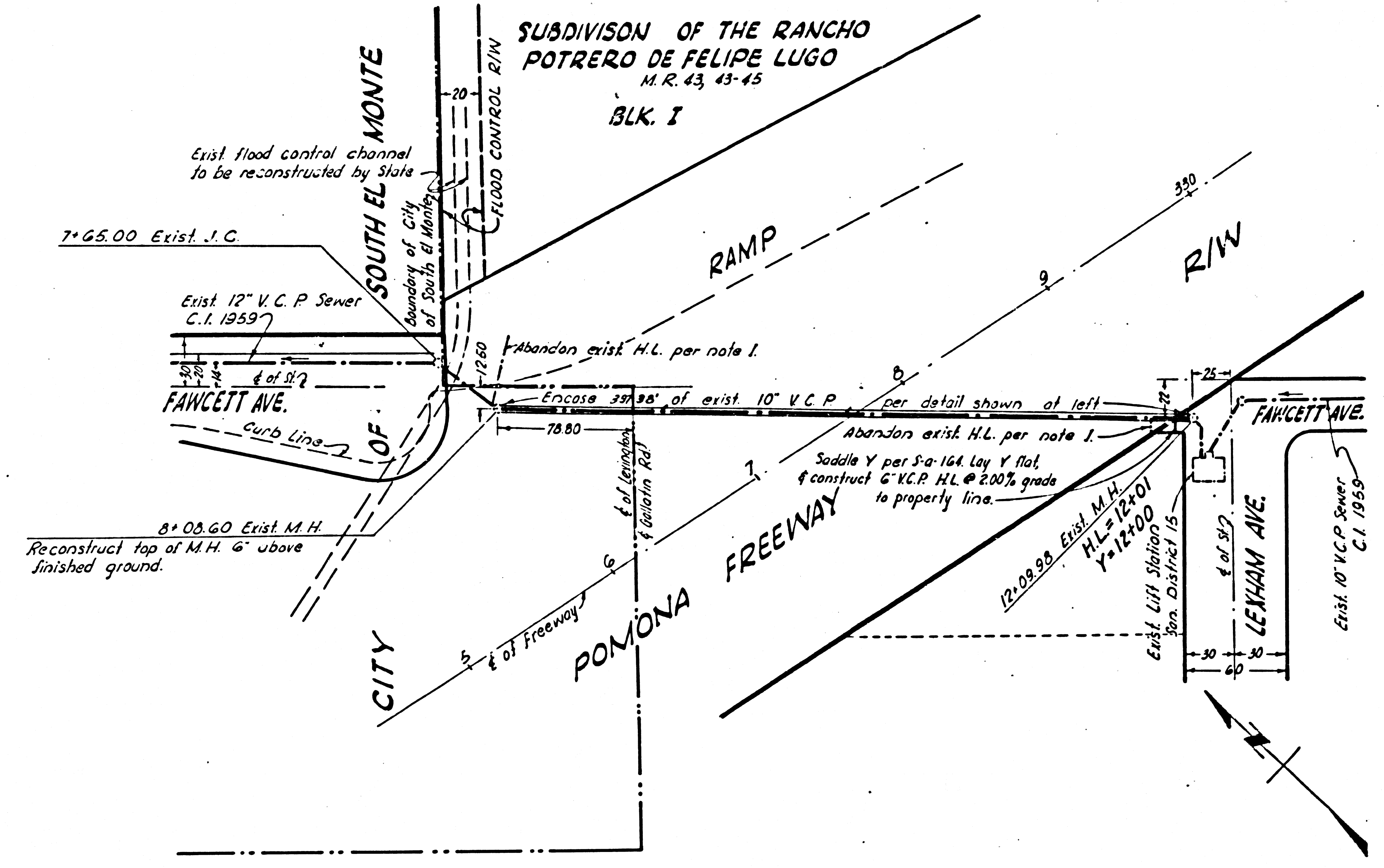
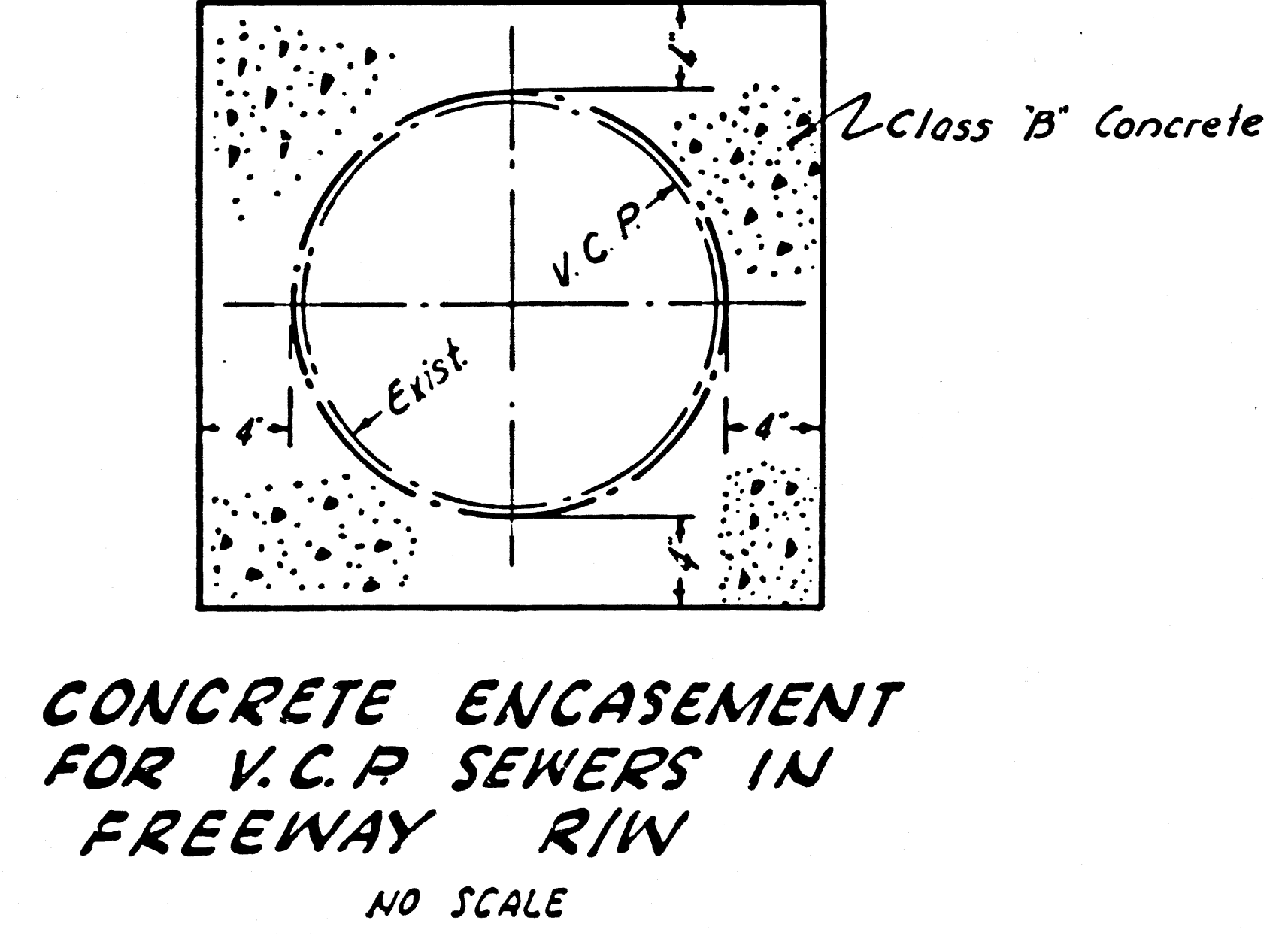
STATE	FEDERAL PROJECT NO.	SHEET NO.	TOTAL SHEETS
CALIF.		7	

DIST.	COUNTY	ROUTE	SEC.	SHEET NO.	TOTAL SHEETS
VII	LA	172			

Approved: \_\_\_\_\_ Dist. Eng. Dist. \_\_\_\_\_

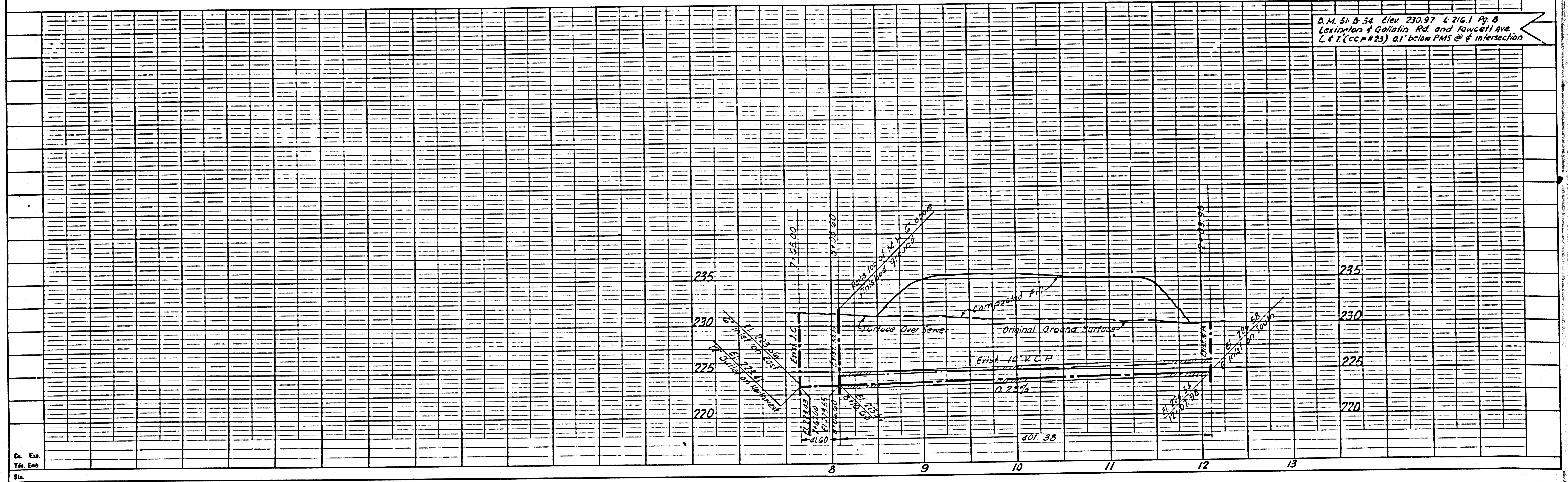
38961

PC. 6352  
SHEET 5-8 OF 9 SHEETS



**NOTE**  
1. Disconnect exist house laterals of Y stations 8+06 and 11+86. Seal Y's and H.L.'s per Specs.

B.M. 51-B-54 Elev. 230.97 L. 216.1 Py. B Lexington & Gallatin Rd. and Fawcett Ave. L & T (CC # 23) 0.1' below PMS @ intersection

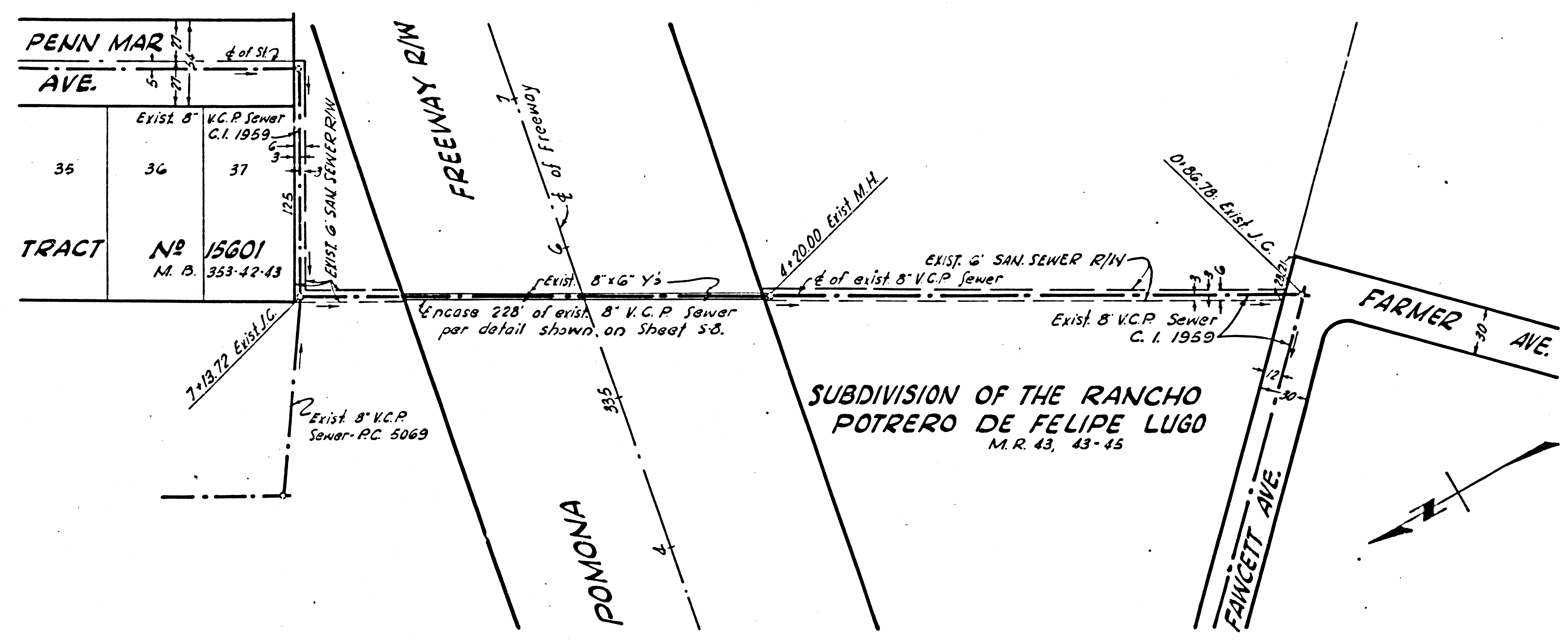


Co. Est.  
Yds. Emb.  
Sta.

Approved: \_\_\_\_\_

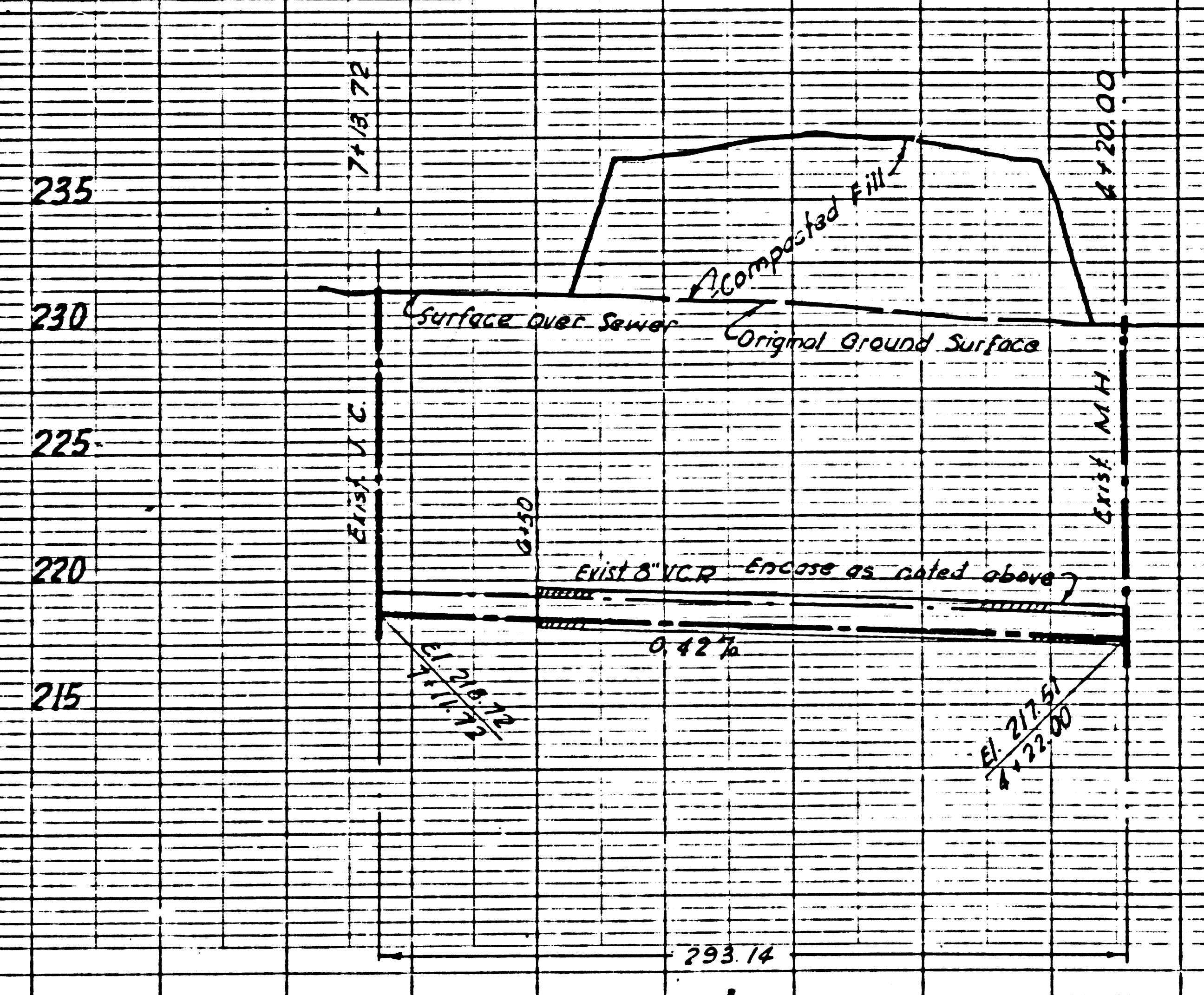
38962

P.C. 6352  
 SHEET 5-9 OF 9 SHEETS



SUBDIVISION OF THE RANCHO  
 POTRERO DE FELIPE LUGO  
 M.R. 43, 43-45

B.M. 50-B-54 Elev 229.55 L 216.1 Pp. 8  
 S side Farmer Ave, front of Hse. # 1023  
 Cut spk. in PP # 701956E 1' above ground



Cu. Exc.	
Yds. Emb.	
Sta.	
Project Engineer	Date
Design Engineer	Date
Approval Recommended By	Date