

DOUBLE SCALE WEST HOLLYWOOD BUILDING DISTRICT No. 9

P.C. 6510
PAGE 1
J.N. 0650.08

B.M.M.W. 78 ELEV. 169.042
SAN VICENTE BLVD. & ROSEWOOD AVE.
N.W. COR. BT. SPK. IN N. END OF CATCH
BASIN. F.B. 2197-42

WEST HOLLYWOOD RELIEF SEWERS PRIVATE CONTRACT NO. 6510

PROFILE, ALIGNMENT AND GRADE OF
SANITARY SEWERS
TO BE CONSTRUCTED IN

LA CIENEGA BOULEVARD AND OTHER RIGHTS OF WAY

36507

5 SHEETS, 9 PAGES

SCALE VERT. 1" = 8'
HORIZ. 1" = 80'

MAY 1964

COUNTY OF LOS ANGELES, CALIFORNIA

JOHN A. LAMBE

COUNTY ENGINEER

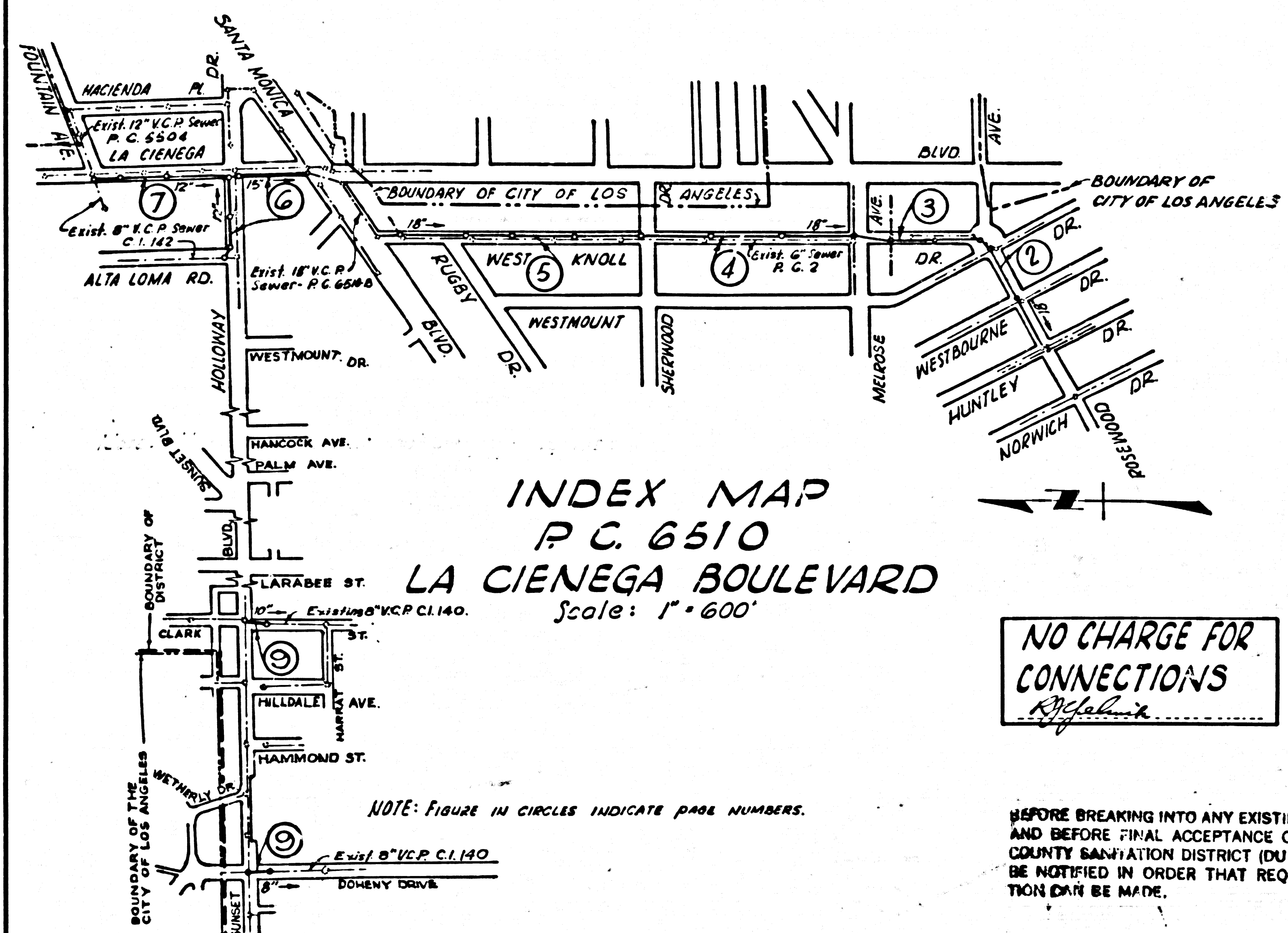
APPROVED BY *[Signature]*
SANITATION ENGINEER

J. D. PARKHURST
CHIEF ENGINEER OF COUNTY
SANITATION DISTRICT NO. 9
APPROVED BY *[Signature]*
OFFICE ENGINEER

DESIGNED BY *[Signature]*
REG. C. E. NO. 10,653

NOTES:
WORK SHALL BE CONSTRUCTED ACCORDING TO STANDARD SPECIFICATIONS DATED MAY 25, 1962, ON FILE IN THE OFFICE OF THE COUNTY ENGINEER AND SHALL BE PROSECUTED ONLY IN THE PRESENCE OF THE COUNTY ENGINEER.
GRADES TO WHICH THIS IMPROVEMENT IS TO BE CONSTRUCTED ARE SHOWN ON PLANS AND PROFILE GRADE POINTS FOR TOP OF CURB, CENTER LINE OF STREET OR CENTER LINE OF ALLEY ARE SHOWN BY CIRCLES ON PLANS AND PROFILE GRADE POINTS BETWEEN DESIGNATED POINTS THE GRADE SHALL BE ESTABLISHED SO AS TO CONFORM TO A STRAIGHT LINE DRAWN BETWEEN SAID DESIGNATED POINTS.
ELEVATIONS ARE IN FEET ABOVE U.S.C. & G.S. SEA LEVEL DATUM OF 1929.
UNIT PRICES FOR ADDITIONAL WORK WHICH MAY BE REQUIRED BUT WHICH CANNOT BE ASCERTAINED IN ADVANCE, SHALL BE SUBMITTED IN THE PROPOSAL.
THIS DRAWING AND THE DATA HEREON ARE HEREBY MADE A PART OF THE SPECIFICATIONS.

LAYOUT	HONDA - ESQUER	FEB 1964	UNDERGROUND	R. W. Scott	5-28-64
TRACED	HONDA - ESQUER	MARCH 1964	BENCH MARKS	R. W. Scott	5-28-64
CHECKED	SHIPLEY-YELINEK	MAY 1964	MAINTENANCE	W. J. [Signature]	5-28-64
F. B. #337, 4338, 4339, 5555			INSPECTOR		
A. B. 2157, 2708, 2713			RECORD PLANS		



USE EXTRA STRENGTH PIPE. ALL PIPE IS STANDARD DEPTH EXCEPT AS NOTED.
USE MECHANICAL COMPRESSION JOINTS FOR ALL VITRIFIED CLAY PIPE SEWERS PER SPEC. SECS. 34, 46, & 49.
ALL STRUCTURES SHALL BE BRICK SEWER STRUCTURES AS PER PLAN NO. S-104, EXCEPT AS NOTED.
USE STANDARD MANHOLE FRAMES AND COVERS AS PER PLAN NO. S-117, EXCEPT AS NOTED.
HOUSE LATERALS MAY BE CONNECTED DURING CONSTRUCTION OF MAIN LINE SEWER.
USE CASE 8' REQUIRE FOR SEWER PIPE PER 2'-6" DIA. IN ROSEWOOD AVENUE FROM HUNLEY DRIVE TO WESTMOUNT DRIVE AND IN WESTMOUNT DRIVE FROM ROSEWOOD AVENUE TO HUNLEY DRIVE.
FIGURES IN CIRCLES AT ENDS OF HOUSE LATERALS INDICATE DEPTH BELOW CURB OF GRADE, OR GRADE OF CENTER LINE OF STREET.
APPROVAL OF THIS PLAN BY THE COUNTY OF LOS ANGELES DOES NOT CONSTITUTE A REPRESENTATION AS TO THE ACCURACY OF THE LOCATION OR THE EXISTENCE OR NON-EXISTENCE OF ANY UNDERGROUND PIPE OR STRUCTURE WITHIN THE LIMITS OF THIS PROJECT.
PLANS IN EXISTING HOUSE LATERALS AND MAIN LINE SEWERS SHALL BE MAINTAINED DURING CONSTRUCTION.
ALL HOUSE LATERALS SHALL BE CONSTRUCTED IN A STRAIGHT ALIGNMENT AT RIGHT ANGLES TO THE MAIN LINE SEWER EXCEPT AS SHOWN ON THE PLANS. HOUSE LATERALS FROM CHIMNEYS SHALL NOT HAVE AN ANGLE OF LESS THAN 45 DEGREES WITH THE MAIN LINE SEWER.
THE CONTRACTOR SHALL NOTIFY THE CONSTRUCTION DIVISION BY TELEPHONE HADISON 9-4742, EXT. 81561 AT LEAST 24 HOURS BEFORE STARTING ANY WORK UNDER THIS CONTRACT.
CONSTRUCTION IN STATE HIGHWAYS SHALL CONFORM WITH STATE HIGHWAY PERMIT AND THE CONTRACTOR SHALL PAY ALL COSTS IN CONNECTION THEREWITH.
ALL STATE AND LOCAL TRENCH SAFETY ORDERS WILL BE RIGIDLY ENFORCED.
RESURFACING SCHEDULE: RESURFACE TRENCH WITHIN PAVED AREA WITH PREMIUM ROCE AND OIL 2" INCHES IN THICKNESS EXCEPT AS NOTED BELOW:

PAGE NO.	STREET	PAVED AREA		TYPE OF RESURFACING
		FROM	TO	
2	ROSEWOOD AVENUE	1400	8100	5" ASPHALTIC CONCRETE ON 7" OF AGGREGATE BASE.
3	WESTMOUNT DRIVE	7154	7182	8" CEMENT CONCRETE
4	LA CIENEGA BLVD	0415	3435	REPLACE TO JOINTS OR SCORES WITH CEMENT CONCRETE EQUAL IN THICKNESS TO THE THICKNESS OF THE MATERIAL REMOVED.
		3495	4176	
6	LA CIENEGA BLVD	3435	3495	7" ASPHALTIC CONCRETE
6B	HOLLOWAY DRIVE	0487	5707	7" ASPHALTIC CONCRETE
7A	CLARK STREET	1400	1433	7" PREMIUM ROCE AND OIL ON 6" OF AGGREGATE BASE.
9B	DOHENY DRIVE	1400	1435	7" PREMIUM ROCE AND OIL ON 6" OF AGGREGATE BASE.

ALL CONCRETE CROSS GUTTERS, CURBS, GUTTERS, PAVEMENT, AND DRIVEWAYS SHALL BE TUNNELED OR JACKED PER LOS ANGELES COUNTY ROAD DEPARTMENT REQUIREMENTS.
THE FOLLOWING LATEST REVISED STANDARD PLANS ON FILE IN THE OFFICE OF COUNTY ENGINEER SHALL APPLY IN THE CONSTRUCTION OF THIS PROJECT:
STANDARD CHIMNEY PIPE S-8-3
STANDARD LEGHOLD S-8-4
STANDARD BRICK SEWER STRUCTURE S-104 & S-104A
STANDARD MANHOLE FRAME AND COVER S-117
STANDARD MANHOLE STEPS S-112
STANDARD STOPPER S-120
STANDARD WYE SUPPORT S-171
STANDARD SUPPORT AND PROTECTION OF SEWER PIPES S-172
STANDARD BEDDING FOR SEWER PIPES S-179
MINIMUM EXCAVATION SAFETY REQUIREMENTS S-180
STANDARD BRICK MANHOLE STRUCTURE (S&M DIST.) S-8-204
STANDARD MANHOLE FRAME AND COVER (S&M DIST.) S-8-207

THE UNDERGROUND UTILITY COMPANIES WITHIN THE LIMITS OF THIS PROJECT ARE AS FOLLOWS:
1) Beverly Hills Water Co.
2) Pacifi. Calif. Gas Co.
3) Pacific Telephone Co.
4) Los Angeles City Water Co.
5) Ornamental Lighting (A.L.) County

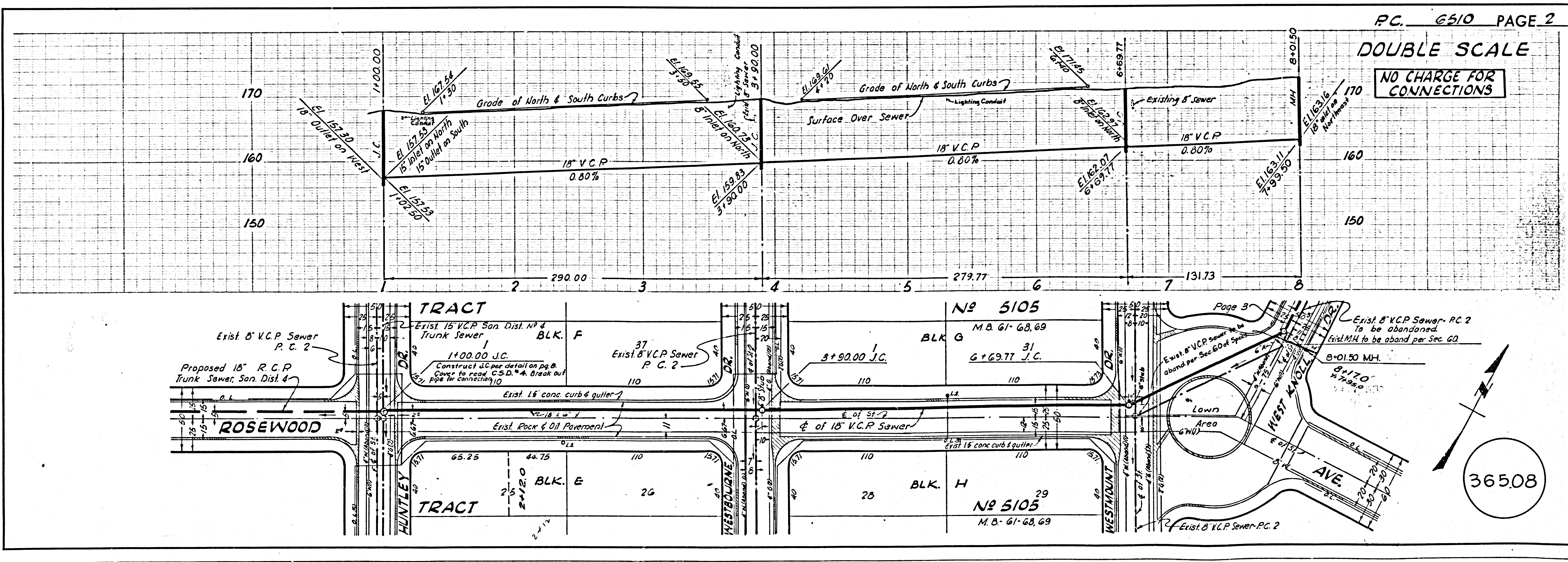
NO CHARGE FOR
CONNECTIONS

NO CONNECTIONS FOR THE DISPOSAL OF INDUSTRIAL WASTES SHALL BE MADE TO SEWERS SHOWN ON THESE DRAWINGS WITHOUT WRITTEN PERMISSION FROM THE CHIEF ENGINEER AND GENERAL MANAGER OF THE COUNTY SANITATION DISTRICT.

BEFORE BREAKING INTO ANY EXISTING STRUCTURE AND BEFORE FINAL ACCEPTANCE OF THIS WORK, COUNTY SANITATION DISTRICT (DU 4-1261) SHALL BE NOTIFIED IN ORDER THAT REQUIRED INSPECTION MAY BE MADE.

P.C. 6510 PAGE 2

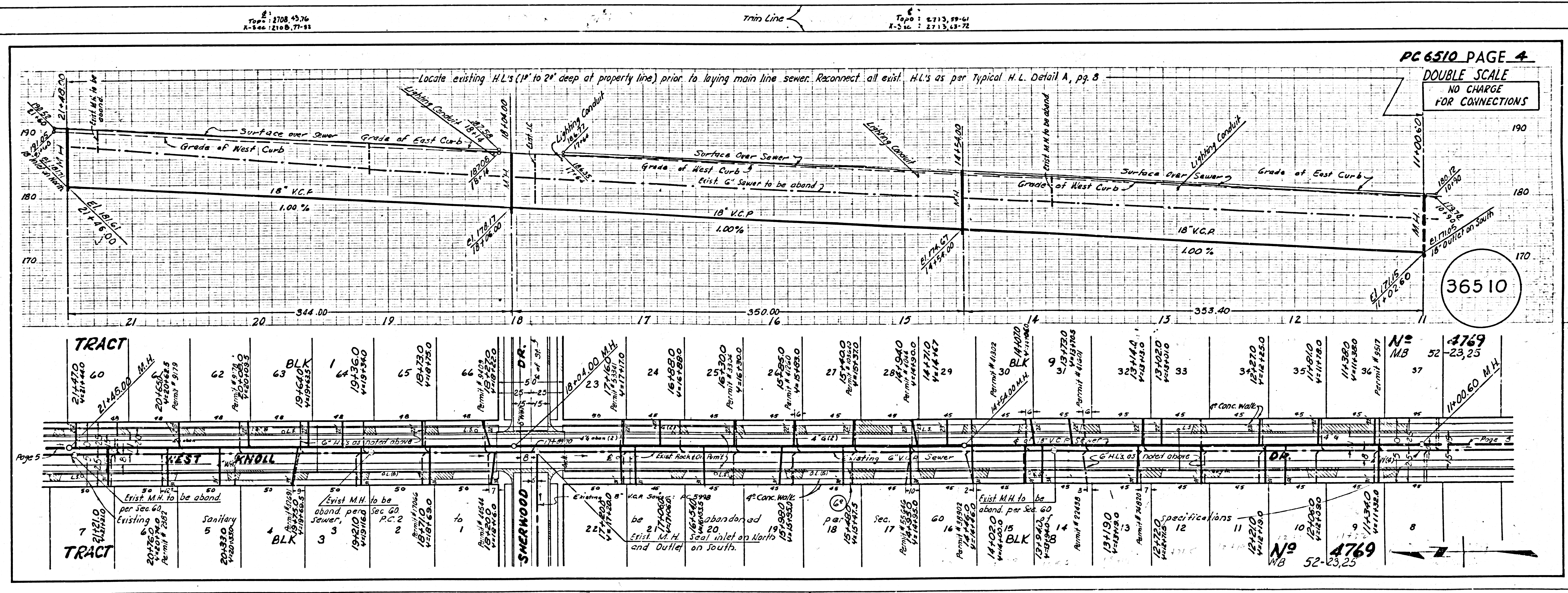
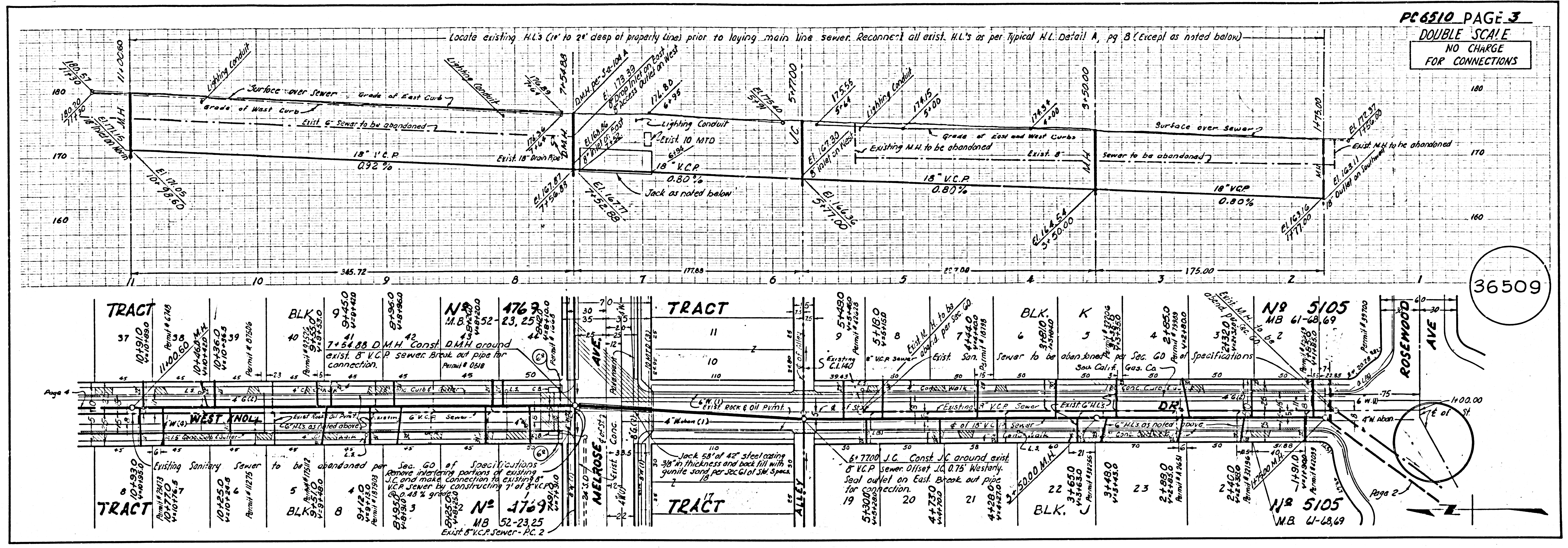
DOUBLE SCALE
NO CHARGE FOR CONNECTIONS



5' - F.B. 2709
1000' - F.B. 2713-37-42
1' Sect. - F.B. 2713-43-58

DOUBLE SCALE WEST HOLLYWOOD RELIEF SEWERS

WEST HOLLYWOOD RELIEF SEWERS



ME 100 000000 00 007

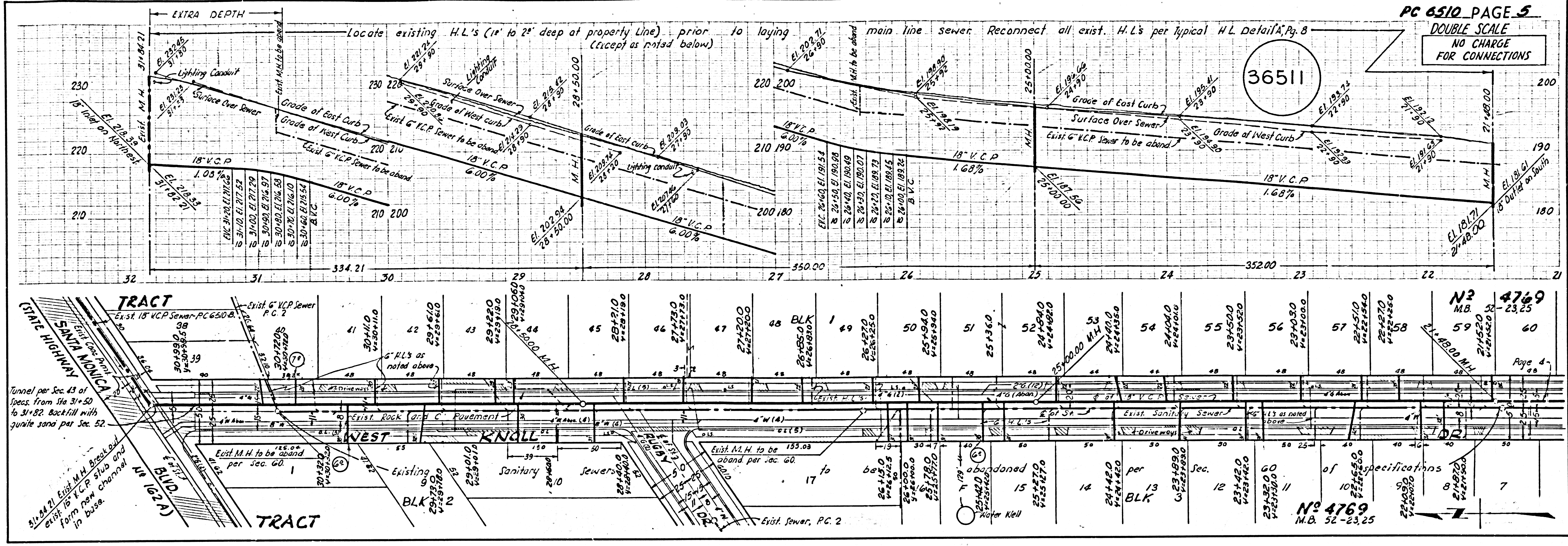
Topo: F.B. 2713: 73-74
X-Sec: F.B. 2713: 77-79

Topo: 2713: 89-91
X-Sec: 2713: 83-72

MILWAUKEE OFFICE CENTER

WEST HOLLYWOOD RELIEF SEWERS

DOUBLE SCALE
NO CHARGE
FOR CONNECTIONS



36511

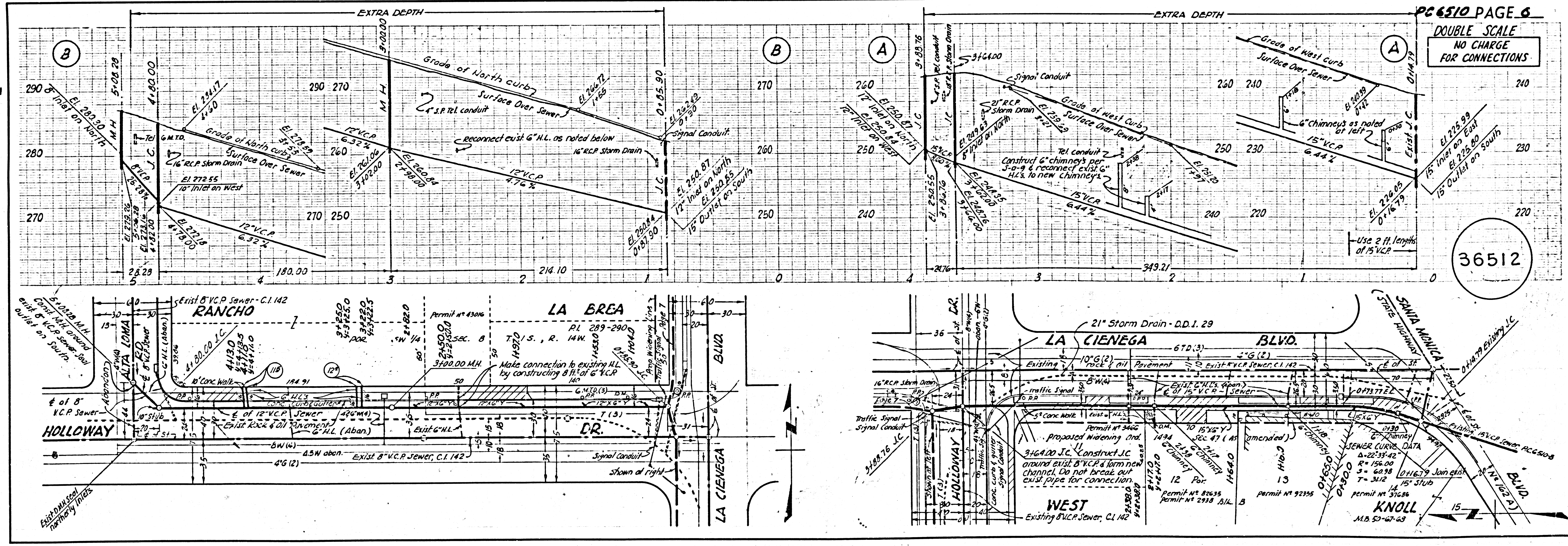
N^o 4769
M.B. 52-23,25

N^o 4769
M.B. 52-23,25

Trim Line 7

Trim Line 8

DOUBLE SCALE
NO CHARGE
FOR CONNECTIONS



36512

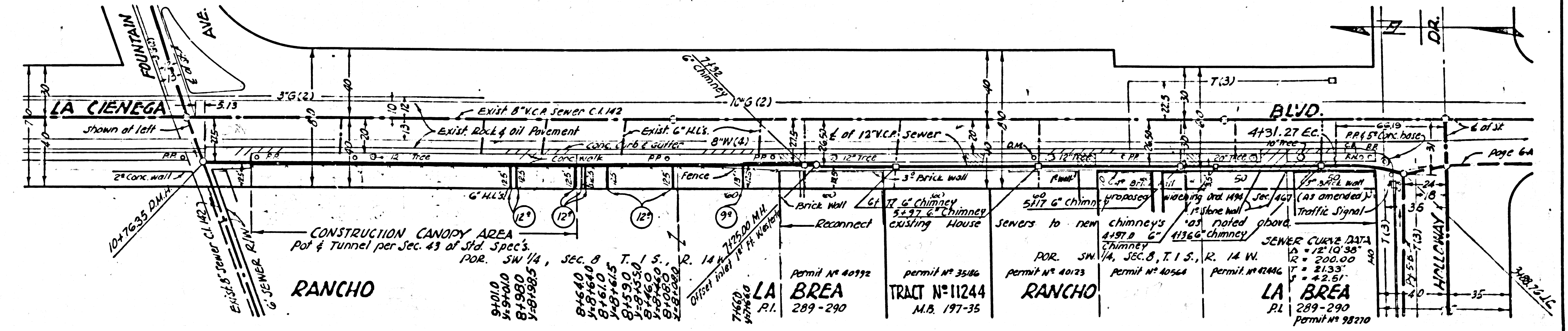
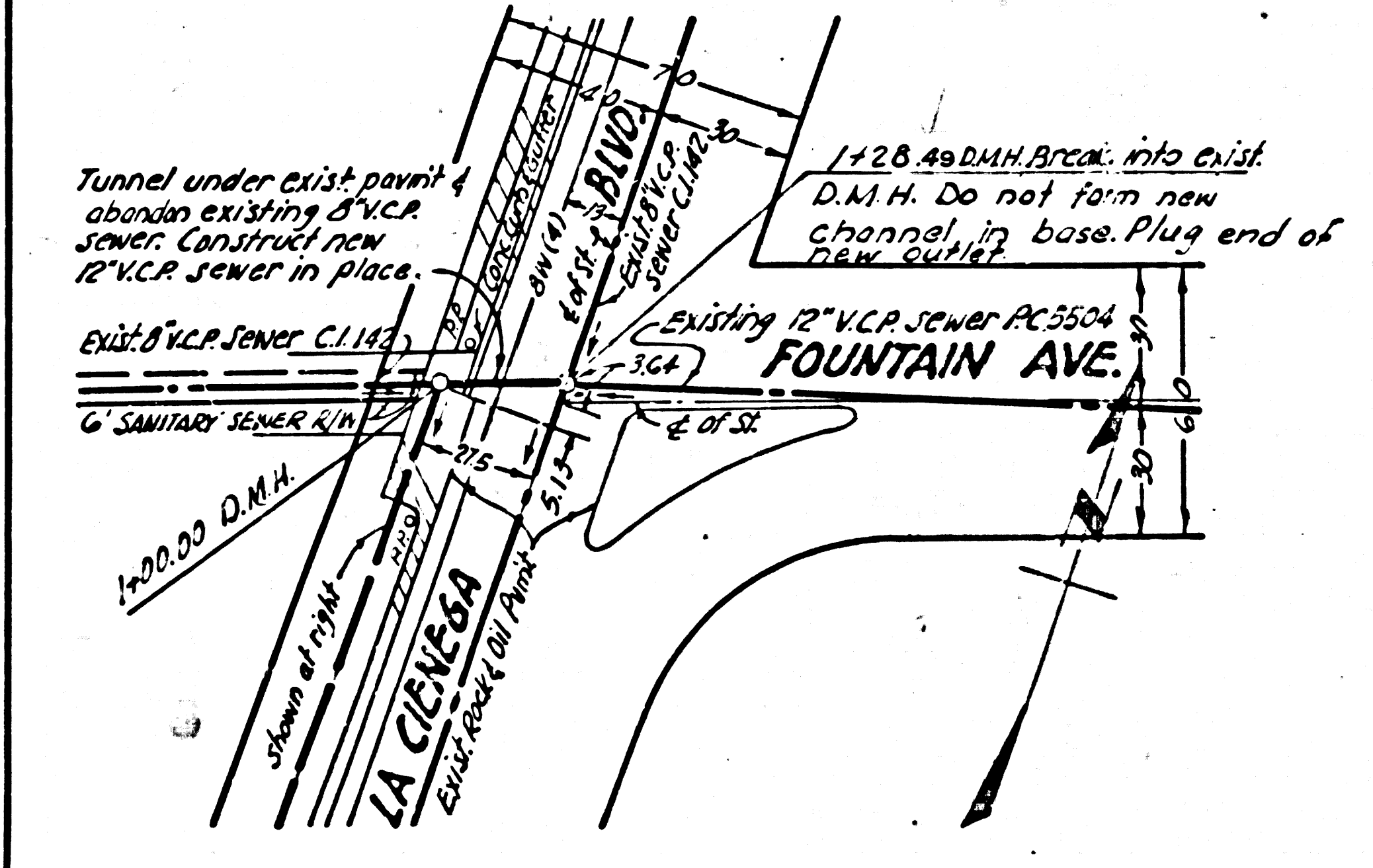
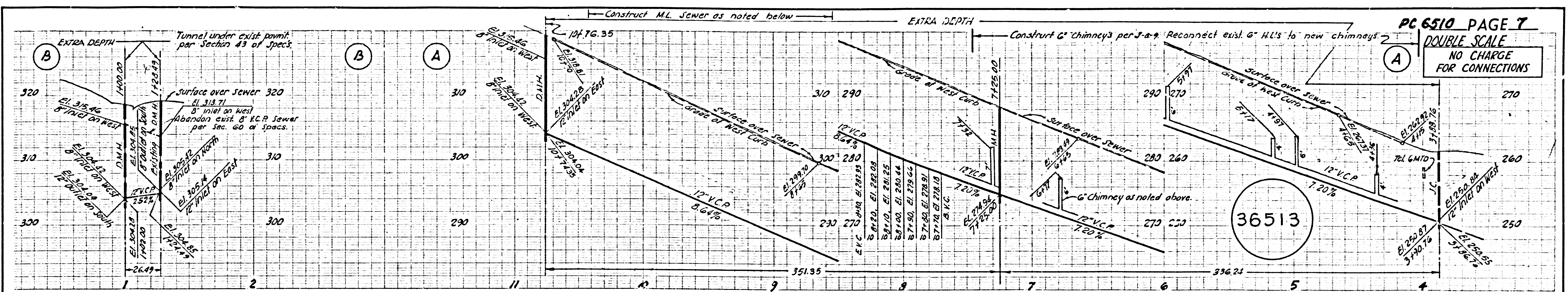
N^o 4769
M.B. 52-23,25

N^o 4769
M.B. 52-23,25

291M32 ALI2A CONDUIT 1014 TRAIN

ME21 HORTWOOD RELIEF SEWERS

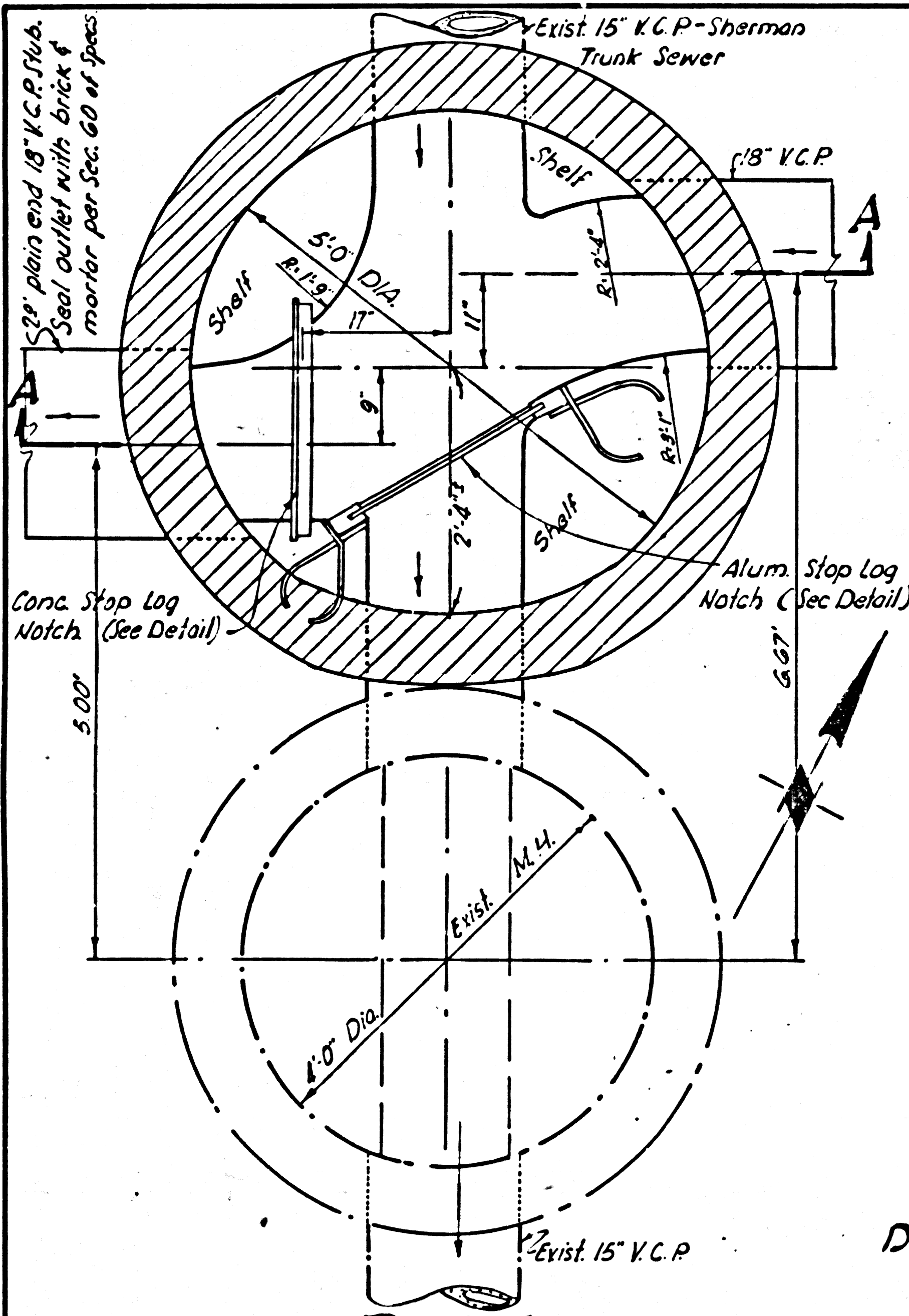
PC 6510 PAGE 7
DOUBLE SCALE
NO CHARGE
FOR CONNECTIONS



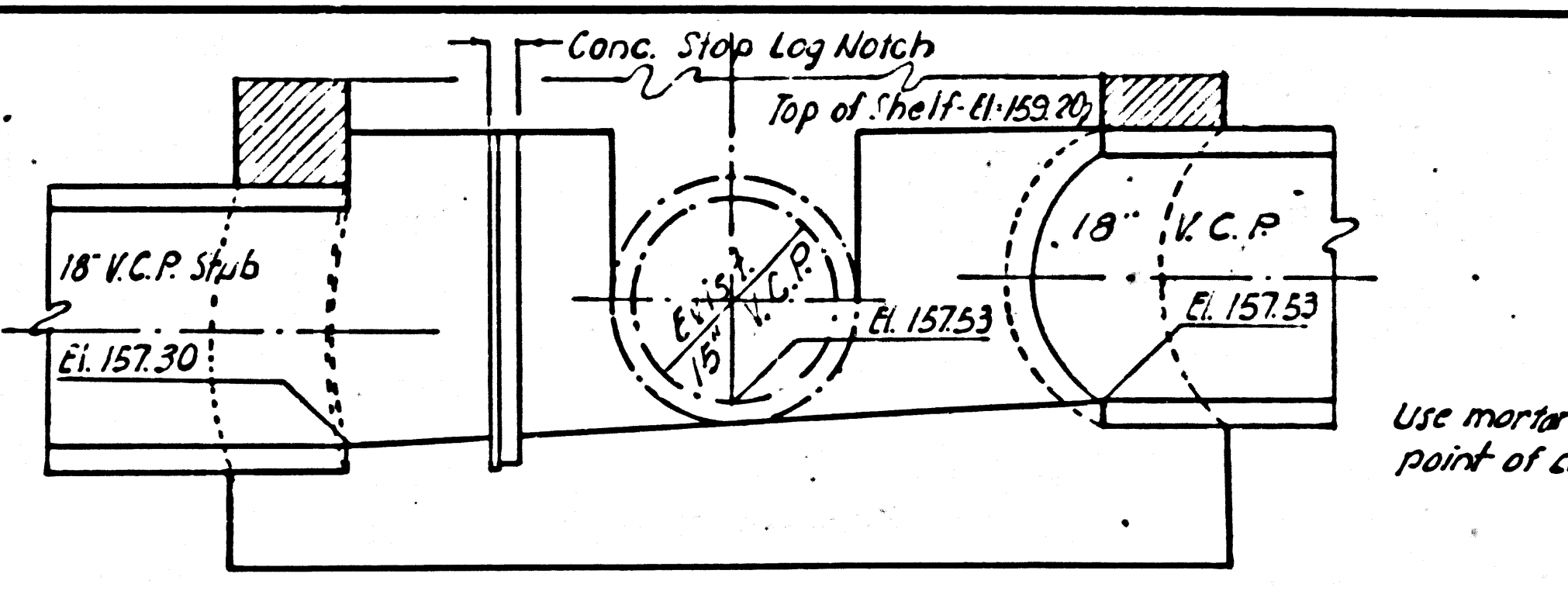
E.F.A. 2720 P. 35, 57-60
T.D.R.A. = 2713 101-106
X-SEC. = 2713 107-116

E.F.A. 2720 35, 57-60
T.D.R.A. = 2713 101-106
X-SEC. = 2713 107-116

PC 6510 PAGE 8

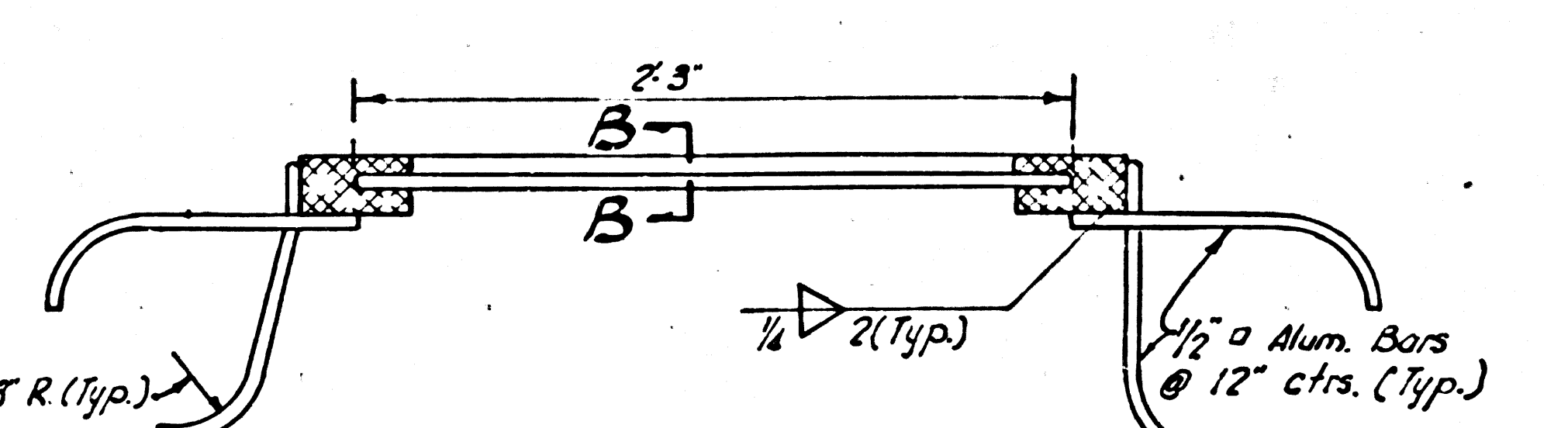


STD. J.C. TYPE A WITH 58" BASE. SAN. DIST. NO. 4
AT STA. 1400.00, PAGE 2

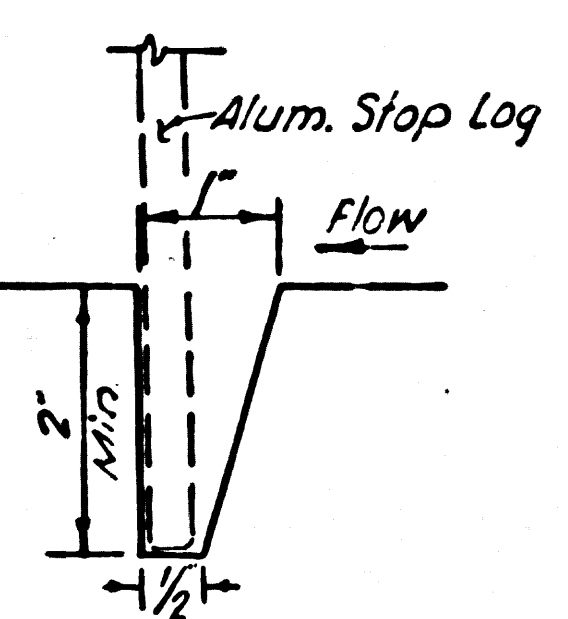


SECTION A-A

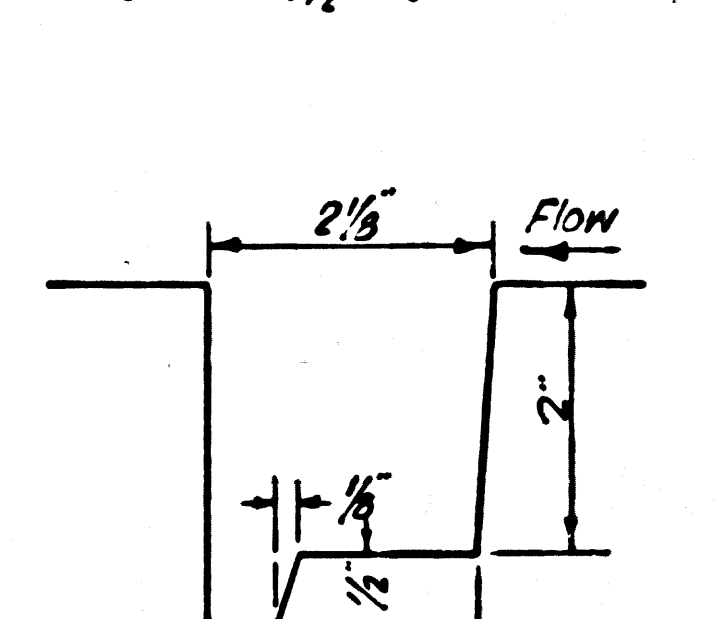
Note: See Std. Dwg. S-a-201 for typical construction details not shown here.



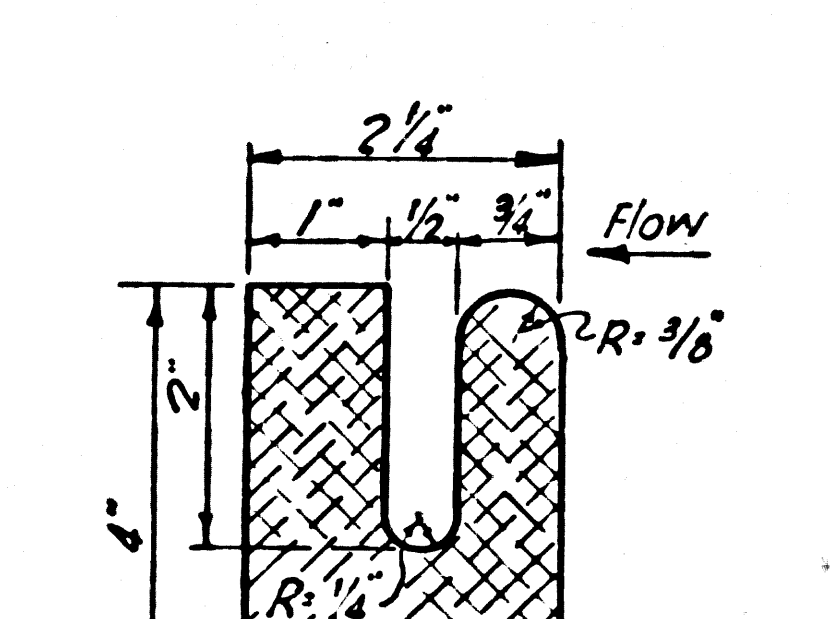
ALUMINUM STOP LOG NOTCH
SCALE: 1/2" = 1'-0"



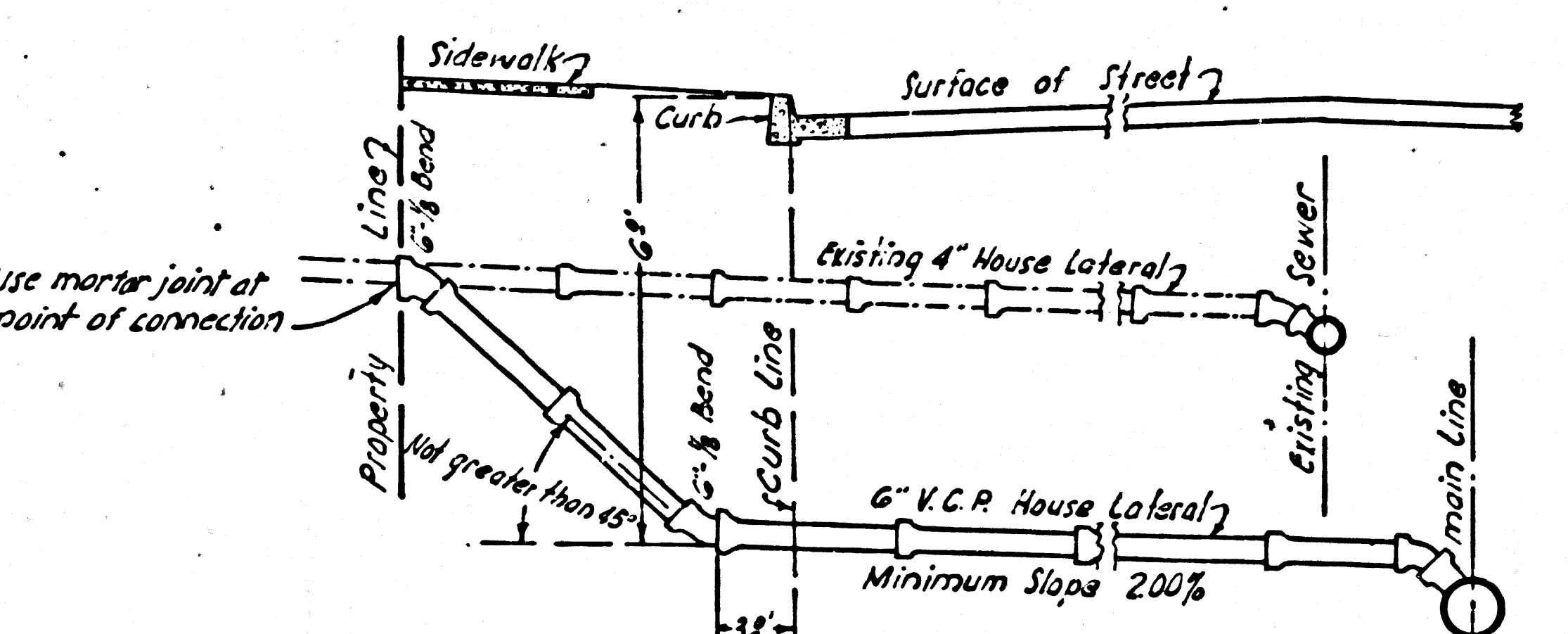
DETAIL B-B
Half Scale



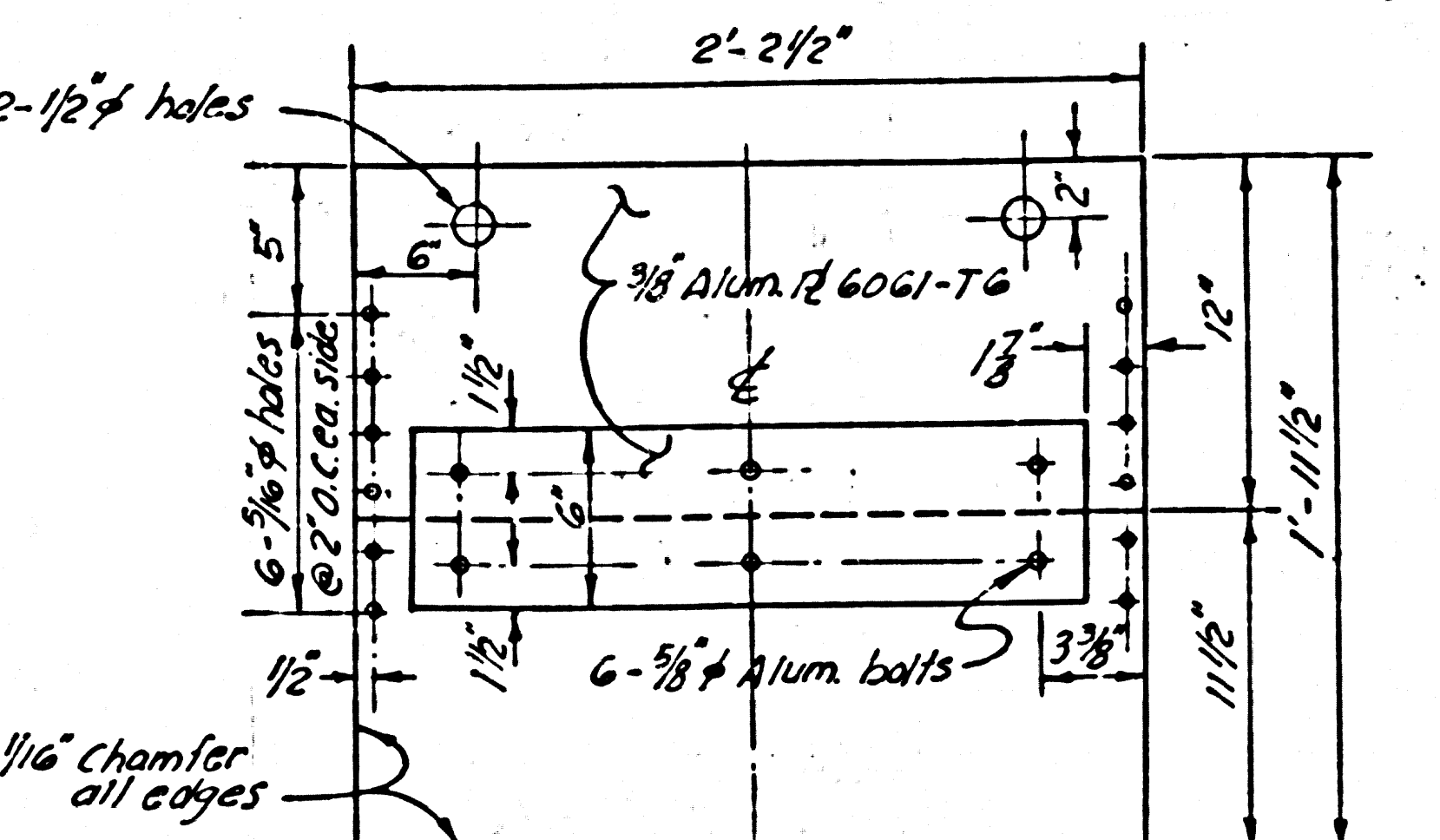
DETAIL CONCRETE STOP LOG NOTCH
Half Scale



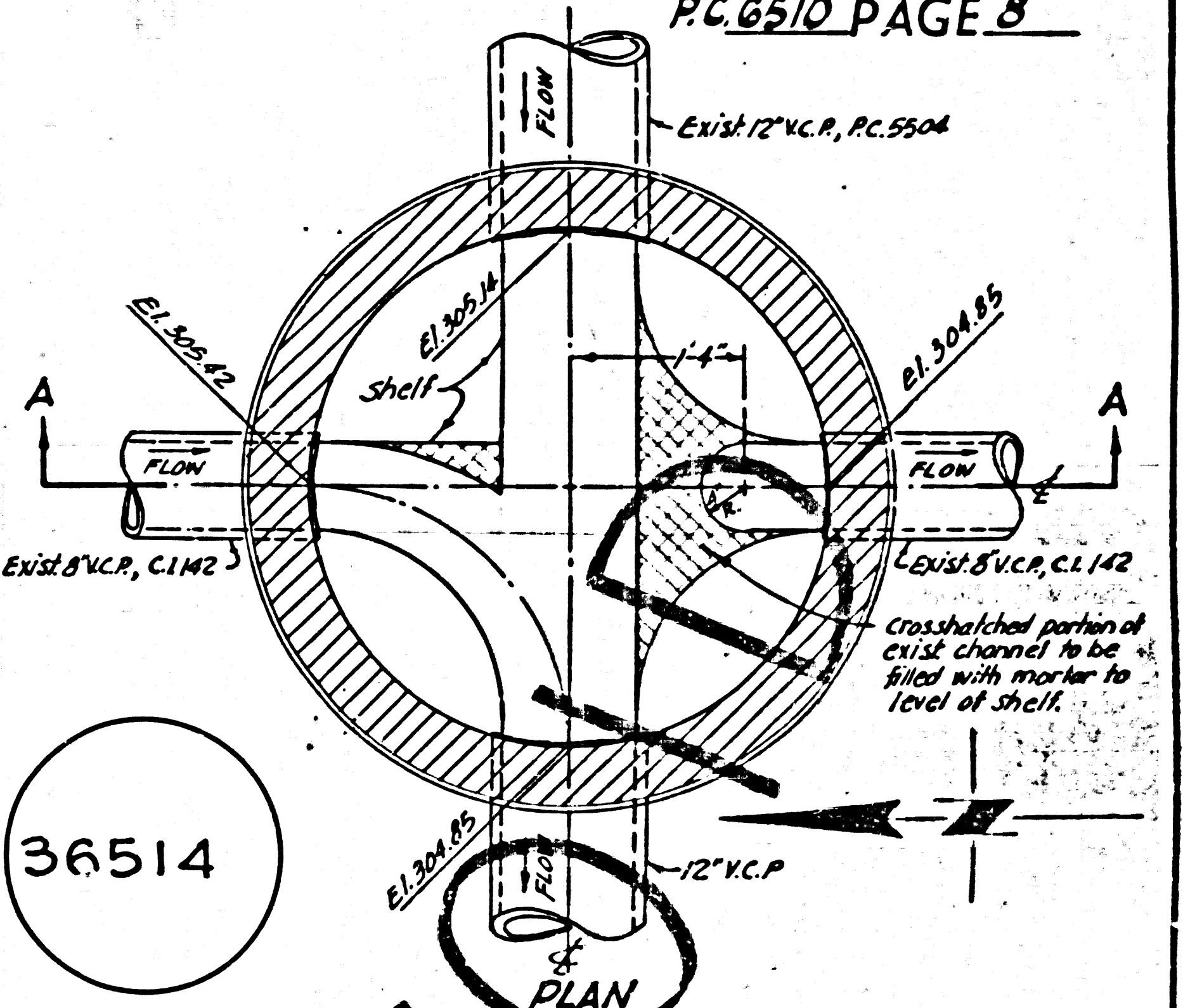
DETAIL ALUMINUM NOTCH
Half Scale



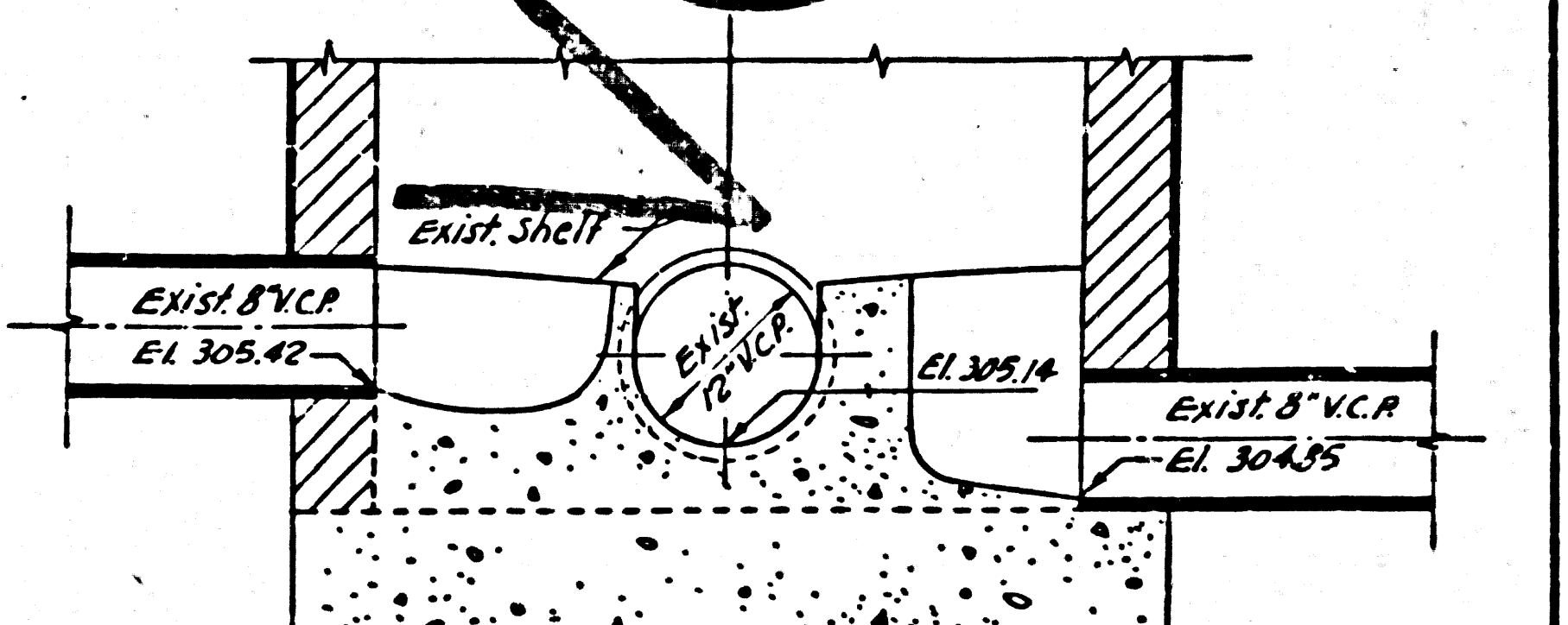
DETAIL A
HOUSE LATERAL RECONSTRUCTION
NO SCALE



STOP LOG
Scale 1/2" = 1'-0"



36514



SECTION A-A
J.C. STRUCTURE
STA. 1426.49: Page 7, Sec. B
SCALE 3/4" = 1'-0"

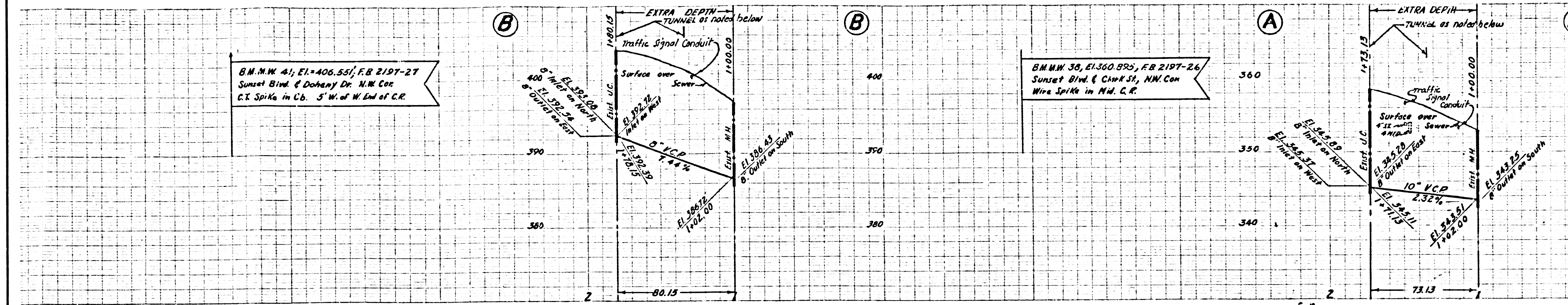
Trim Line

Trim Line

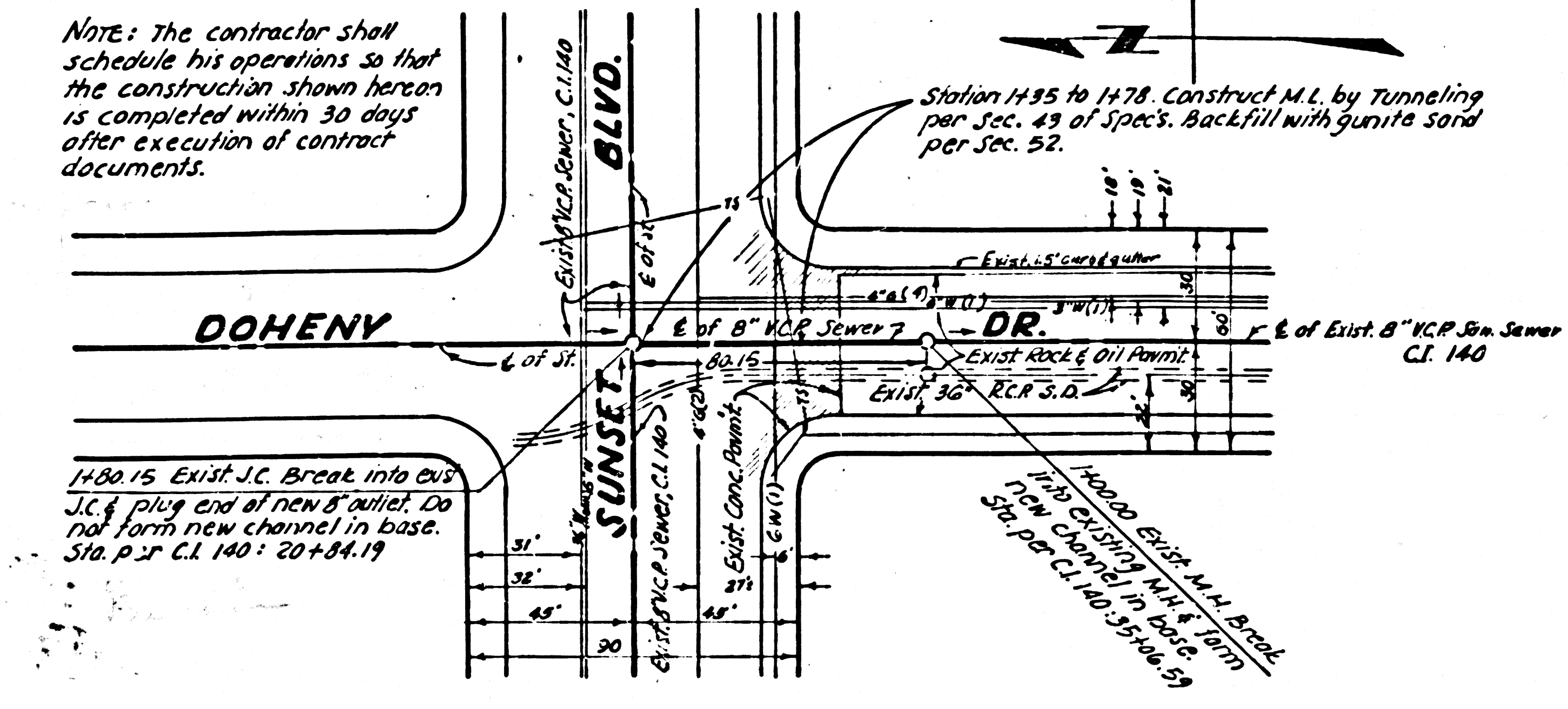
ME21 HORTWOOD RELIEF SEWERS

WELL HORTWOOD RELIEF SEWERS

PC 6310 PAGE 3
DOUBLE SCALE
NO CHARGE FOR CONNECTIONS

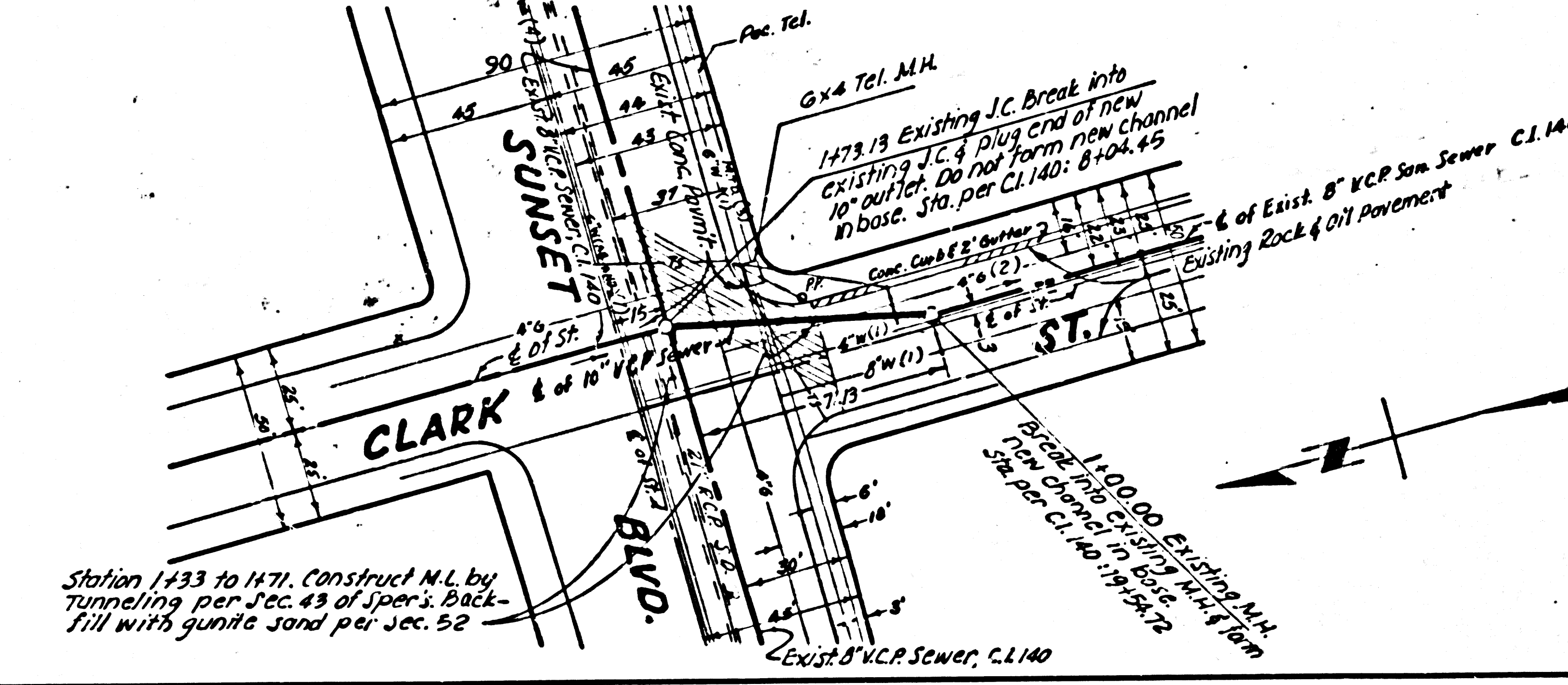


36515



NOTE: The contractor shall schedule his operations so that the construction shown herein is completed within 30 days after execution of contract documents.

Station 1485 to 1478 Construct M.L. by Tunneling per Sec. 43 of Spec's. Backfill with gunite sand per Sec. 52.

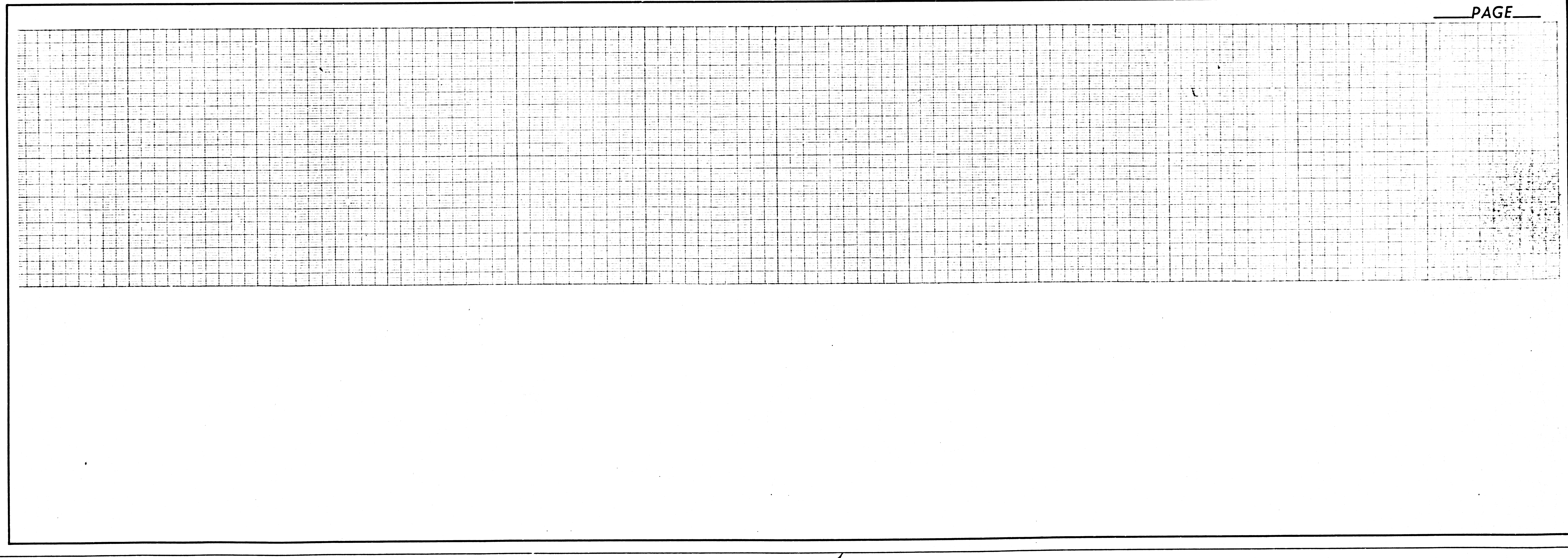


Station 1433 to 1471 Construct M.L. by Tunneling per Sec. 43 of Spec's. Backfill with gunite sand per Sec. 52.

6 PA 2710 Pg. 49
X-SEC. F.B. 2716 " 93-95

6 PA 2710 Pg. 100
X-SEC. F.B. 2716 " 97-99

PAGE



293W32 731J39 000WYJ104 123W

B.M. X-713 E.I. 237.127 P.B. 2197-52
 USC 65 Disk No. X-713-1945
 2.5' N. of N. Carolina Santa Monica Blvd.,
 24.6' E. of E. Carolina West Knoll Dr.

WEST HOLLYWOOD BUILDING DISTRICT NO. 9

WEST HOLLYWOOD RELIEF SEWERS PRIVATE CONTRACT NO. 6510B

P.C. 6510 B
 PAGE 1
 J.N. 0650.09

PROFILE, ALIGNMENT AND GRADE OF
 SANITARY SEWERS

TO BE CONSTRUCTED IN
 SANTA MONICA BOULEVARD
 AND OTHER RIGHTS OF WAY

33556

PAGE 1 OF 2 PAGES

SCALE: VERT. 1" = 4 FT.
 HORIZ. 1" = 40 FT.

APRIL, 1963

COUNTY OF LOS ANGELES, CALIFORNIA

JOHN A. LAMBIE

COUNTY ENGINEER

RECOMMENDED *[Signature]*
 ASSISTANT SANITATION ENGINEER

APPROVED *[Signature]*
 SANITATION ENGINEER

JOHN D. PARKHURST
 CHIEF ENGINEER OF COUNTY
 SANITATION DISTRICT NO. 9

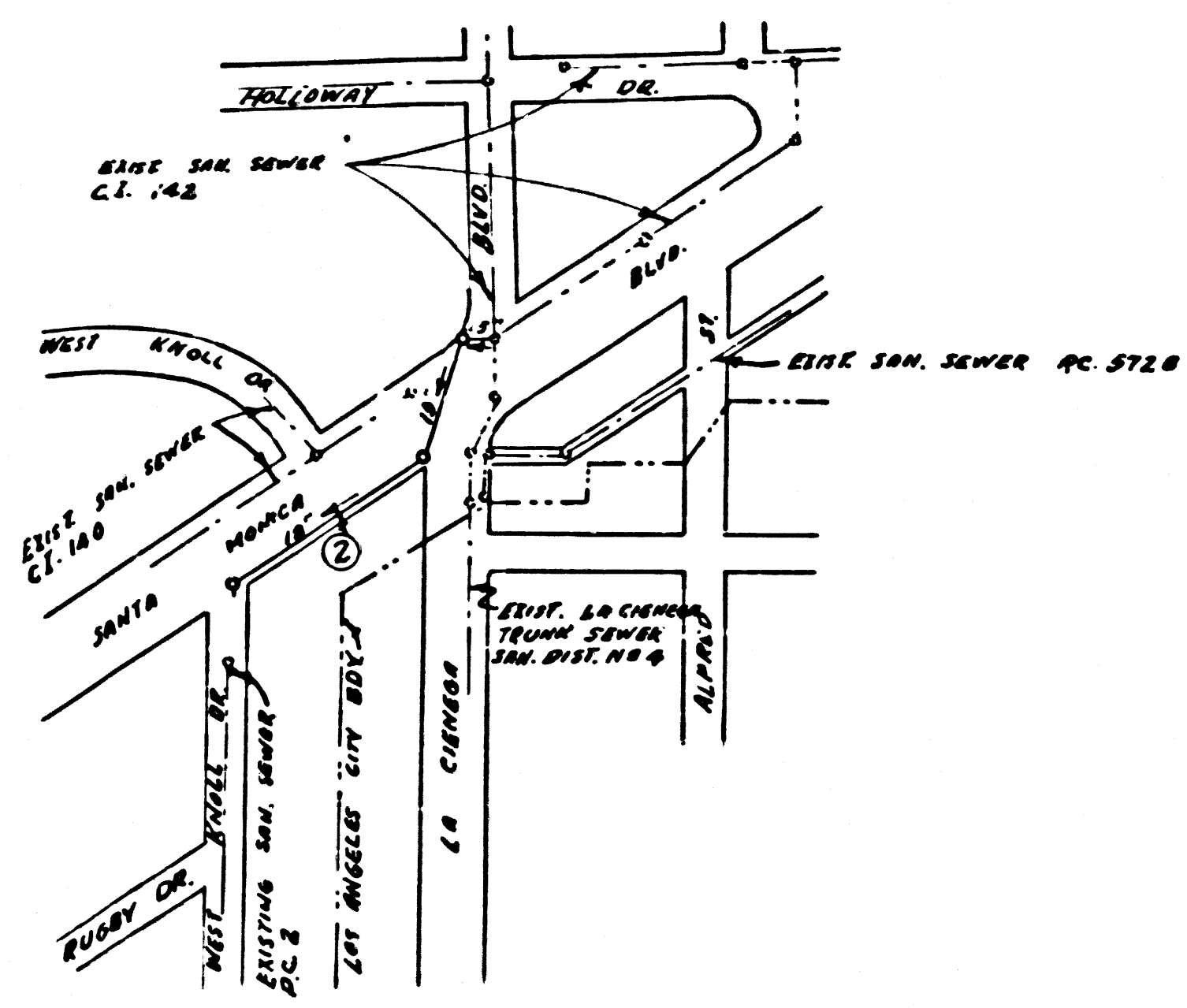
SUBMITTED *[Signature]*
 DESIGN ENGINEER

BY *[Signature]*
 OFFICE ENGINEER

FOR LEGEND
 SEE PLAN NO. S-A-44

NOTE: GRADES TO WHICH THIS IMPROVEMENT IS TO BE CONSTRUCTED ARE SHOWN ON PLANS AND PROFILES. GRADE POINTS FOR TOP OF CURB, CENTER LINE OF STREET OR CENTER LINE OF ALLEY ARE SHOWN BY CIRCLES ON PROFILES. AT ALL POINTS BETWEEN DESIGNATED POINTS THE GRADE SHALL BE ESTABLISHED SO AS TO CONFORM TO A STRAIGHT LINE DRAWN BETWEEN SAID DESIGNATED POINTS.
 ELEVATIONS ARE IN FEET ABOVE U.S.C. & G.S. MEAN LEVEL DATUM AS OF 1929
 UNIT PRICES FOR ADDITIONAL WORK WHICH MAY BE REQUIRED BUT WHICH CANNOT BE ASCERTAINED IN ADVANCE, SHALL BE SUBMITTED IN THE PROPOSAL
 THIS DRAWING AND THE DATA HEREON ARE HEREBY MADE A PART OF THE SPECIFICATIONS.

REFERENCES		
W. S. 22	DESIGNED	SATERMO
A. B. 4338	TRACED	SATERMO
F. B. 2197	CHECKED	LALLY-YELINEK
		APRIL 1963
		APRIL 1963
		APRIL 1963

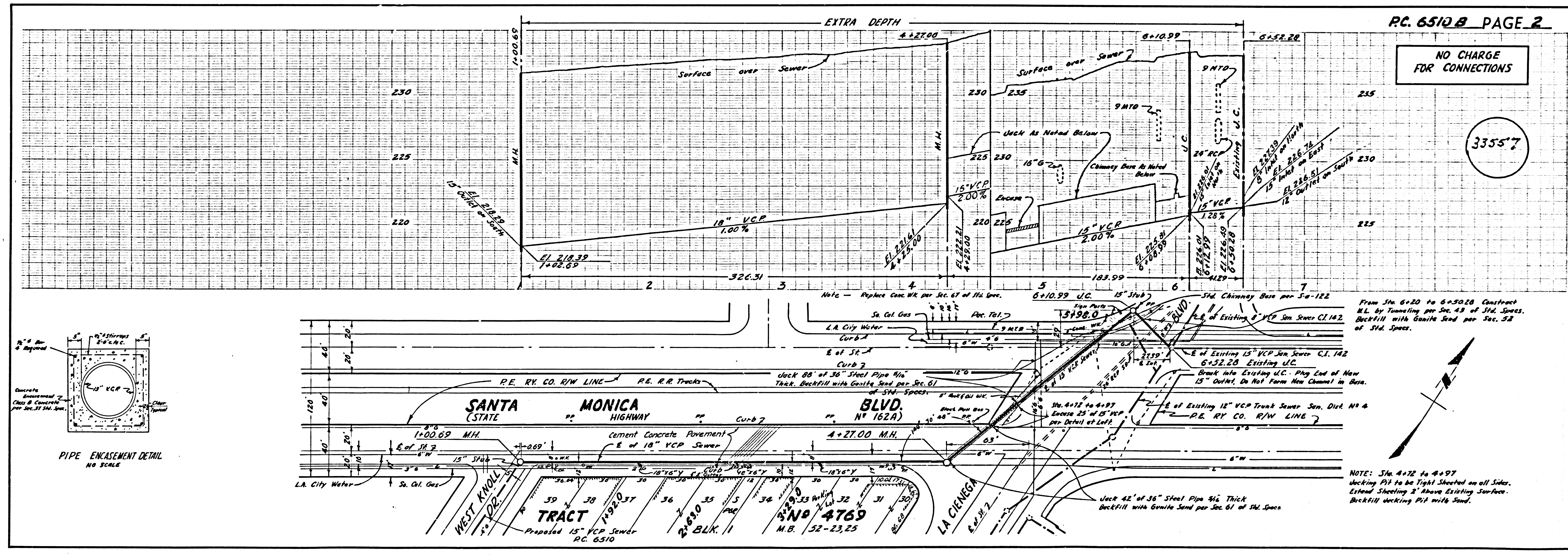


INDEX MAP
 P.C. 6510B
 SANTA MONICA BOULEVARD
 SCALE: 1" = 300'

NO CHARGE
 FOR CONNECTIONS

- USE EXTRA STRENGTH PIPE
- USE MECHANICAL COMPRESSION JOINTS FOR ALL VITRIFIED CLAY PIPE PER SEC. 36 & 48 OF STD. SPEC.
- ALL STRUCTURES SHALL BE BRICK SEWER STRUCTURES AS PER PLAN NO. S-A-104.
- USE STANDARD MANHOLE FRAMES AND COVERS AS PER PLAN NO. S-A-117, ALL STATE AND LOCAL TRENCH SAFETY ORDERS WILL BE RIGIDLY ENFORCED.
- RESURFACE TRENCH WITHIN PAVED AREA WITH PREMIUM ROCK AND OIL INCHES IN THICKNESS EXCEPT AS NOTED.
- USE FORMULA NO. 1 SEC. 54 OF SPECIFICATIONS TO COMPUTE ALLOWABLE LEAKAGE.
- THE CONTRACTOR SHALL NOTIFY THE CONSTRUCTION DIV. BY TELEPHONE MADISON 9-4747, EXT. 61551 AT LEAST 24 HOURS BEFORE STARTING ANY WORK UNDER THIS CONTRACT.
- CONSTRUCT HOUSE LATERALS WITH INVERTS AT PROPERTY LINE 6 FEET BELOW CURB GRADE, OR GRADE OF CENTER LINE OF STREET EXCEPT AS NOTED.
- FIGURES IN CIRCLES AT ENDS OF HOUSE LATERALS INDICATE DEPTH BELOW CURB GRADE, OR GRADE OF CENTER LINE OF STREET.
- FIGURES IN CIRCLES AT ENDS OF HOUSE LATERALS INDICATE HOUSE LATERALS SHALL BE CONSTRUCTED WITH W-RISE PER FOOT TO PROPERTY LINE.
- WORDS IN CIRCLES AT ENDS OF HOUSE LATERALS INDICATE THEY SHALL BE SAID HORIZONTAL AND HOUSE LATERALS SHALL BE CONSTRUCTED WITH W-RISE PER FOOT TO PROPERTY LINE.
- CONSTRUCTION IN STATE HIGHWAYS SHALL CONFORM WITH STATE HIGHWAY PERMIT.
- CONSTRUCTION IN RAILROAD R/W SHALL CONFORM WITH PACIFIC ELECTRIC RY. CO. PERMIT.
- LOS ANGELES COUNTY STANDARD SPECIFICATIONS FOR SEWERS DATED MAY 25, 1962 SHALL APPLY TO THE CONSTRUCTION OF THIS PROJECT. MAKE NO CONNECTIONS TO THIS CONSTRUCTION.
- BEFORE BREAKING INTO ANY EXISTING STRUCTURE AND BEFORE FINAL ACCEPTANCE OF THIS WORK, COUNTY SANITATION DISTRICT (DU 41281) SHALL BE NOTIFIED IN ORDER THAT REQUIRED INSPECTION CAN BE MADE.
- NO CONNECTIONS FOR THE DISPOSAL OF INDUSTRIAL WASTES SHALL BE MADE TO SEWERS SHOWN ON THESE DRAWINGS WITHOUT WRITTEN PERMISSION FROM THE CHIEF ENGINEER AND GENERAL MANAGER OF THE COUNTY SANITATION DISTRICTS.

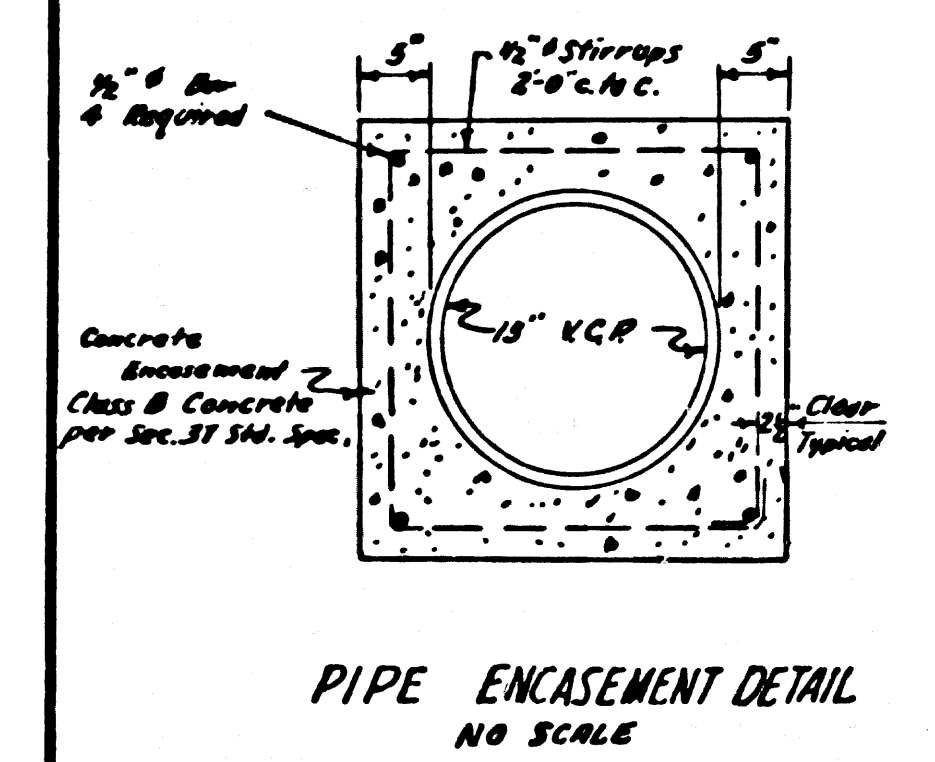
ISSUE NO PERMITS UNTIL P.C. 6510 IS COMPLETED



P.C. 6510 B PAGE 2

NO CHARGE
 FOR CONNECTIONS

33557



PIPE ENCASEMENT DETAIL
 NO SCALE

NOTE: STA. 4+72 TO 4+97
 Working 87' to be TIGHT. Shovel on all Sides.
 Extend Shoring 4' Above Existing Surface.
 Backfill working pit with Sand.

U.G. CHK'D. *[Signature]* 4-11-63
 B.M.'S CHK'D. *[Signature]* 4-11-63