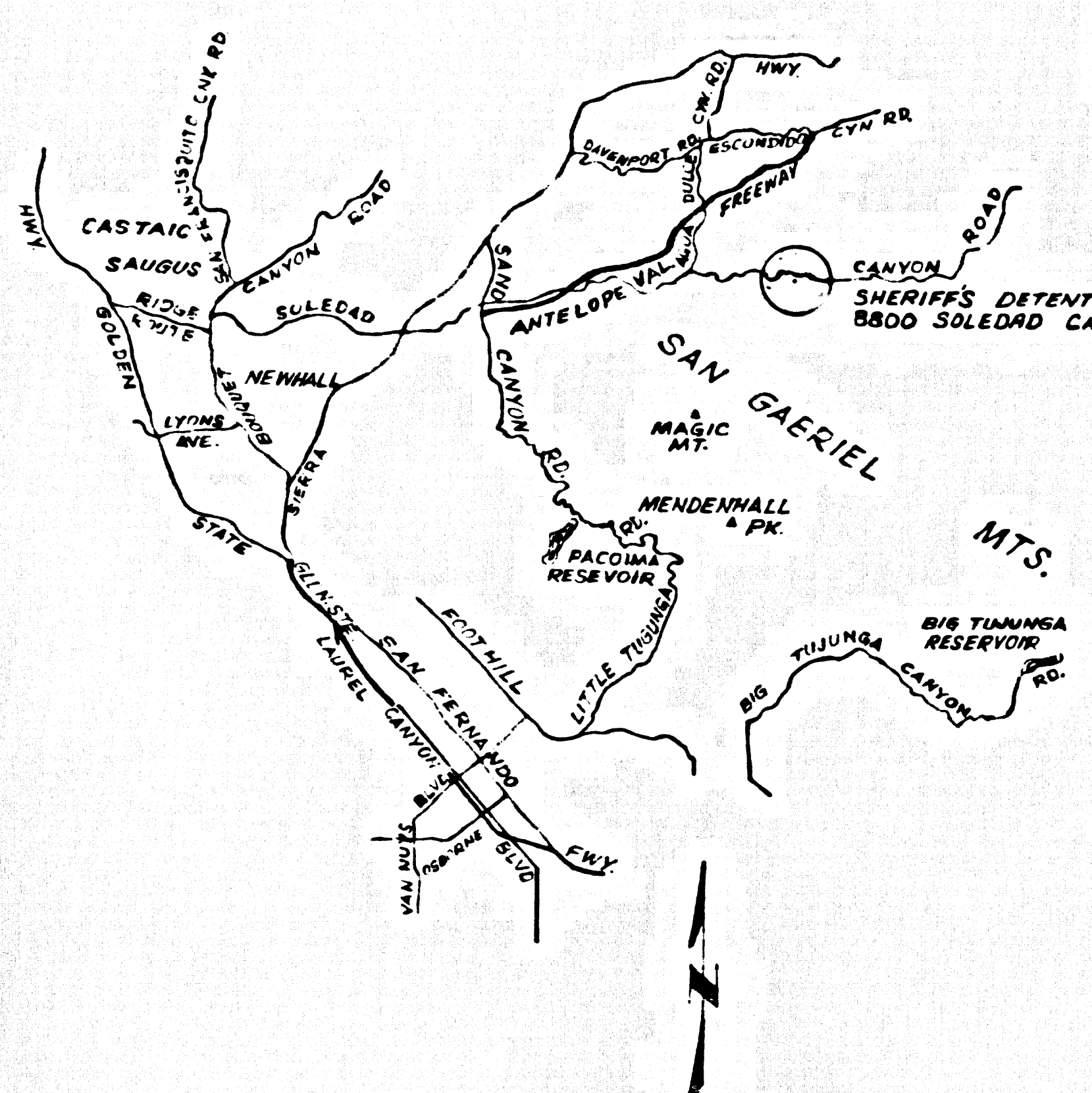


Trim Line

T.B.M. #2 Elev. 2164.200 CSFB-1167-196
 East side of camp entrance road
 95' North of gas pump.
 Chis. Sq. 1'E. of NW. Cor. of Grease Pit.

The following latest revised standard plans on file in the office of County Engineer shall apply in the construction of this project:

- Legend
- 9-1 Minimum excavation safety req'mts
 - 9-2 Brick manhole
 - 9-7 Rectangular shallow manhole
 - 9-15 Manhole frame and cover
 - 9-19 Rectangular manhole frame and cover
 - 9-17 Manhole step
 - 9-21 Bedding for sewer pipe
 - 9-22 Special support and protection
 - 9-23 Cradling and encasement
 - 9-20 Standard wye support
 - 9-30 Stopper



VICINITY MAP
 NO SCALE

NOTES (ADDITIONAL)

Approval of this plan by the County of Los Angeles does not constitute a representation as to the accuracy of the location of, or the existence or non-existence of any underground utility pipe or structure, within the limits of the project.

Abandon existing Sewers and Manholes per Sec. 60 of Standard Specifications. Salvage any standard M.H. frames and covers for use on this project.

The Contractor shall obtain a Plumbing Permit.

Abandon existing septic tanks and grease traps as shown on this plan in accordance with the Uniform Plumbing Code.

GENERAL NOTES

Work shall be constructed according to Standard Specifications dated May 25, 1962, as revised, on file in the office of the County Engineer and shall be prosecuted only in the presence of the County Engineer.

Grades to which this improvement is to be constructed are shown on plans and profiles. At all points between designated points the grade shall be established so as to conform to a straight line drawn between said designated points.

Elevations are in feet above U.S.C. & G.S. sea level datum of 1929.

All excavations in existing pavement shall be resurfaced per Section 69 of Standard Specifications.

This drawing and the data hereon are hereby made a part of the specifications.

Use extra strength pipe. All pipe is standard depth. Use mechanical compression joints for all vitrified clay pipe sewer per Sec. 36, 48 & 49 of Standard Sewer Specs.

All structures shall be brick manholes except as shown as noted.

Flow in existing sewers and laterals to be maintained at all times.

All house laterals shall be constructed in a straight alignment at right angles from the main line sewer except as shown on the plans.

The contractor shall notify the Construction Division by telephone (MADISON 9-4747, Ext 81551) at least 24 hours before starting any work under this contract.

ALL STATE AND LOCAL TRENCH SAFETY ORDERS WILL BE RIGIDLY ENFORCED.

House laterals may be connected during construction of the main line sewer.

DESIGN	B-HART	MAY 66
DRAWN	B-HART	JUNE 66
CHECKED	HOWARD	JULY 66
PROJECT	CSFB-1167	
DATE	W.S.-79	

PRIVATE CONTRACT NO. 7667
 CAPITAL PROJECT NO. 968810
 Profile, Alignment, and Grade of an
SEWAGE DISPOSAL IMPROVEMENTS
 to be constructed at
 SHERIFFS DETENTION CAMP NO. 11
 8800 Saledad Canyon Road
 Saugus, California

40189

SCALE: VERT 1" = 4'
 HORIZ 1" = 20'

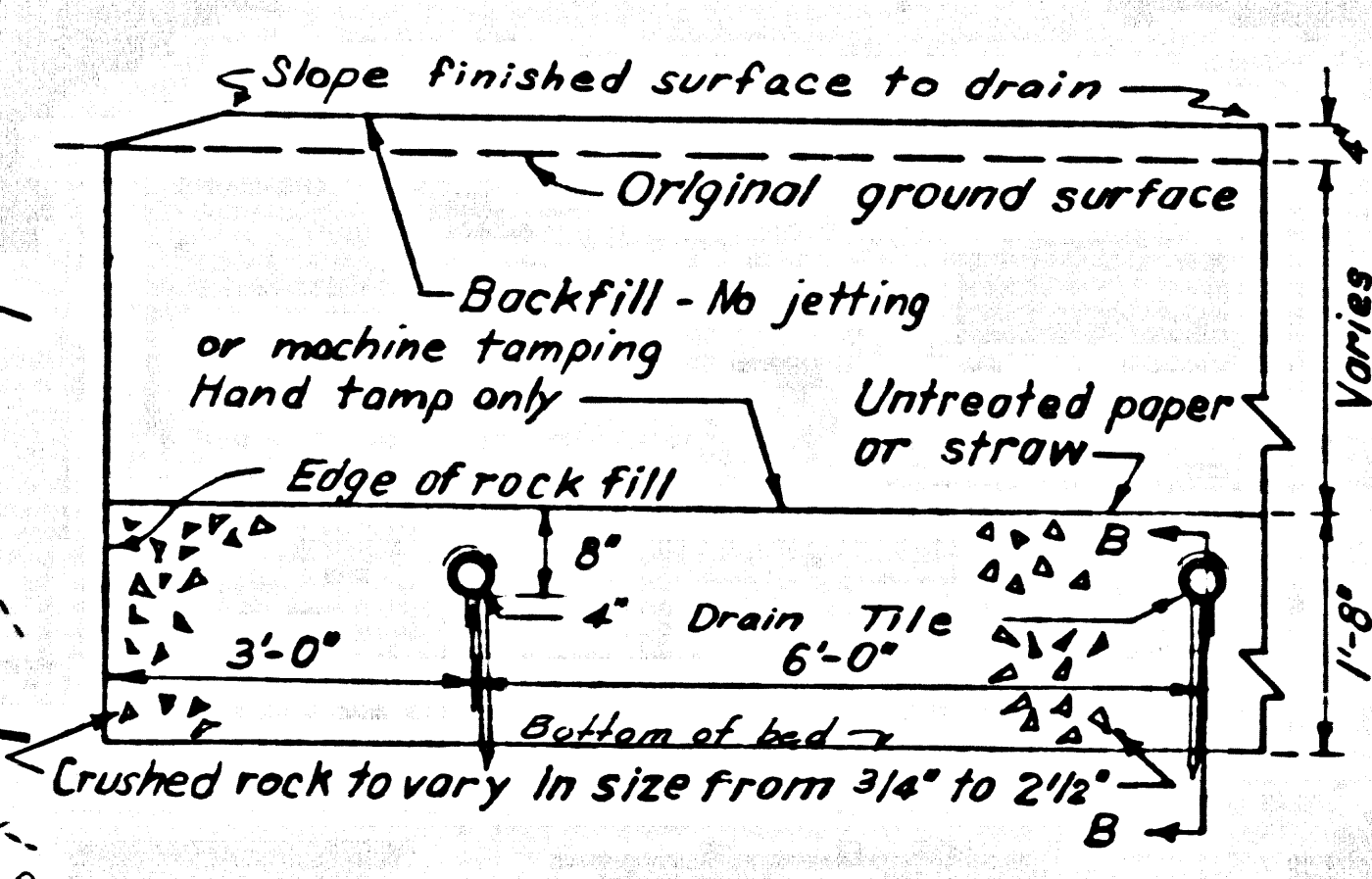
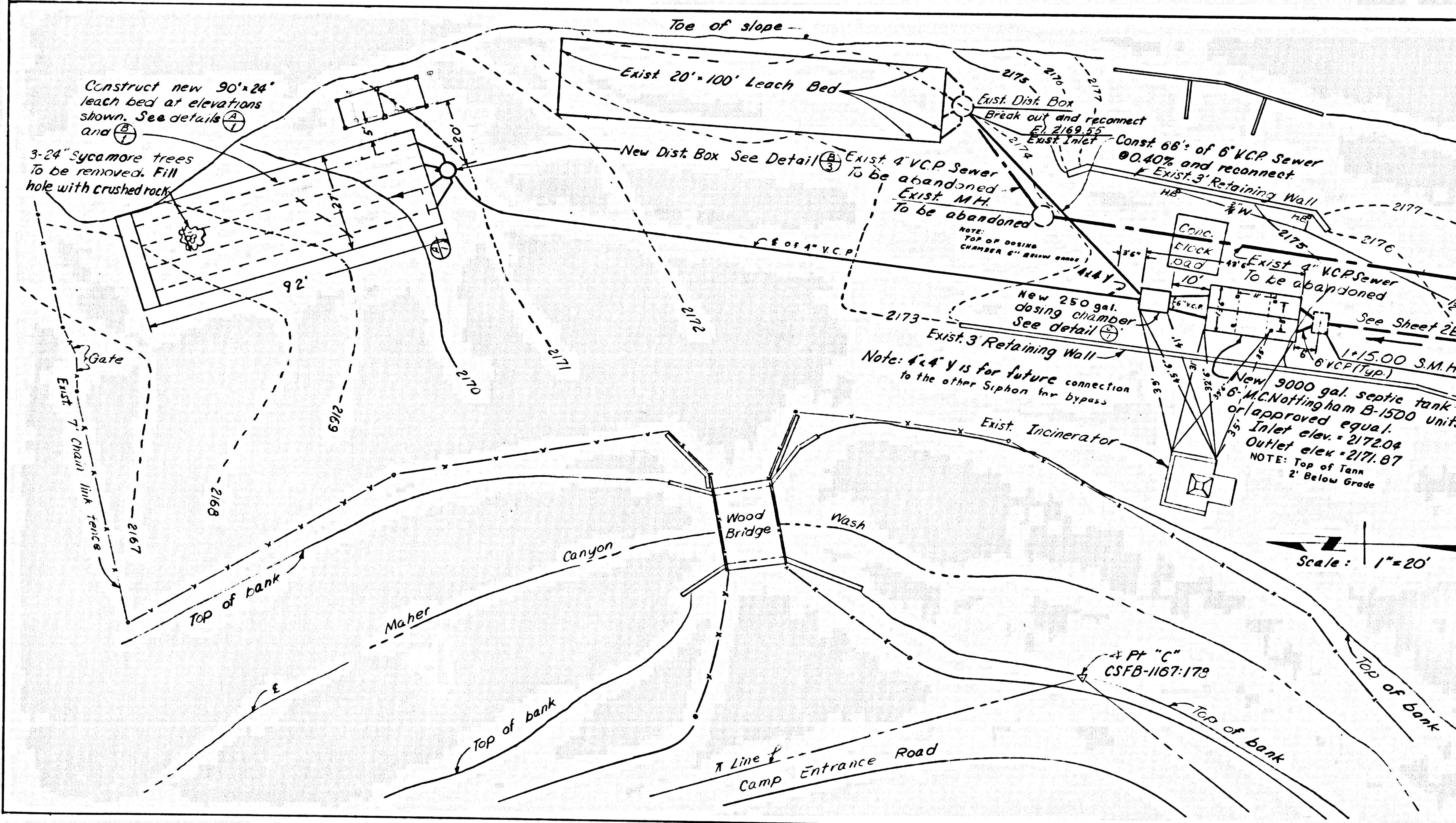
JULY, 1966

COUNTY OF LOS ANGELES, CALIFORNIA
 John A. Lambie County Engineer

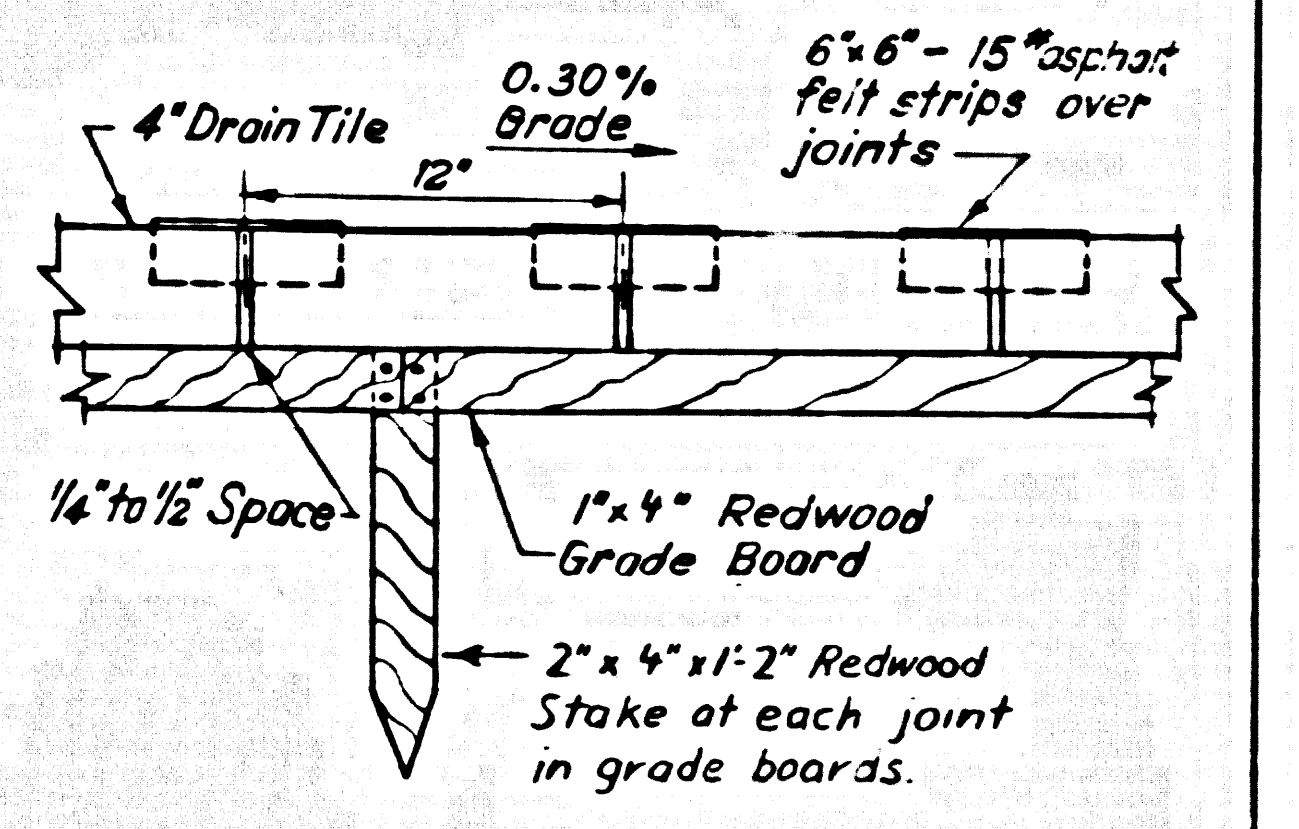
Approved by *[Signature]* Submitted by *[Signature]*
 Division Engineer Reg. C.E. No 14390

SHERIFF'S DEPARTMENT HEALTH DEPARTMENT
 Method of Disposal
 Approved by *[Signature]*
 Date: 4-4-67

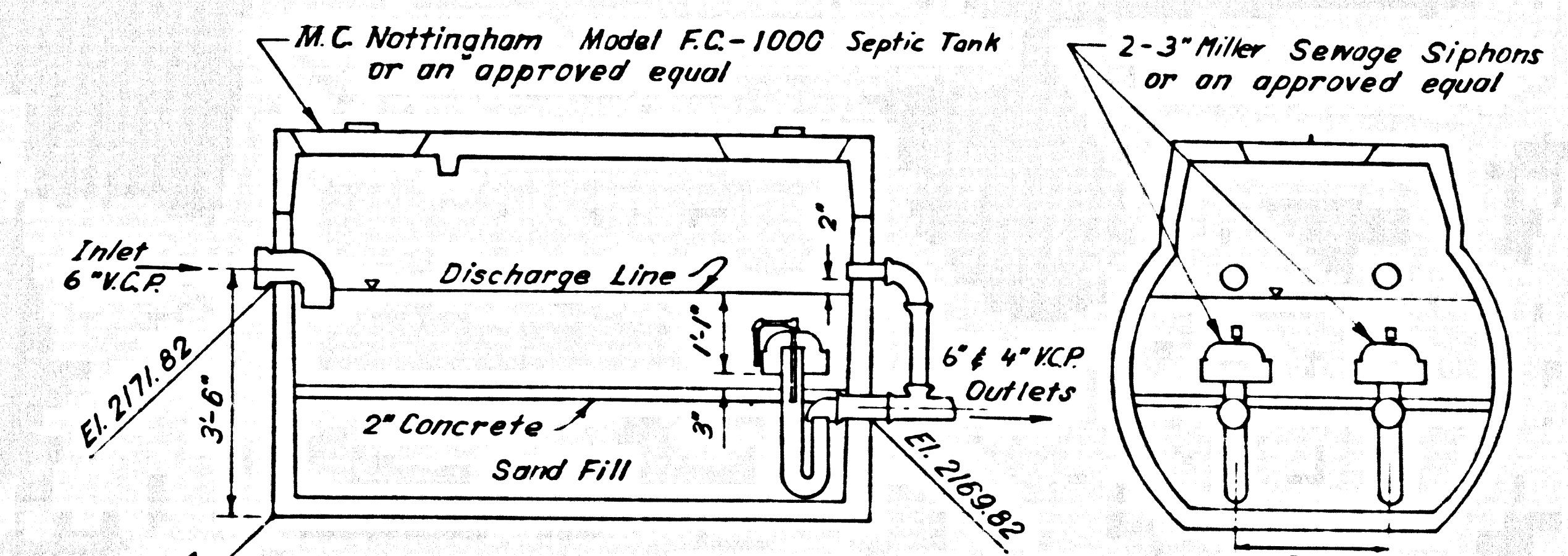
UNITED STATES FOREST SERVICE
 ANGELES NATIONAL FOREST
 Approved by *[Signature]*
 Acting Forest Supervisor



LEACH BED (A)
 No Scale



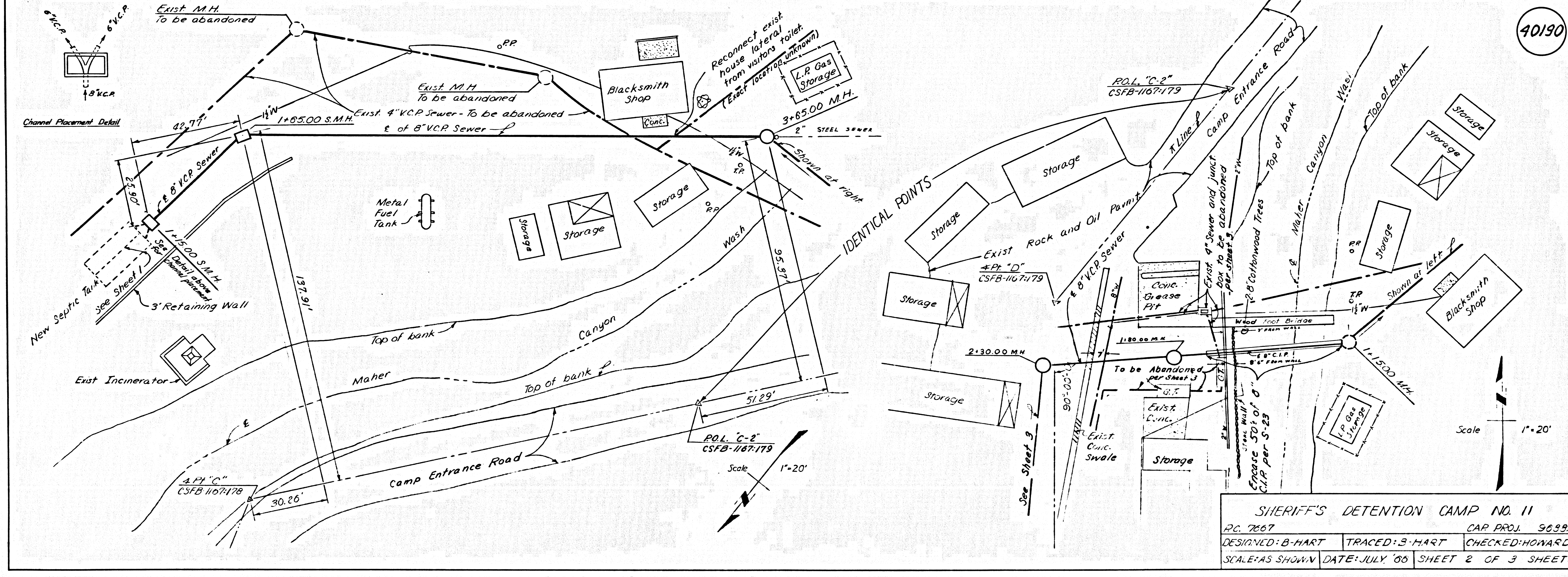
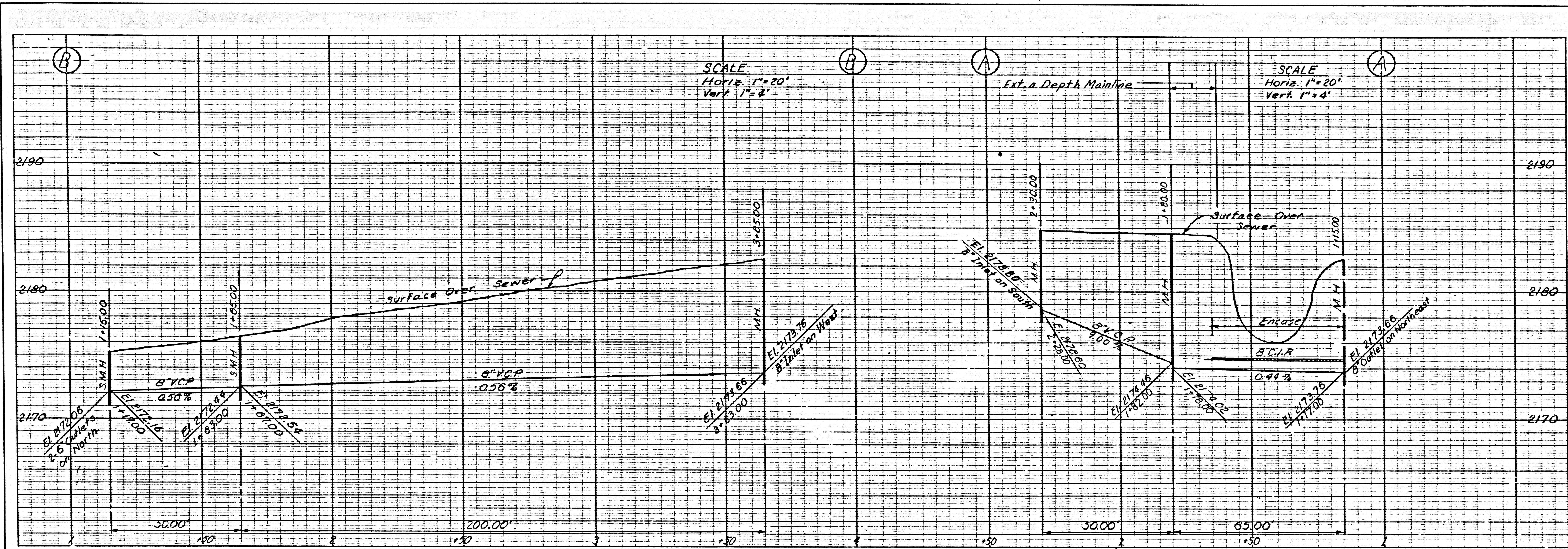
SECTION B-B (B)
 No Scale



DOSING CHAMBER (C)
 No Scale

Trim Line

Trim Line



SHERIFF'S DETENTION CAMP NO. 11

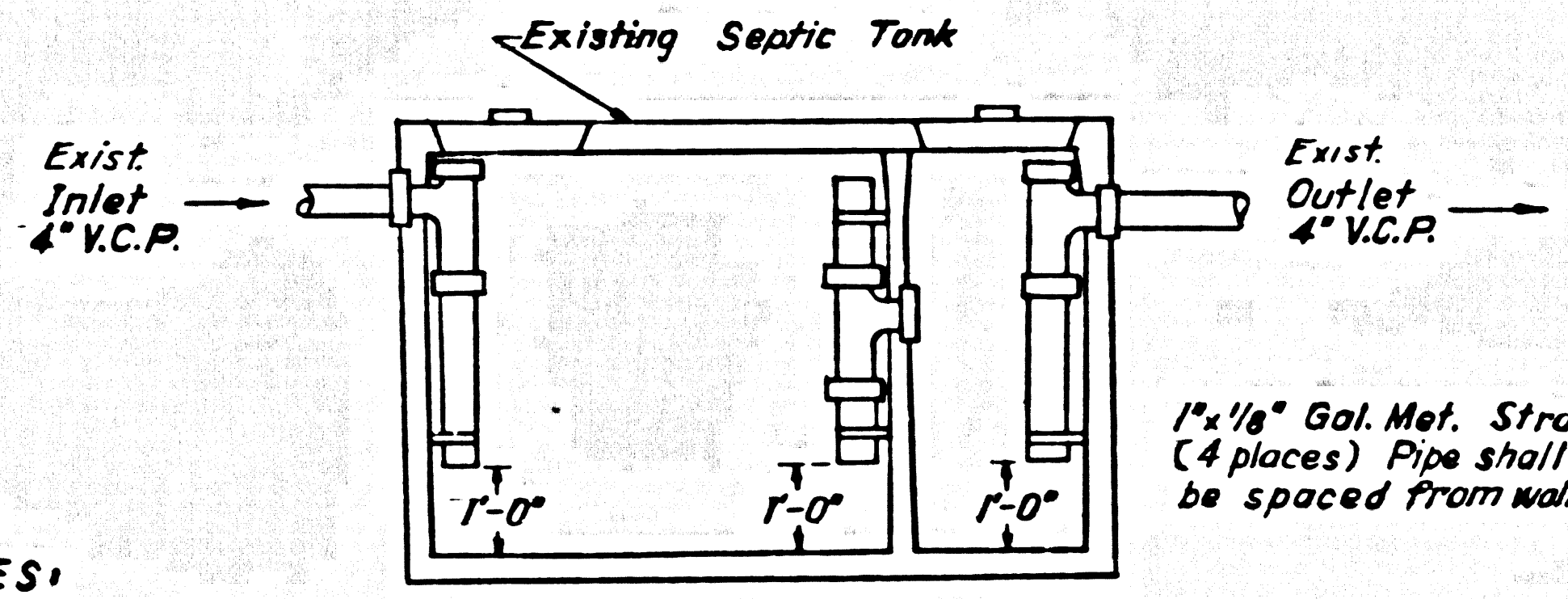
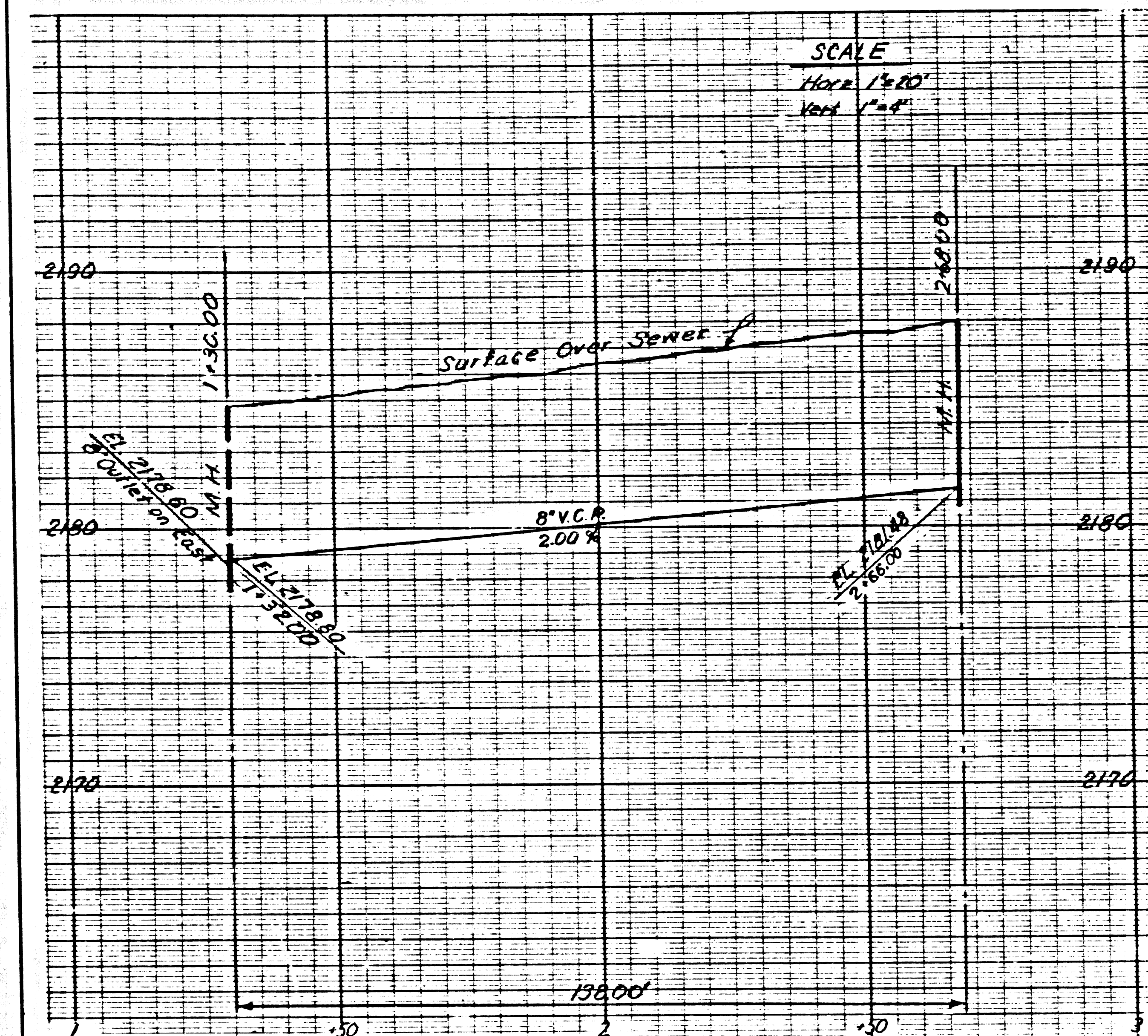
PG. 7667	CAP PROJ. 9699.10	
DESIGNED: B. HART	TRACED: S. HART	CHECKED: HOWARD
SCALE: AS SHOWN	DATE: JULY '00	SHEET 2 OF 3 SHEETS

Trim Line

PC 1001-CMB 6907 2089.10' DETENTION CAMP NO. 11

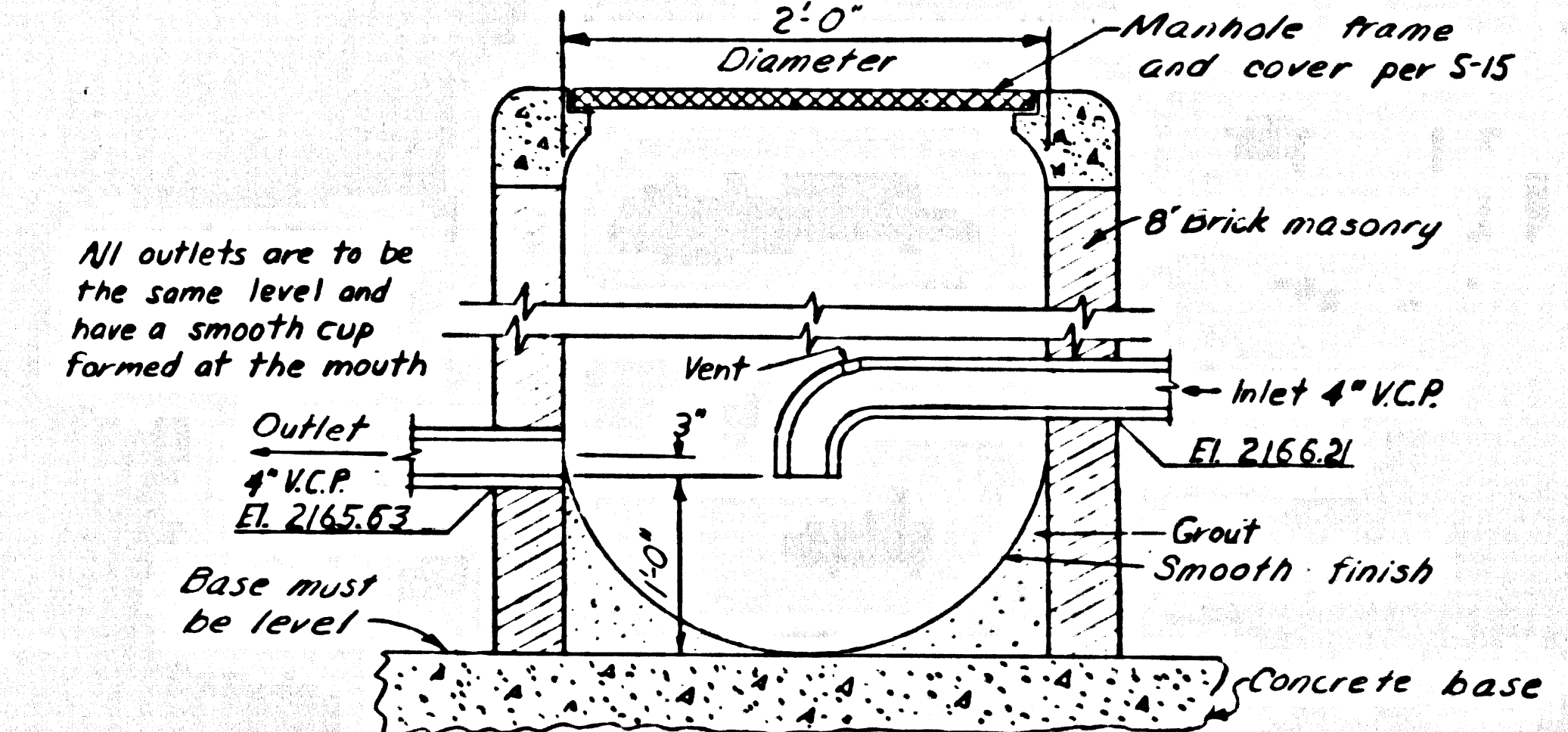
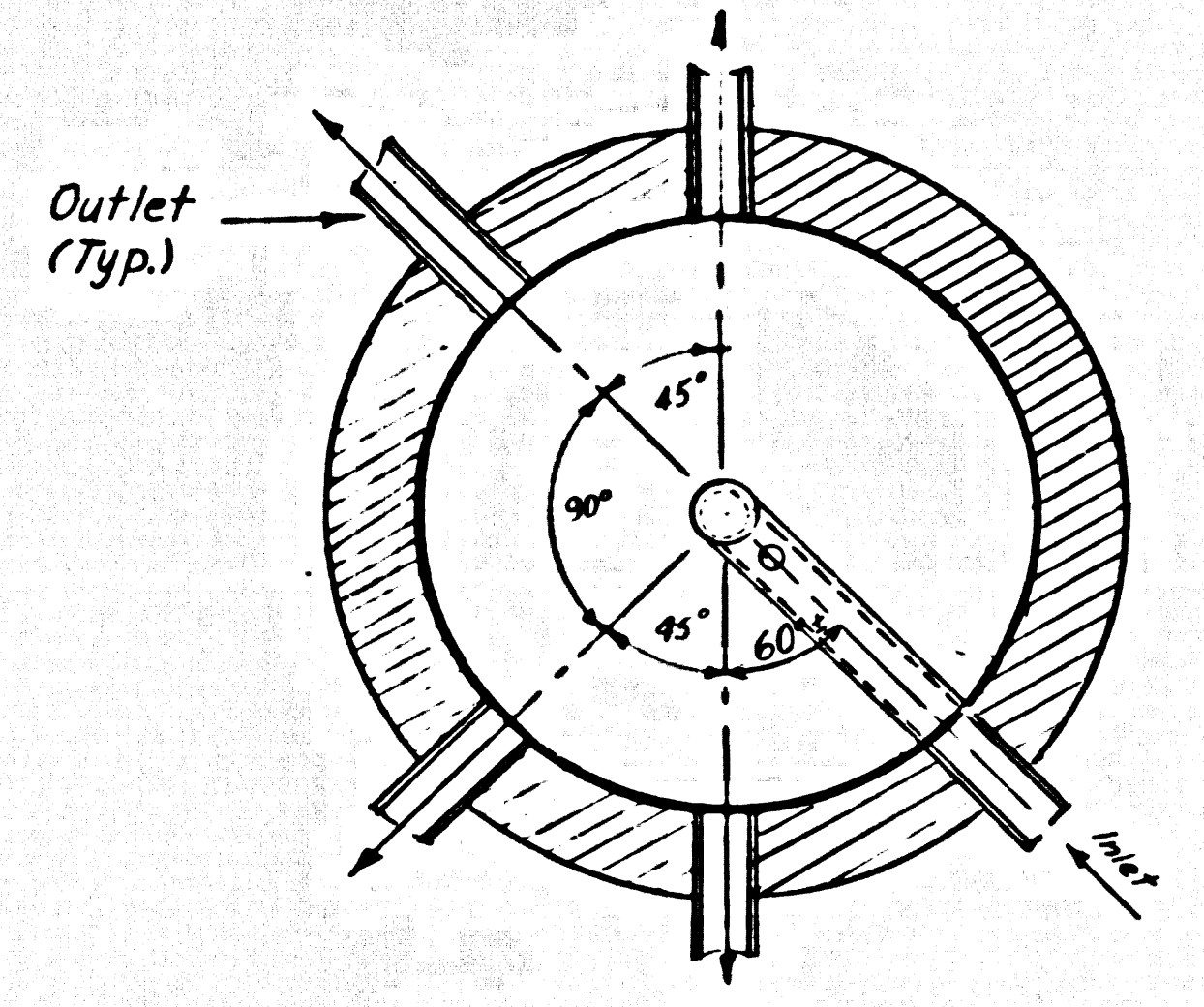
Trim Line

Trim Line -f



- NOTES:**
1. The existing septic tank shall be thoroughly cleaned before beginning remodeling.
 2. Remove all existing pipes and fittings, and replace with new 4" V.C.P. pipes and fittings as shown above.
 3. The existing inlet and outlet elevations shall remain the same.
 4. The remodeled septic tank will serve as a grease trap.

SEPTIC TANK REMODELING
No Scale

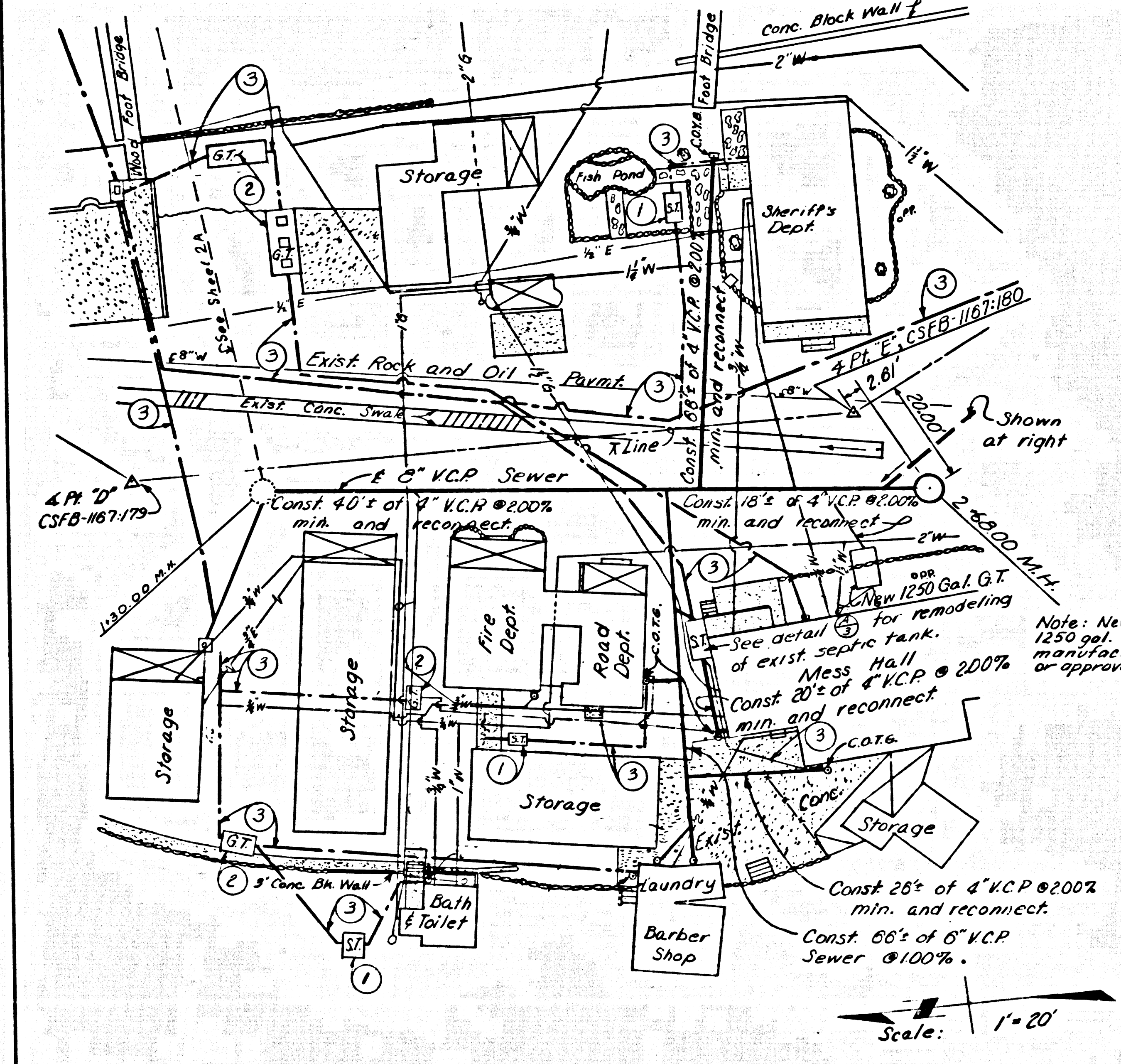


DISTRIBUTION BOX
No Scale

40131

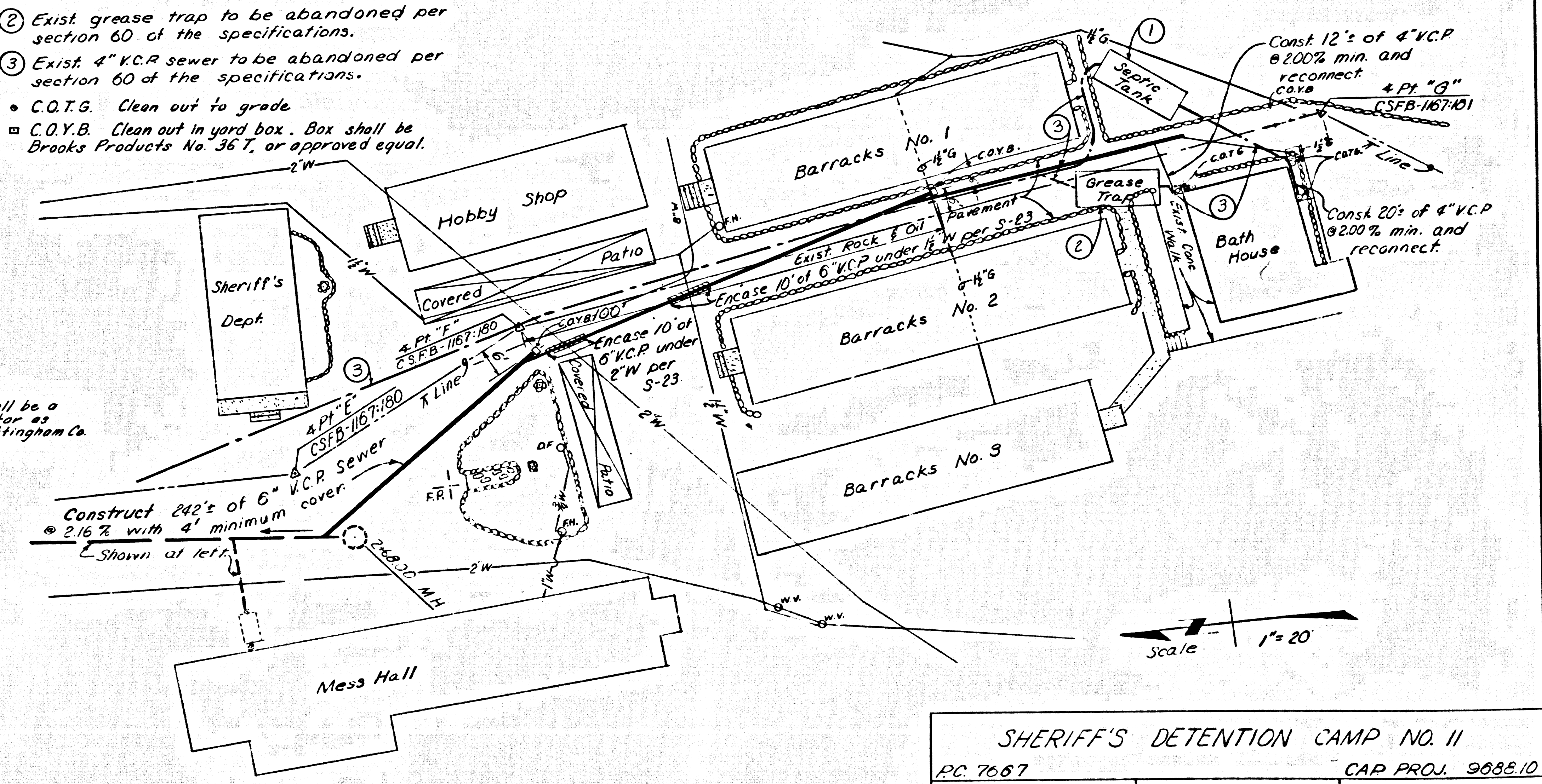
Trim Line -f

11 ON QMS VOLTAGE 018898 1099 943-7807 59



SYMBOLS

1. Exist septic tank to be abandoned per section 60 of the specifications.
 2. Exist grease trap to be abandoned per section 60 of the specifications.
 3. Exist 4" V.C.P. sewer to be abandoned per section 60 of the specifications.
- C.O.T.G. Clean out to grade
 - C.O.Y.B. Clean out in yard box. Box shall be Brooks Products No. 36 T, or approved equal.



SHERIFF'S DETENTION CAMP NO. 11

PC 7667 CAP PROJ. 908810

DESIGNED: B-HART	TRACED: B-HART	CHECKED: HOWARD
SCALE: AS SHOWN	DATE: JULY, '66	SHEET 3 OF 3 SHEETS

Trim Line -f