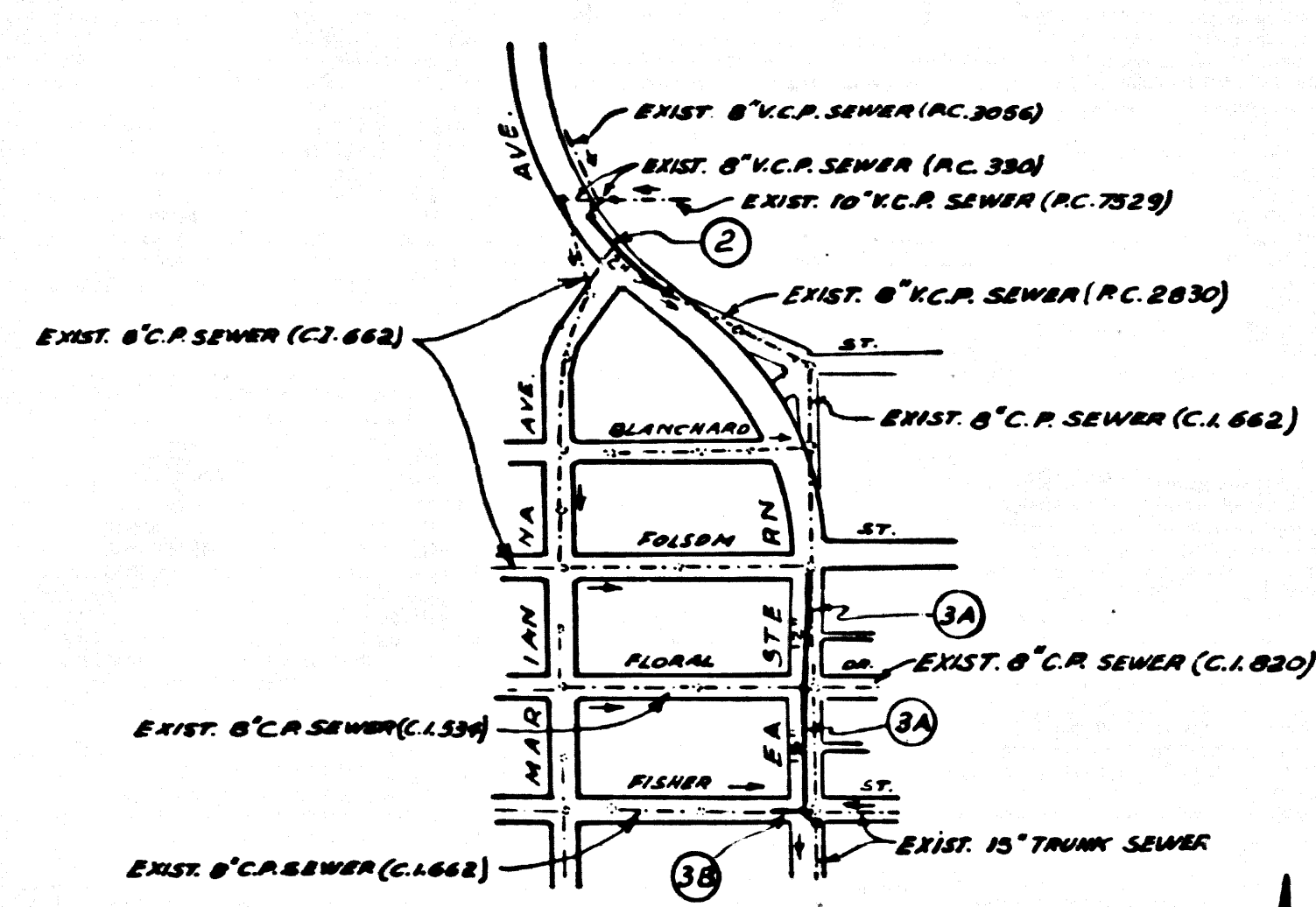


B.M. G1-2 ELEV. 226.681
 Eastern Ave. & E. Blanchard St. N.E. corner,
 59.5' N/4 & E. Blanchard St.
 36.5' S/4 P.P. #120305E, 20' SW/4 Quay #
 #1188720E, and 18' N/4 to E. curb.
 A Co. Eng. B.M. drawn and N.M. #B.M. G1-2, RE 3961
 1961 in con. 10' below mark projected by C.J. Coover
 1965 Adjustment



INDEX MAP
 C.C. 8457
 EASTERN AVENUE
 Scale 1" = 600'
 W.S. 36
 Note: Numbers in circles indicate page numbers.

GENERAL SEWER NOTES

- FOR LEGEND SEE STANDARD PLAN S-1.
- ALL CAST IRON PIPE SHALL BE IN ACCORDANCE WITH SECTION 207-9.1 (b) OF THE SPECIAL PROVISIONS.
- THE CONTRACTOR SHALL MAINTAIN SEWER SERVICE AT ALL TIMES DURING CONSTRUCTION.
- ALL JOINTS BETWEEN CAST IRON AND VITRIFIED CLAY PIPE SHALL BE MADE WITH A RUBBER SLEEVE JOINT, TYPE "C" OR "D" (WITH BUSHING IF NECESSARY) PER STD. SPEC'S. SEC. 208-2.
- ALL JOINTS BETWEEN CONCRETE PIPE AND VITRIFIED CLAY PIPE SHALL BE MADE WITH A RUBBER SLEEVE JOINT, TYPE "C" OR "D" (WITH BUSHING IF NECESSARY) PER STD. SPEC'S. SEC. 208-2.

25 County Sanitation Districts shall be notified prior to the following so that required inspection can be made (Phone 337-1055 or 636-3097)
 Breaking into existing manhole on District trunk sewer.
 Acceptance of the project.

No connections for the disposal of industrial wastes shall be made to sewers shown on these drawings without written permission from the Chief Engineer and General Manager of the County Sanitation Districts.

26 PRIOR TO TRENCH EXCAVATION, THE CONTRACTOR SHALL SUBMIT TO AND OBTAIN APPROVAL FROM THE COUNTY ENGINEER OF A DETAILED PLAN SHOWING THE DESIGN OF SHORING, BRACING, SLOPING OR OTHER PROVISIONS FOR PROTECTION FROM THE HAZARD OF CAVING GROUND. IF SUCH PLAN VARIES FROM THE SHORING SYSTEM STANDARDS ESTABLISHED BY THE CONSTRUCTION SAFETY DEPARTMENT, IT SHALL BE PREPARED BY A REGISTERED CIVIL OR STRUCTURAL ENGINEER.

NOTICE TO CONTRACTOR
 THE EXISTENCE AND LOCATION OF ANY UNDERGROUND UTILITY PIPES OR STRUCTURES SHOWN ON THESE PLANS ARE OBTAINED BY A SEARCH OF THE AVAILABLE RECORDS. TO THE BEST OF OUR KNOWLEDGE, THERE ARE NO EXISTING UTILITIES EXCEPT AS NOTED ON THIS MAP.
 THE CONTRACTOR IS REQUIRED TO TAKE PRECAUTIONARY MEASURES TO PROTECT THE UTILITY LINES SHOWN AND ANY OTHER LINES NOT OF RECORD OR NOT SHOWN ON THIS DRAWING.

E.L.A. BUILDING DISTRICT No. 6

- USE EXTRA STRENGTH PIPE. ALL PIPES IN STANDARD DEPTH EXCEPT AS NOTED.
- VITRIFIED CLAY PIPE JOINTS SHALL BE TYPE "D", "V" OR "T" PER SEC. 208-2 OF THE STANDARD SPECIFICATIONS.
- ALL STRUCTURES SHALL BE EITHER BRICK MANHOLES PER SEC. 207-9.1 (b) OF THE STANDARD SPECIFICATIONS AND SPECIAL PROVISIONS OR CONCRETE MANHOLES PER S-36.
- USE STANDARD MANHOLE FRAMES AND COVERS EXCEPT AS NOTED.
- SEWERS TO BE TESTED FOR LEAKAGE PER SEC. 208-2.1 OF THE STANDARD SPECIFICATIONS AND SPECIAL PROVISIONS.
- "ON" T" MANHOLES MAY BE USED FOR CONNECTIONS TO MAIN LINE SEWERS.
- REFER TO SEC. 7-10.4.1 OF THE STANDARD SPECIFICATIONS, REGARDING SAFETY ORDERS.
- FLOW IN EXISTING HOUSE LATERALS AND MAIN LINE SHALL BE MAINTAINED DURING CONSTRUCTION.
- APPROVAL OF THIS PLAN BY THE COUNTY OF LOS ANGELES DOES NOT CONSTITUTE A REPRESENTATION AS TO THE ACCURACY OF THE LOCATION OR EXISTENCE OR NON-EXISTENCE OF ANY UNDERGROUND UTILITY PIPE OR STRUCTURE WITHIN THE LIMITS OF THIS PROJECT.
- NO REVISION SHALL BE MADE IN THESE PLANS WITHOUT THE APPROVAL OF THE COUNTY ENGINEER.
- ABANDONMENT OF ALL EXISTING SEWERS AND APPURTENANCES SHALL BE PER SEC. 208-2.1 OF SPECIAL PROVISIONS.
- USE CASE 2 BEDDING FOR SEWER PIPE PER S-21.
- THE CONTRACTOR SHALL NOTIFY THE CONSTRUCTION DIVISION BY TELEPHONE MADISON 9-47, EXT. 8151 AT LEAST 24 HOURS BEFORE STARTING ANY WORK UNDER THIS CONTRACT.
- PRIOR TO CONSTRUCTION, THE CONTRACTOR SHALL SECURE A FEE-EXEMPT ROAD PERMIT, COUNTY ROAD DEPARTMENT 1548 ALGEBAR ST. LOS ANGELES 90031.
- STREET RESURFACING METHOD SHALL BE IN ACCORDANCE WITH SECTION 302-5 AND 301-2 OF STD. SPEC'S. REINFORCED AREA SHALL BE SEALED WITH #3-1 EMULSION AND 1/4 INCH CRUSHED #40C.
- RESURFACING SCHEDULE.

PAGE NO.	STREET	STATION LIMITS		TYPE OF RESURFACING
		FROM	TO	
2	EASTERN AVE.	1+50.00	4+93.81	4" of type I.A.C. over 12" C.A.B.
3A	EASTERN AVE.	1+00.00	7+62.99	5" of type I.A.C. over 12" C.A.B.
3B	FISHER ST.	0+92.00	1+52.00	5" of type I.A.C. over 12" C.A.B.
3B	FISHER ST.	1+52.00	2+00.00	4" of type I.A.C. over 8" C.A.B.

22 ALL CONCRETE CURBS, CUTTERS, CURBS, CUTTERS, PAYMENT, AND BREVETTES SHALL BE TURNED OR JACKED PER THE ANGLE COUNTY ROAD DEPARTMENT REQUIREMENTS.
 23 THE FOLLOWING LATEST REVISED STANDARD PLANS ON FILE IN THE OFFICE OF COUNTY ENGINEER SHALL APPLY IN THE CONSTRUCTION OF THIS PROJECT:

LEGEND	5-1
MINIMUM PUBLIC SAFETY REQUIREMENTS	5-2
BRICK MANHOLE	5-3
MANHOLE FRAME AND COVER	5-35
MANHOLE STOP	5-37
BEDDING FOR SEWER PIPE	5-38
SPECIAL SUPPORT AND PROTECTION	5-39
CRADING AND INCAUSEMENT	5-33
STANDARD WYE SUPPORT	5-36
STOPPER	5-30
NEW CONNECTION TO EXISTING BRICK MANHOLE	5-13
NON-REINFORCED PRECAST CONCRETE MANHOLE	5-36
ALLOWABLE TRENCH WIDTH	5-33

- 24 THE UNDERGROUND UTILITY COMPANIES WITHIN THE LIMITS OF THIS PROJECT ARE AS FOLLOWS:
- SOUTHERN CALIFORNIA GAS CO.
 - PACIFIC TELEPHONE AND TELEGRAPH
 - CALIFORNIA WATER SERVICE CO.
 - REINFIELD OIL CO.

CASH CONTRACT NO. 8457
CAPITAL PROJECT NO. 7413.10
 PROFILE, ALIGNMENT AND GRADE OF

OFF-SITE SANITARY SEWERS
 FOR
EASTERN AVENUE SERVICE COMPLEX
 2 SHEETS, 3 PAGES

SCALE VERT. 1" = 8'
 HORIZ. 1" = 40'
 COUNTY OF LOS ANGELES, CALIFORNIA

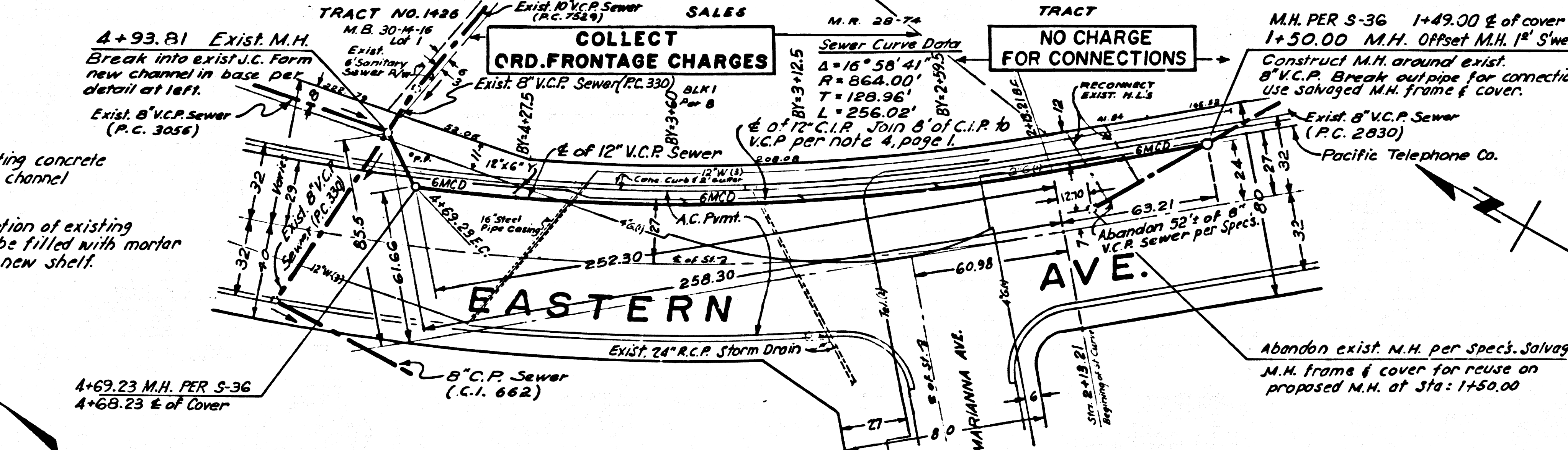
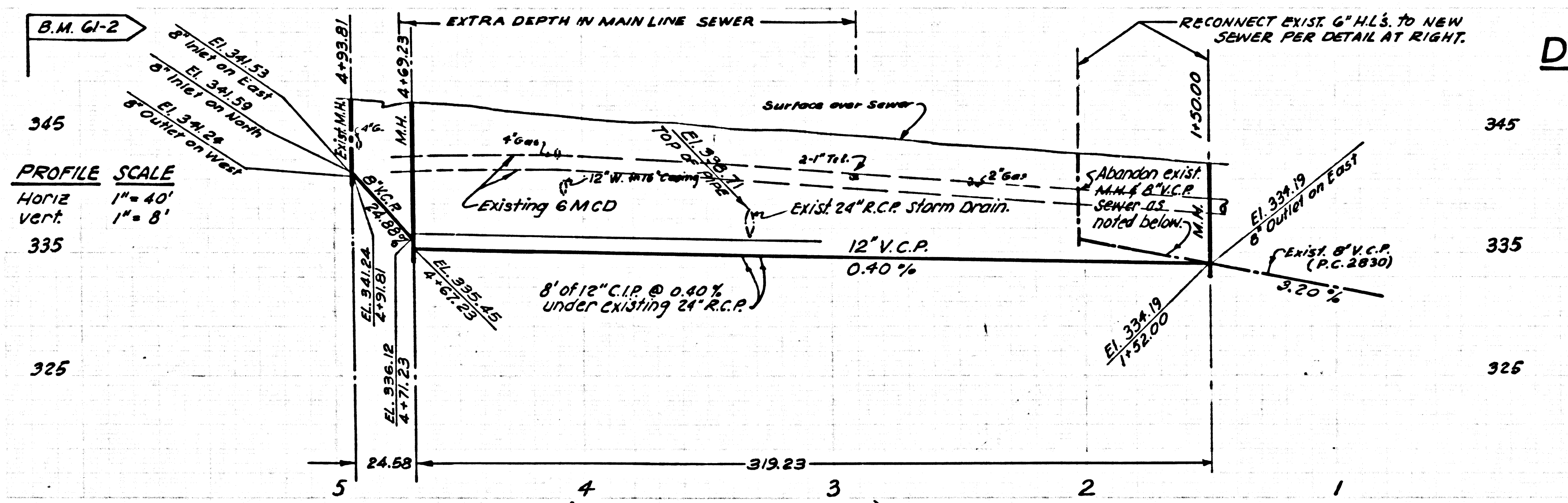
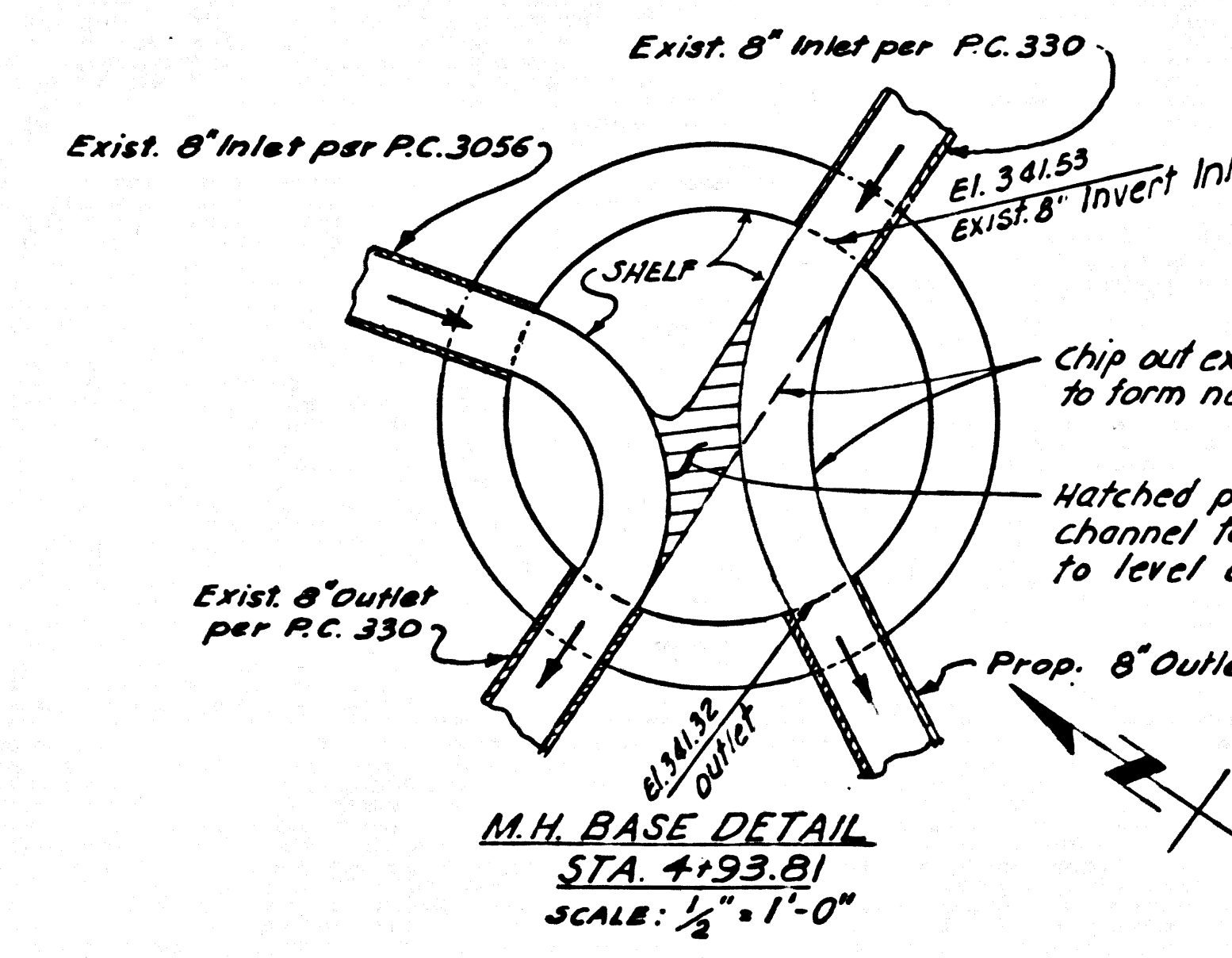
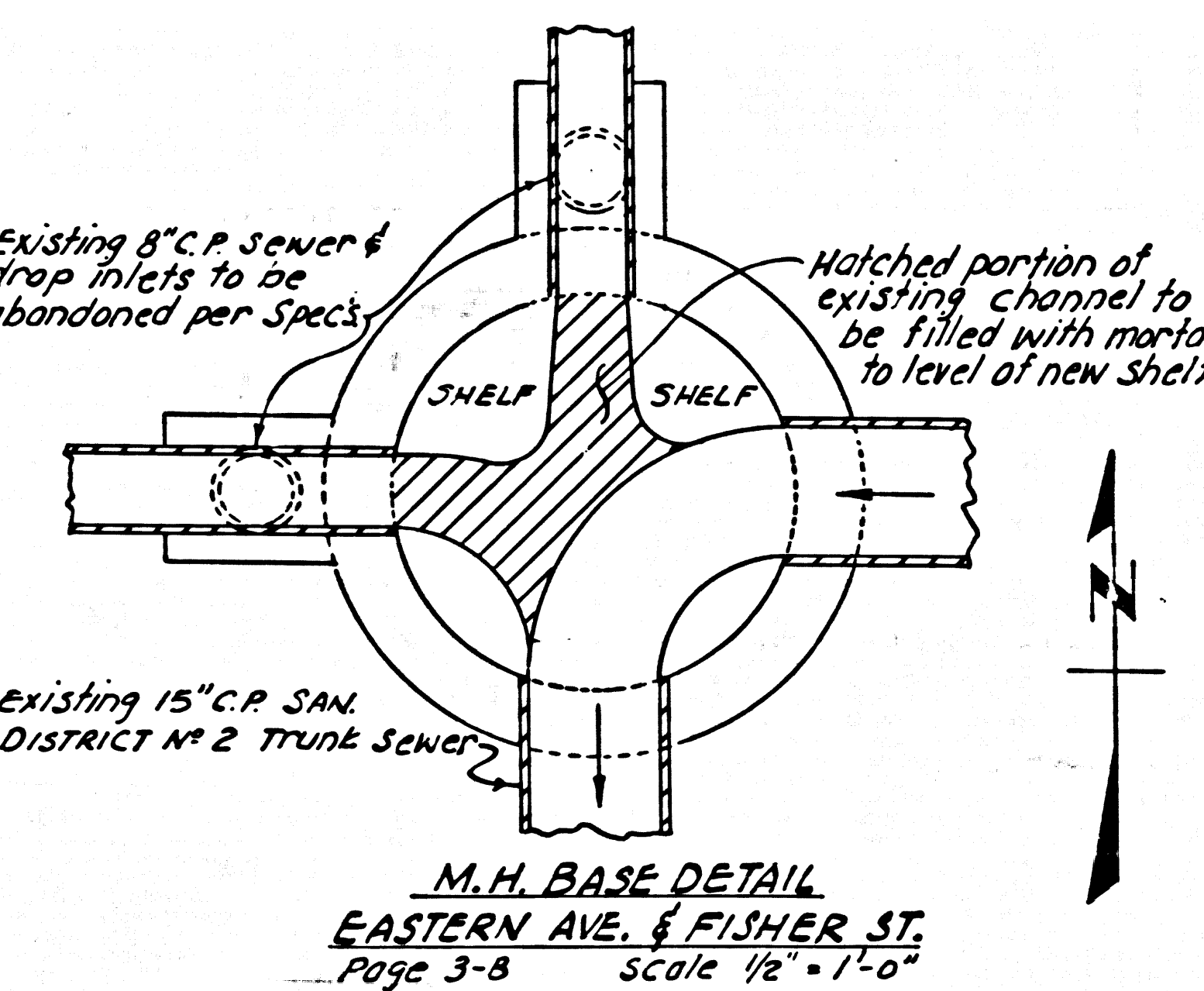
JOHN A. LAMBIE COUNTY ENGINEER
 APPROVED BY [Signature] DIVISION ENGINEER - SANITATION DIV.
 J. D. PARKHURST CHIEF ENGINEER OF COUNTY SANITATION DISTRICT NO. 2
 APPROVED BY [Signature] OFFICE ENGINEER

DESIGNED BY [Signature] REG. CIVIL ENGR. NO. 12416
 NOTES:
 WORK SHALL BE CONSTRUCTED ACCORDING TO THE STD. SPECIFICATIONS FOR PUBLIC WORKS CONSTRUCTION (4TH EDITION, WITH 1971 SUPPLEMENT) AND COUNTY ENGINEER SPECIAL PROVISIONS FOR THE CONSTRUCTION OF SANITARY SEWERS DATED APRIL 1970 AND SHALL BE PROTECTED DURING THE CONSTRUCTION OF THE COUNTY ENGINEER'S GRADES TO WHICH THIS IMPROVEMENT IS TO BE CONSTRUCTED ARE SHOWN ON PLANS AND PROFILE GRADE POINTS FOR TOP OF CURB, CENTER LINE OF STREET OR CENTER LINE OF ALLEY ARE SHOWN BY CIRCLES ON PROFILES AT ALL POINTS BETWEEN DESIGNATED POINTS THE GRADE SHALL BE ESTABLISHED SO AS TO CONFORM TO A STRAIGHT LINE DRAWN BETWEEN SAID DESIGNATED POINTS.
 ELEVATIONS ARE IN FEET ABOVE U.S.C. & G.S., SEA LEVEL DATUM OF 1929.
 UNIT PRICES FOR ADDITIONAL WORK WHICH MAY BE REQUIRED BUT WHICH CANNOT BE ASCERTAINED IN ADVANCE, SHALL BE SUBMITTED IN THE PROPOSAL.
 THIS DRAWING AND THE DATA HEREON ARE HEREBY MADE A PART OF THE SPECIFICATIONS.

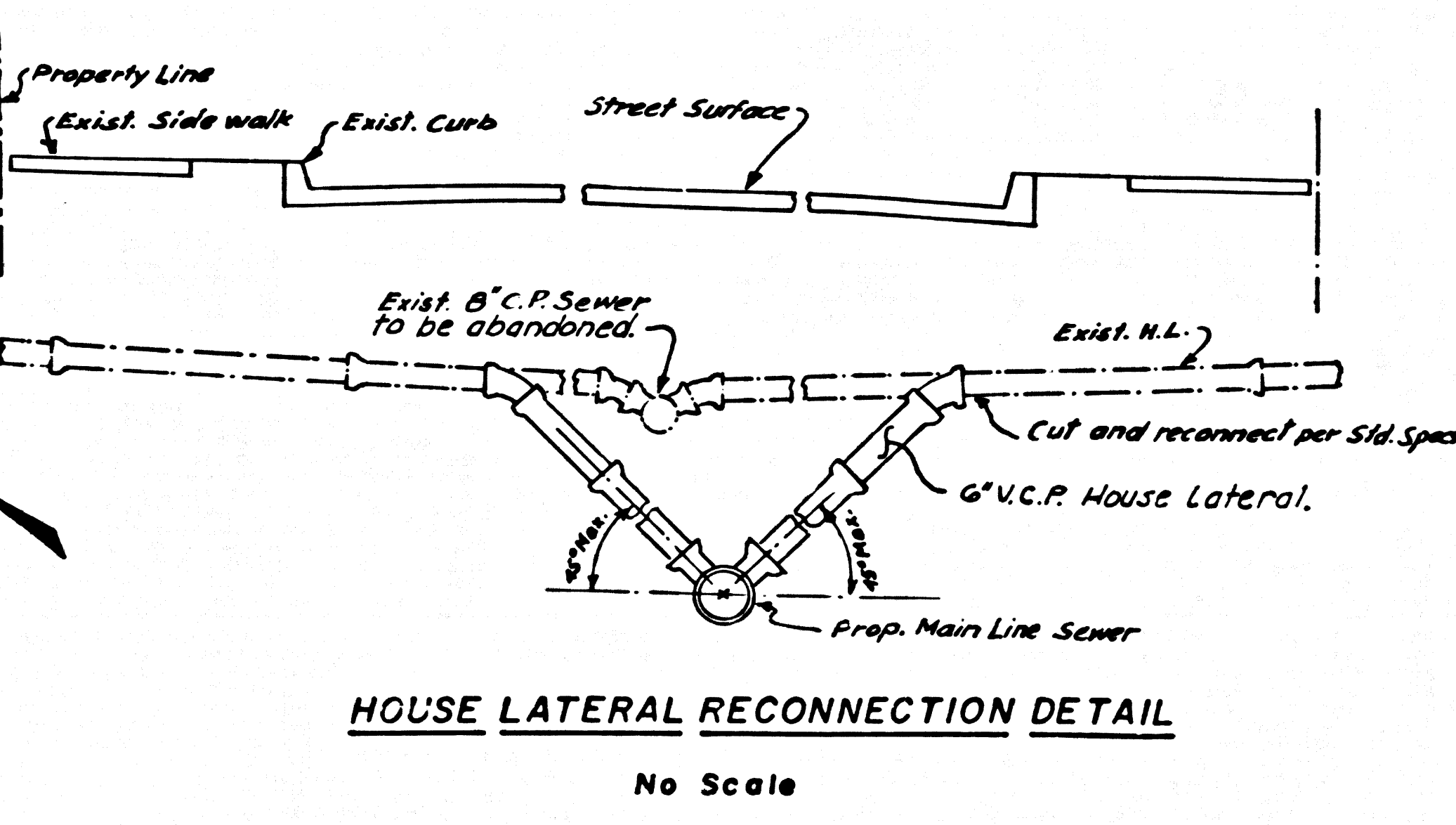
LAYOUT	Mociano	JUNE 1970	UNDERGROUND	Esquer	JUNE 1970
TRACED	Mociano	JUNE 1970	BENCH MARKS	I. BOWLES	6-18-70
CHECKED	Esquer	JUNE 1970	MAINTENANCE	Pearson	
F.B. 3917			INSPECTOR		
A.B.			W.S. 36	RECORD PLANS	

COLLECT CHARGES AS INDICATED

Revision: July 1972
 Realignment of mainline Sewer from Sta. 1+50.00 to 4+93.81, Page 2.
 Approved [Signature] Office of County Engineer - R.C.E. 18550



COLLECT CHARGES AS INDICATED



PROFILE SCALE
Horiz. 1"=40'
Vert. 1"=8'

DOUBLE SCALE

