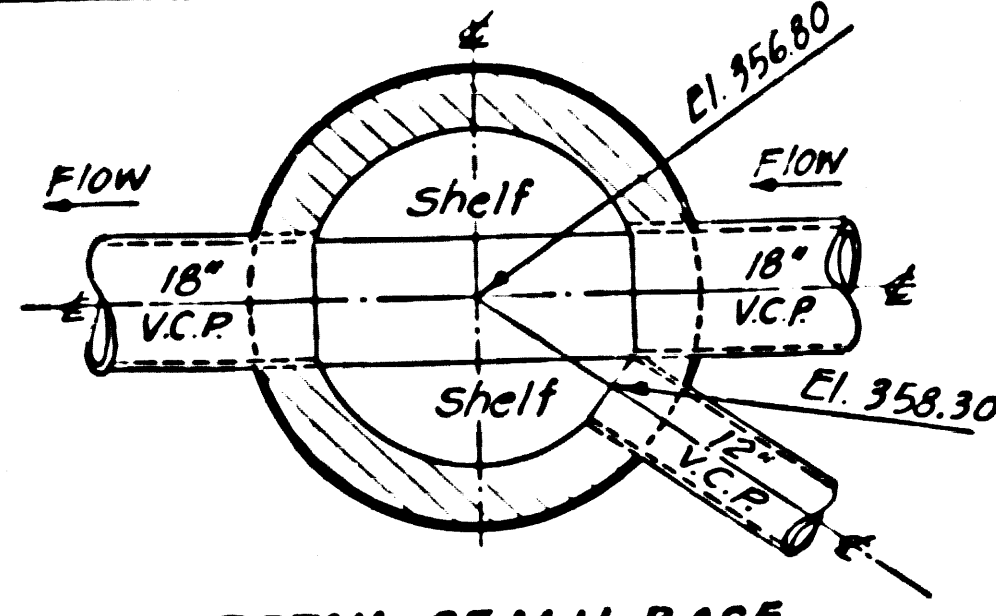
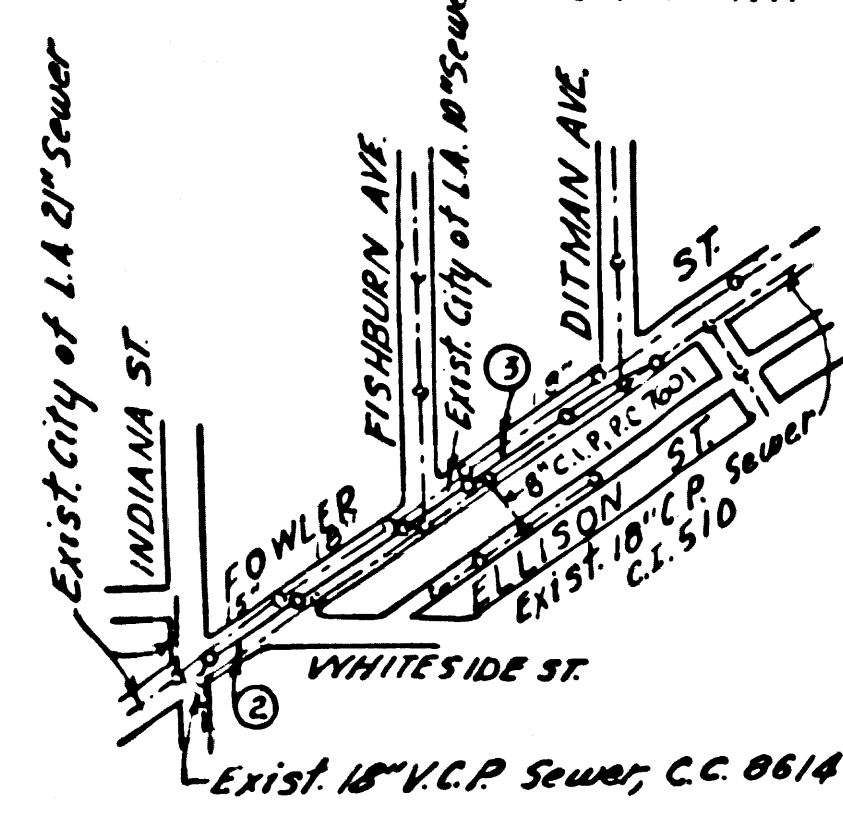


B.M. EM 50 ELEV. 361.925

F.B. 39:7-46 Fowler St and Indiana St. N.E. Cor. 1' W of E. end C.R. & P.K. Spk. in lead



DETAIL OF M.H. BASE
37A.6191.71 Scale: 1/4"=1'-0"



INDEX MAP
Scale: 1"=600'
C.C. 9029

COUNTY SANITATION DISTRICTS SHALL BE NOTIFIED 24 HOURS PRIOR TO THE FOLLOWING TO THE EXTENT REQUIRED IN SECTION 36.06.01 OF THE PUBLIC WORKS SPECIFICATIONS.

NO CONNECTION FOR THE DISPOSAL OF INDUSTRIAL WASTES SHALL BE MADE TO SEWER EXCEPT AS PER THE SPECIFICATIONS.

A PERSON PURSUING THIS CONTRACT HAS BEEN ISSUED BY THE SANITATION DISTRICTS FOR SAID CONNECTION.

NOTICE TO CONTRACTOR

THE EXISTENCE AND LOCATION OF ANY UNDERGROUND UTILITY PIPES OR STRUCTURES SHOWN ON THESE PLANS ARE OBTAINED BY A SEARCH OF THE AVAILABLE RECORDS. TO THE BEST OF OUR KNOWLEDGE THERE ARE NO EXISTING UTILITIES EXCEPT AS NOTED ON THIS PLAN.

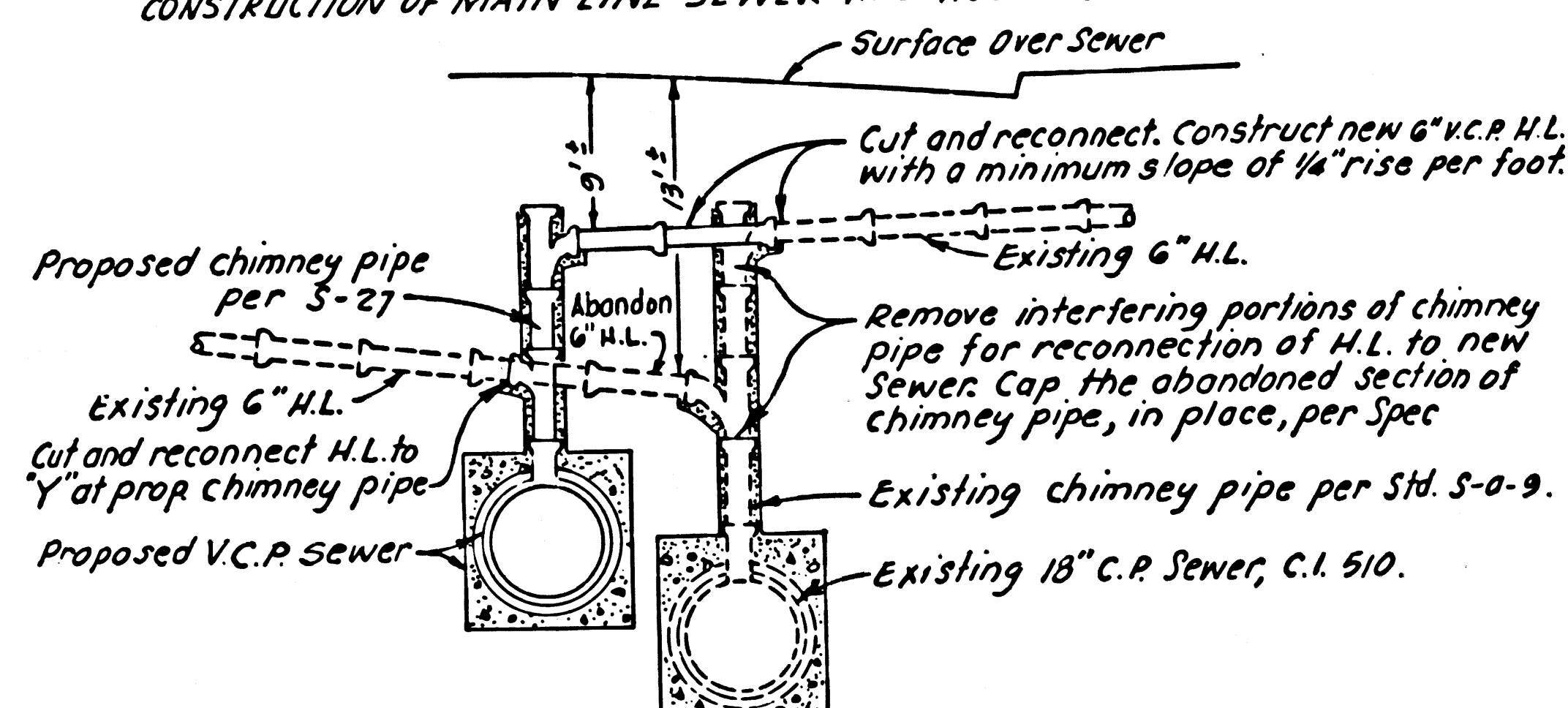
THE CONTRACTOR IS REQUIRED TO TAKE PRECAUTIONARY MEASURES TO PROTECT THE UTILITY LINES SHOWN AND ANY OTHER LINES NOT OF RECORD OR NOT SHOWN ON THIS DRAWING.

13. THE CONTRACTOR SHALL CONTACT ALL UTILITY COMPANIES FOR UTILITY MARKING AND COORDINATION PRIOR TO CONSTRUCTION.

14. PRIOR TO TRENCH EXCAVATION, THE CONTRACTOR SHALL SUBMIT TO AND OBTAIN APPROVAL FROM THE COUNTY ENGINEER OF A DETAILED PLAN SHOWING THE DESIGN OF SHORING, BRACING, SLOPING OR OTHER PROVISIONS FOR WORKER PROTECTION FROM THE HAZARD OF CAVING GROUND. IF SUCH PLAN VARIES FROM THE SHORING SYSTEM STANDARDS ESTABLISHED BY THE CONSTRUCTION SAFETY ORDERS, IT SHALL BE PREPARED BY A REGISTERED CIVIL OR STRUCTURAL ENGINEER.

15. ALL SEWER PIPE AND APPURTENANCES SHALL BE ABANDONED OR REMOVED IN ACCORDANCE WITH SEC. 306.5 OF THE STANDARD SPECIFICATIONS.

16. CONTRACTOR SHALL MAINTAIN SEWER SERVICE AT ALL TIMES DURING CONSTRUCTION OF MAIN LINE SEWER AND HOUSE LATERALS.



DETAIL OF CHIMNEY PIPE AND HOUSE LATERAL RECONSTRUCTION (NOT TO SCALE)

DOUBLE SCALE

GENERAL NOTES:

- 1. REFER TO SECTION 7.10-4.1 OF STANDARD SPECIFICATIONS REGARDING SAFETY ORDERS.
- 2. ALL MANHOLES SHALL BE EITHER BRICK PER S.3 OR PRECAST CONCRETE PER S.34, EXCEPT AS NOTED.
- 3. "T" OR "Y" BRANCHES MAY BE USED FOR CONNECTIONS TO MAIN LINE SEWER, EXCEPT AS NOTED.
- 4. WITHIN CURB AND GUTTER SHALL BE TYPE "C", "D", "E", "F", "G", "H", "I", "J", "K", "L", "M", "N", "O", "P", "Q", "R", "S", "T", "U", "V", "W", "X", "Y", "Z" (WITH BRICK OR PRECAST CONCRETE) PER SECTION 7.10-4.1 OF STANDARD SPECIFICATIONS.
- 5. ALL JOINTS BETWEEN CAST IRON PIPE AND VITRIFIED CLAY PIPE SHALL BE MADE WITH A RUBBER GASKET JOINT, TYPE "C", OR "D" (WITH RUBBER GASKET) PER SECTION 7.10-4.1 OF STANDARD SPECIFICATIONS.
- 6. SEWERS TO BE TESTED FOR LEAKAGE PER SECTION 306.4 OF STANDARD SPECIFICATIONS AND SPECIAL PROVISIONS.
- 7. IF A POWER POLE IS WITHIN THREE FEET OF THE SEWER, THE SEWER SHALL BE ENCASED, PER S.33 CASE H, TWO FEET ON EACH SIDE FROM THE POINT OF INTERFERENCE.
- 8. FOR LEGENDS SEE STANDARD PLAN S-1.
- 9. ALL PIPE IS STANDARD DEPTH EXTRA STRENGTH VITRIFIED CLAY PIPE, EXCEPT AS NOTED.
- 10. NO REVISIONS SHALL BE MADE TO THESE PLANS WITHOUT THE APPROVAL OF THE COUNTY ENGINEER.
- 11. ALL HOUSE LATERALS SHALL BE CONSTRUCTED IN A STRAIGHT ALIGNMENT AT RIGHT ANGLES FROM THE MAIN LINE SEWER EXCEPT AS SHOWN ON THE PLANS. HOUSE LATERALS FROM CHIMNEYS SHALL NOT HAVE AN ANGLE OF LESS THAN 45 DEGREES WITH THE MAIN LINE SEWER.
- 12. ALL CONCRETE CROSS GUTTERS, CURBS, GUTTERS, PAYMENTS, AND DRIVEWAYS SHALL BE TUNNELED OR JACKED PER LOS ANGELES COUNTY ROAD DEPARTMENT REQUIREMENTS.

STREET RESURFACING:

STREET RESURFACING METHODS SHALL BE IN ACCORDANCE WITH SECTION 204-1.5.0 OF THE SPECIAL PROVISIONS. FINAL STREET RESURFACING IN ANY LOCATION SHALL BE COMPLETED WITHIN 30 DAYS AFTER COMPLETION OF TRENCH BACKFILL. THE RESURFACED AREA SHALL BE SEALED WITH 95-HEMULSION AND 1/4 INCH CRUSHED ROCK. RESURFACING SCHEDULE: RESURFACE TRENCH WITHIN PAVED AREA WITH TYPE "X" ASPHALTIC CONCRETE 1/2 INCHES IN THICKNESS ON 1 1/2 INCHES OF AGGREGATE BASE MATERIAL.

Table with 2 columns: Description and Quantity. Includes items like 'Grading and Encasement', 'Standard Wye on Tee Support', 'Allowable Trench Widths', 'Locking Manhole Frame and Cover', 'Non Reinforced Precast Concrete Manhole', 'Special Support and Protection', 'Existing Electric Cables', 'Precast Concrete M.H.', 'Grading and Encasement', 'Standard Wye on Tee Support', 'Allowable Trench Widths', 'Locking Manhole Frame and Cover', 'Non Reinforced Precast Concrete Manhole', 'Special Support and Protection', 'Existing Electric Cables', 'Precast Concrete M.H.'.

THE FOLLOWING LATEST REVISED STANDARD PLANS ON FILE IN THE OFFICE OF COUNTY ENGINEER SHALL APPLY IN THE CONSTRUCTION OF THIS PROJECT:

Table with 2 columns: Description and Reference. Includes items like 'Grading and Encasement', 'Standard Wye on Tee Support', 'Allowable Trench Widths', 'Locking Manhole Frame and Cover', 'Non Reinforced Precast Concrete Manhole', 'Special Support and Protection', 'Existing Electric Cables', 'Precast Concrete M.H.', 'Grading and Encasement', 'Standard Wye on Tee Support', 'Allowable Trench Widths', 'Locking Manhole Frame and Cover', 'Non Reinforced Precast Concrete Manhole', 'Special Support and Protection', 'Existing Electric Cables', 'Precast Concrete M.H.'.

1. LOS ANGELES COUNTY ROAD DEPARTMENT (SEE TRENCH).
2. LOS ANGELES COUNTY ENGINEER (SEE CONSTRUCTION PERMIT (FEE EXEMPT)).
3. PRIOR TO EXECUTION OF THE CONTRACT AGREEMENT BY THE COUNTY, THE CONTRACTOR SHALL OBTAIN AT HIS EXPENSE A PERMIT TO EXCAVATE FROM THE STATE OF CALIFORNIA, DIVISION OF INDUSTRIAL SAFETY. THE UNDERGROUND UTILITY COMPANIES WITHIN THE LIMITS OF THIS PROJECT ARE AS FOLLOWS:

- California Water Service Company
- Pacific Telephone & Telegraph
- Southern California Gas Company

J.N. 0510.00

PAGE 1

CASH CONTRACT NO. 9029

SANITARY SEWERS

FOWLER STREET 44854

AND OTHER RIGHTS OF WAY

2 SHEETS; 3 PAGES

SCALE: VERT. 1"=0'

HORIZ. 1"=40'

JULY 1974

COUNTY OF LOS ANGELES, CALIFORNIA
HARVEY T. BRANDT COUNTY ENGINEER

APPROVED: [Signature] 7/24/74
HEAD, DESIGN BRANCH (DATE)
DESIGNED: [Signature] 7/24/74
REG. C. E. NO. 22022 (DATE)

APPROVED: [Signature] JOHN D. PARKHURST
CHIEF ENGINEER OF COUNTY SANITATION DISTRICT NO. 2
OFFICE ENGINEER

NOTES:

WORK SHALL BE CONSTRUCTED ACCORDING TO THE STANDARD SPECIFICATIONS FOR PUBLIC WORKS CONSTRUCTION (1972 EDITION) WITH 10% SUPPLEMENTARY AND COUNTY ENGINEER SPECIAL PROVISIONS FOR THE CONSTRUCTION OF SANITARY SEWERS DATED MARCH 1, 1974 AND SHALL BE PROSECUTED ONLY IN THE PRESENCE OF THE COUNTY ENGINEER. THE CONTRACTOR SHALL NOTIFY THE DESIGN DIVISION BY TELEPHONE (213) 374-3081 AT LEAST 24 HOURS BEFORE STARTING ANY WORK UNDER THIS CONTRACT. GRADES TO WHICH THIS IMPROVEMENT IS TO BE CONSTRUCTED ARE SHOWN ON PLANS AND PROFILES. GRADE POINTS FOR TOP OF CURB, CENTER LINE OF STREET OR CENTER LINE OF ALLEY ARE SHOWN BY CIRCLES ON PROFILES. AT ALL POINTS BETWEEN DESIGNATED POINTS THE GRADE SHALL BE ESTABLISHED SO AS TO CONFORM TO A STRAIGHT LINE DRAWN BETWEEN SAID DESIGNATED POINTS. ELEVATIONS ARE IN FEET ABOVE U.S.C. & G.S. SEA LEVEL DATUM OF 1929. THIS DRAWING AND THE DATA HEREON ARE HEREBY MADE A PART OF THE SPECIFICATIONS.

Table with 4 columns: LAYOUT, TRACED, CHECKED, MAINTENANCE. Includes dates like JUNE 14, 1974 and names like ESQUER, ARNDT.

C.C. 9029 PAGE 2

DOUBLE SCALE
NO CHARGE FOR CONNECTION

