

B.M. 25 3914 ELEV. 440.571
 RAMSET NO. MCR 33 FT. 5 1/2 IN. F.E. & INT.
 JELLYCK AVE & GREENBAY DRIVE
 OTTERBEIN QUAD. 19 20

NOTE TO CONTRACTOR:
 SERVICE TO EXISTING P.C. 8980, P.C. 8473, AND P.C. 6990
 MUST BE MAINTAINED DURING CONSTRUCTION

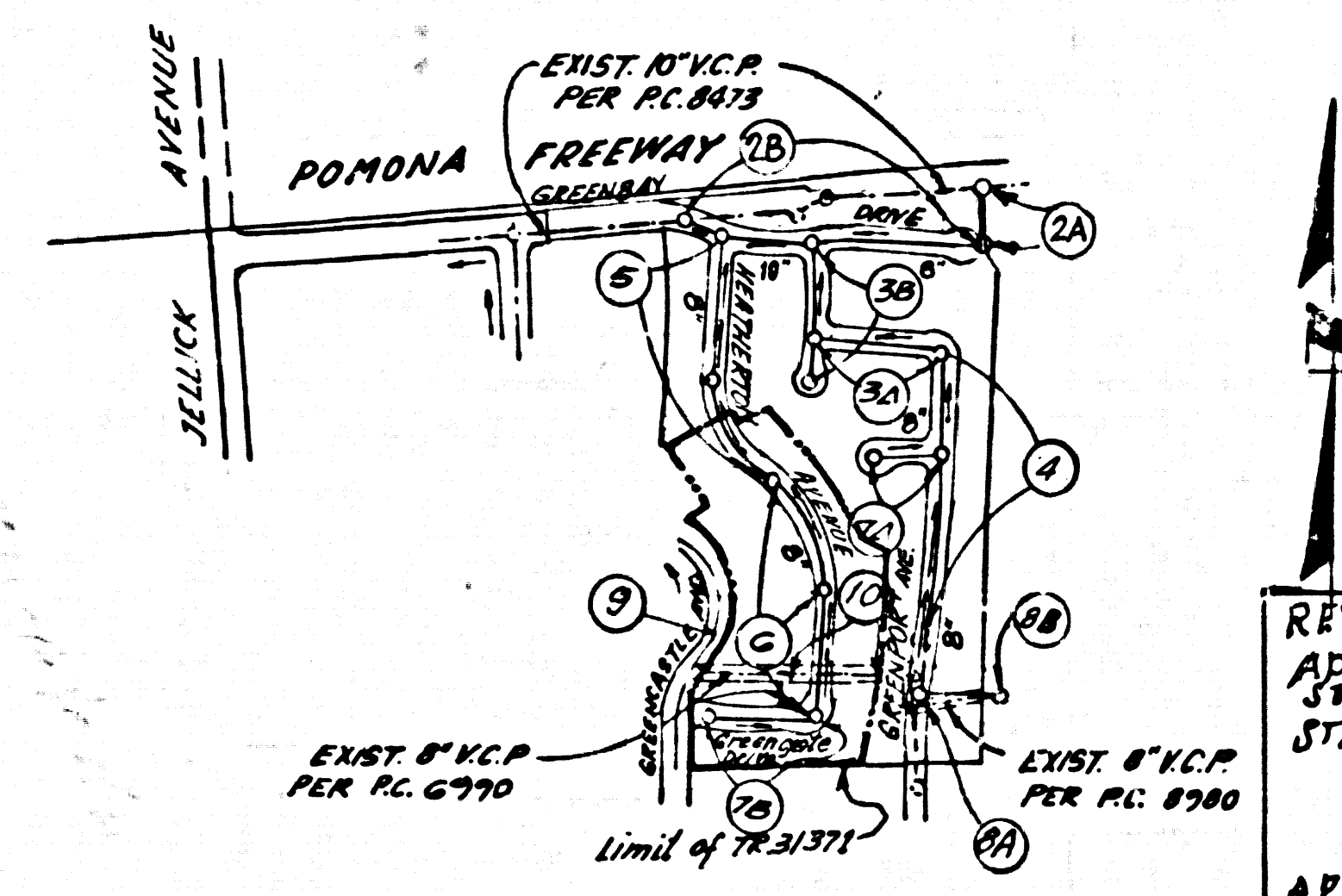
GENERAL NOTES:

- ELEVATIONS ARE IN FEET ABOVE U.S.C. & G.S. SEA LEVEL DATUM OF 1929.
- NO REVISIONS SHALL BE MADE IN THESE PLANS WITHOUT THE APPROVAL OF THE COUNTY ENGINEER.
- NO REPRESENTATIVE OF THE COUNTY ENGINEER WILL SURVEY OR LAY OUT ANY PORTION OF THE WORK.
- GRADES TO WHICH THIS IMPROVEMENT IS TO BE CONSTRUCTED ARE SHOWN ON PLANS AND PROFILES. GRADE POINTS FOR TOP OF CURBS ARE SHOWN BY CIRCLES ON PROFILES. AT ALL POINTS BETWEEN DESIGNATED POINTS THE GRADE SHALL BE ESTABLISHED SO AS TO CONFORM TO A STRAIGHT LINE DRAWN BETWEEN SAID DESIGNATED POINTS.
- THE PRIVATE ENGINEER SHALL FURNISH THE COUNTY ENGINEER WITH GRADE SHEETS AND STATIONING FOR ALL HOUSE LATERALS AND "Y" OR "T" BRANCHES AND SHALL PROVIDE STAKES FOR THEM AT THEIR PROPER LOCATIONS WITH STATIONING PLAINLY MARKED. ALL HOUSE LATERALS SHALL BE CONSTRUCTED IN A STRAIGHT ALIGNMENT AT RIGHT ANGLES FROM THE MAIN LINE SEWER EXCEPT AS SHOWN ON THE PLANS. HOUSE LATERALS FROM CHIMNEYS SHALL NOT HAVE AN ANGLE OF LESS THAN 45° WITH THE MAIN LINE SEWER. ANY CHANGE IN ALIGNMENT SHALL BE REQUESTED IN WRITING BY THE PRIVATE ENGINEER.
- THE PRIVATE ENGINEER SHALL FURNISH THE HOUSE LATERAL DEPTH AT THE PROPERTY LINE BELOW THE TOP OF CURB ELEVATION FOR EACH HOUSE LATERAL ON THE GRADE SHEET.
- BEFORE WORK CAN BE STARTED, THE CONTRACTOR MUST OBTAIN A PERMIT TO EXCAVATE IN COUNTY STREETS FROM THE L.A. COUNTY ROAD DEPT., DISTRICT OFFICE NO. 1, AND PAY A FEE TO THE COUNTY ENGINEER, 129 S. PARK VIEW ST., SAN DIMAS, REGIONAL OFFICE, TO COVER THE COST OF CONSTRUCTION INSPECTION AND RECORD PLANS.
- IF WORK IS TO BE DONE IN A STATE HIGHWAY, A PERMIT MUST BE OBTAINED FROM THE STATE OF CALIFORNIA, DIVISION OF HIGHWAYS, 130 SOUTH SPRING STREET, LOS ANGELES, CALIFORNIA.
- APPROVAL OF THIS PLAN BY THE COUNTY OF LOS ANGELES DOES NOT CONSTITUTE A REPRESENTATION AS TO THE ACCURACY OF THE LOCATION OF OR THE EXISTENCE OR NON-EXISTENCE OF ANY UNDERGROUND UTILITY PIPE, OR STRUCTURE WITHIN THE LIMITS OF THE PROJECT. THE NOTE APPLIES TO ALL PAGES.
- REFER TO SECTION 7-18.4.1 OF THE STANDARD SPECIFICATIONS, REGARDING SAFETY ORDERS.
- BEFORE BREAKING INTO OR CONSTRUCTION ON A COUNTY SANITATION DISTRICT SEWER AND PRIOR TO FINAL ACCEPTANCE OF THE PROJECT SANITATION DISTRICT INSPECTOR SHALL BE NOTIFIED BY PHONE 962-8665, SO THAT REQUIRED INSPECTION CAN BE MADE.

CONSTRUCTED IN
TRACT No. 31371
PRIVATE CONTRACT NO. 9271

W.S. 38-D/4
 5 SHEETS, 10 PAGES
 SCALE: VERT. 1" = 4'
 HORIZ. 1" = 40'
 JUNE, 1976
 PREPARED IN THE OFFICES OF
ERVIN ENGINEERING
 129 S. PARK VIEW ST. LOS ANGELES, CALIFORNIA
 BY: *Thomas D. Hanson*
 REG. C. E. No. 13560

45665



REVISION No. 2 DATE 10-28-76
 ADDED 4" H.L. AT THE FOLLOWING LOCATIONS:
 STA. 4+46 PAGE 2; STA. 8+83 PAGE 3-A,
 STA. 8+10 PAGE 3-B

REVISION No. 1 DATE 10-14-76
 ELIMINATE LINE 8C SHOWN ON PAGE 2, 3
 AND B, REVISE GRADE AND EXTEND LINE 2B
 FROM STA. 7+33.63 TO STA. 11+62.31. ADD
 LINE 2A ON PAGE 2

CONSTRUCTION NOTES:

- WORK SHALL BE CONSTRUCTED ACCORDING TO THE STANDARD SPECIFICATIONS FOR PUBLIC WORKS CONSTRUCTION 1973 EDITION WITH 1974 SUPPLEMENTS AND COUNTY ENGINEER SPECIAL PROVISIONS FOR THE CONSTRUCTION OF SANITARY SEWERS DATED MARCH 1975. ALL WORK SHALL BE PROSECUTED ONLY IN THE PRESENCE OF THE COUNTY ENGINEER.
- THE CONTRACTOR SHALL NOTIFY THE COUNTY ENGINEER'S DIVISION BY TELEPHONE, (213) 974-7228, AT LEAST TWENTY-FOUR HOURS BEFORE STARTING ANY WORK UNDER THIS CONTRACT.
- HOUSE LATERALS TO BE CONSTRUCTED WITH INVERTS AT PROPERTY LINE 6 FEET BELOW CURB GRADE EXCEPT AS NOTED.
- WYE OR TEE BRANCHES MAY BE USED FOR CONNECTIONS TO MAINLINE SEWERS EXCEPT AS NOTED.
- ALL STRUCTURES SHALL BE EITHER BRICK MANHOLES PER S-3 OR PRECAST CONCRETE MANHOLES PER S-36, EXCEPT AS NOTED.
- PROVIDE STAKES ON THE PROPERTY LINE OR PROPERTY LINES PRODUCED AT RIGHT ANGLES TO THE SEWER LINE AT THE CENTER LINE OF EACH MANHOLE.
- MANHOLE TOPS IN UNIMPROVED RIGHTS OF WAY TO BE SIX INCHES ABOVE FINISHED GRADE.
- VERTIFIED CLAY PIPE JOINTS SHALL BE TYPE "B", "D", OR "G" PER STANDARD SPECIFICATIONS SECTION 208-2.
- IF A POWER POLE IS WITHIN THREE FEET OF THE SEWER, THE SEWER SHALL BE ENCASED, PER S-23, CASE II, TWO FEET ON EACH SIDE FROM THE POINT OF INTERFERENCE.
- IF DURING THE COURSE OF CONSTRUCTION IT IS DETERMINED THAT THERE IS LESS THAN FOUR FEET OF COVER OVER THE TOP OF A MAIN LINE OR HOUSE LATERAL V.C.P. SEWER WHICH IS NOT INDICATED ON THE PLANS, THE PIPE SHALL BE ENCASED PER S-23, CASE II UNLESS OTHERWISE APPROVED BY THE COUNTY ENGINEER.
- ALL JOINTS BETWEEN CAST IRON PIPE AND VERTIFIED CLAY PIPE SHALL BE MADE WITH A RUBBER SLEEVE JOINT, TYPE "C" OR "D", WITH BEARING IF NECESSARY PER STANDARD SPECIFICATIONS, SECTION 208-2.
- SEWERS TO BE TESTED FOR LEAKAGE PER SECTION 206-1.4 OF THE STANDARD SPECIFICATIONS AND SPECIAL PROVISIONS.
- RESURFACE ALL TRENCHES WITHIN PAVED AREAS TO MEET L.A. COUNTY ROAD DEPT. OR CALIFORNIA STATE HIGHWAY REQUIREMENTS IN ACCORDANCE WITH PERMITS.
- FULL COMPLIANCE WITH SECTION 206-1.3.8 OF THE SPECIAL PROVISIONS WILL BE REQUIRED FOR BACKFILL IN STREETS. CERTIFICATION OF BACKFILL COMPACTION AND SAND EQUIVALENT BY A QUALIFIED, REGISTERED TESTING LABORATORY SHALL BE PROVIDED BY THE PERMITTEE PRIOR TO THE ISSUANCE OF A CERTIFICATE OF PARTIAL ACCEPTANCE.
- SEWER ABANDONMENT PROCEDURE:
 A. ALL EXISTING SEWERS TO BE ABANDONED IN MAINTENANCE YARD OR USED IN CONSTRUCTION OF NEW MAINS.
 B. REMOVE TOP OF SEWER MANHOLES OR BRANCHES, PLUS EXHIBITS (OUTLETS WITH CONC. BACKFILL WITH SUITABLE MATERIAL CONNECTED).
 C. IF OTHER EXIST. PARTS OF THE MAINS CANNOT BE REUSED PROVIDED SUCH PARTS ARE INSPECTED AND APPROVED BY THE L.A. COUNTY CONSTRUCTION INSPECTOR.

THE FOLLOWING LATEST REVISED STANDARD PLANS ON FILE IN THE OFFICE OF THE COUNTY ENGINEER SHALL APPLY IN THE CONSTRUCTION OF THIS PROJECT.

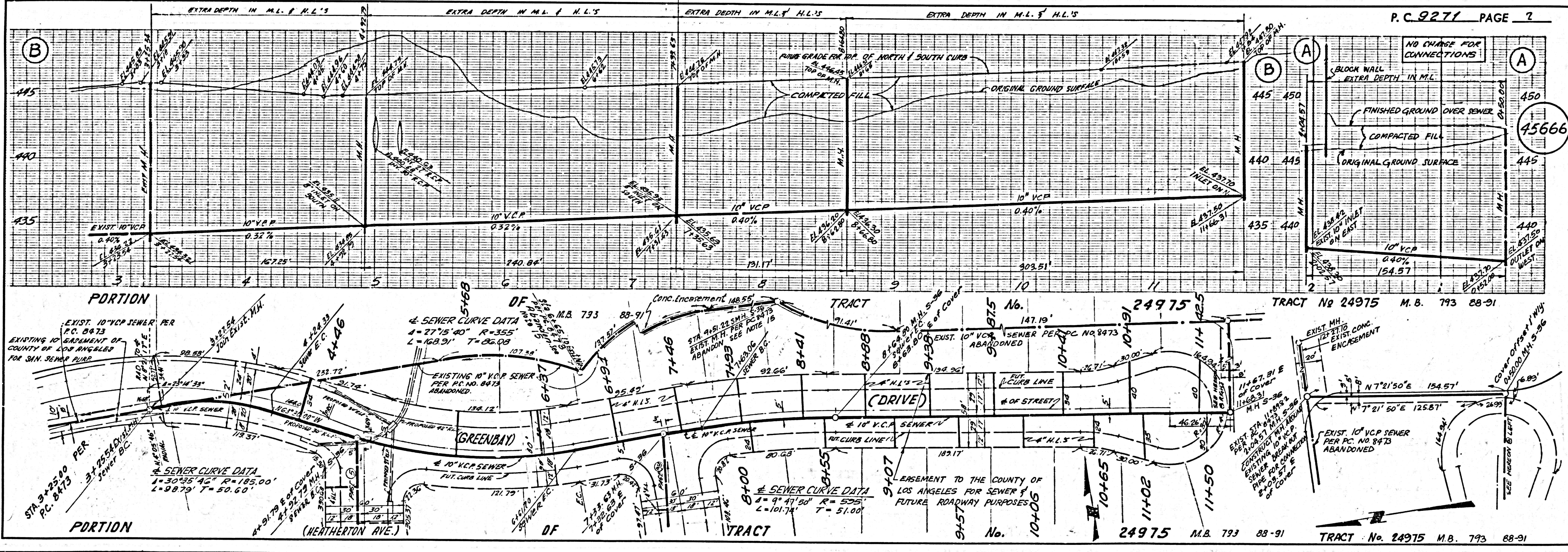
LEGEND	8-1
MINIMUM PUBLIC SAFETY REQUIREMENTS	8-2
BRICK MANHOLE	8-3
STANDARD MANHOLE STEP	8-4
BEDDING FOR SEWER PIPE	8-5
CRADLING AND ENCASEMENT	8-23
WYE OR TEE SUPPORT	8-26
ALLOWABLE TRENCH WIDTHS	8-28
LOCKING MANHOLE FRAME AND COVER	8-28
NON-REINFORCED PRECAST CONCRETE MANHOLE	8-34
SADDLES FOR HOUSE LATERALS	8-38

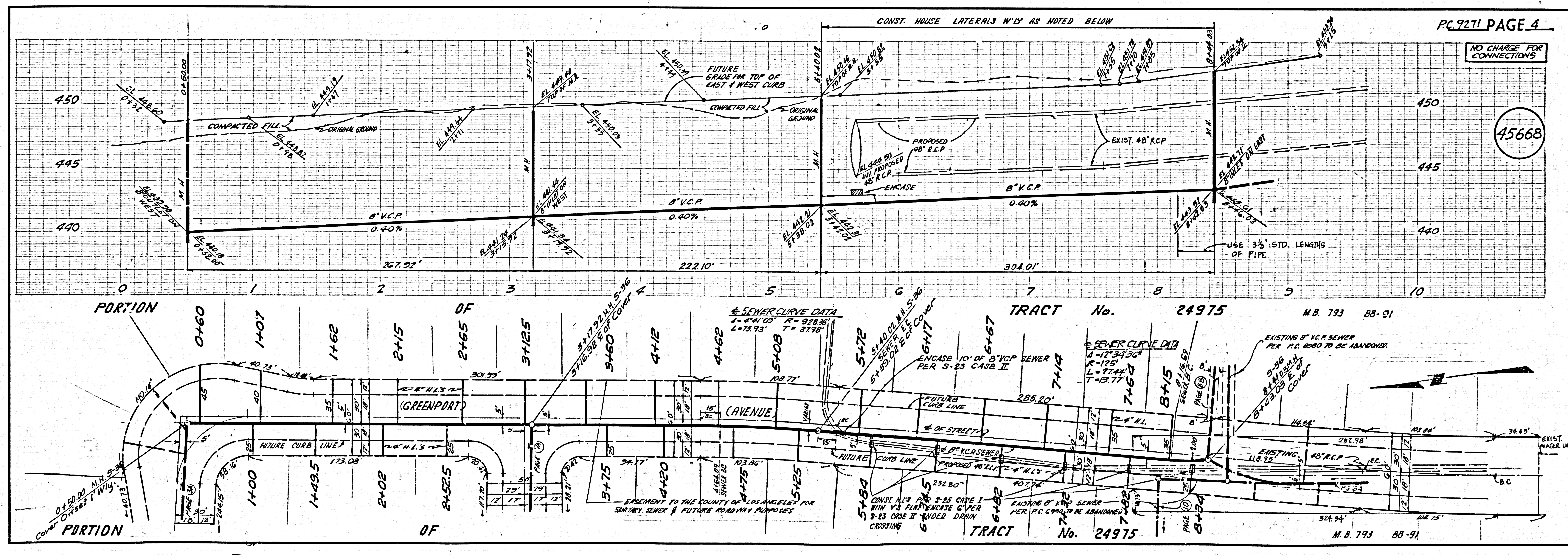
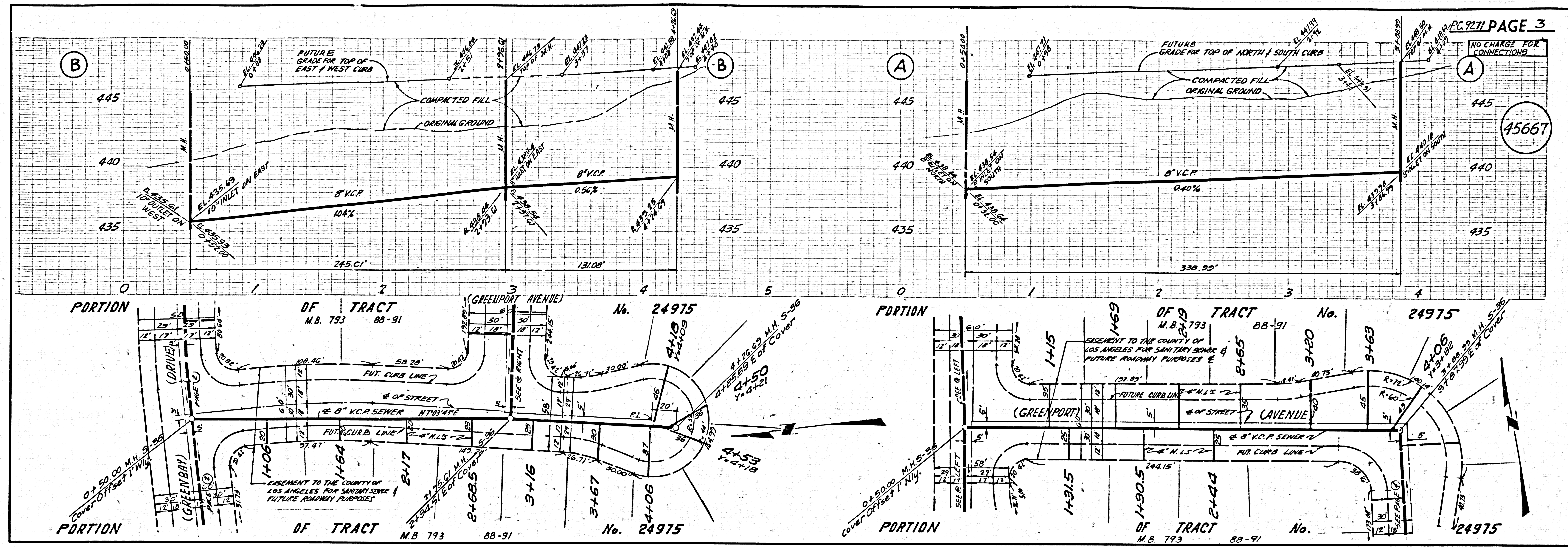
NO CONNECTION FOR THE DISPOSAL OF INDUSTRIAL WASTES SHALL BE MADE TO SEWERS SHOWN ON THESE DRAWINGS UNTIL A PERMIT FOR INDUSTRIAL WASTE WATER DISCHARGE HAS BEEN ISSUED BY THE SANITATION DISTRICTS FOR SAID CONNECTION.

PRIVATE ENGINEER'S
 NOTICE TO CONTRACTOR

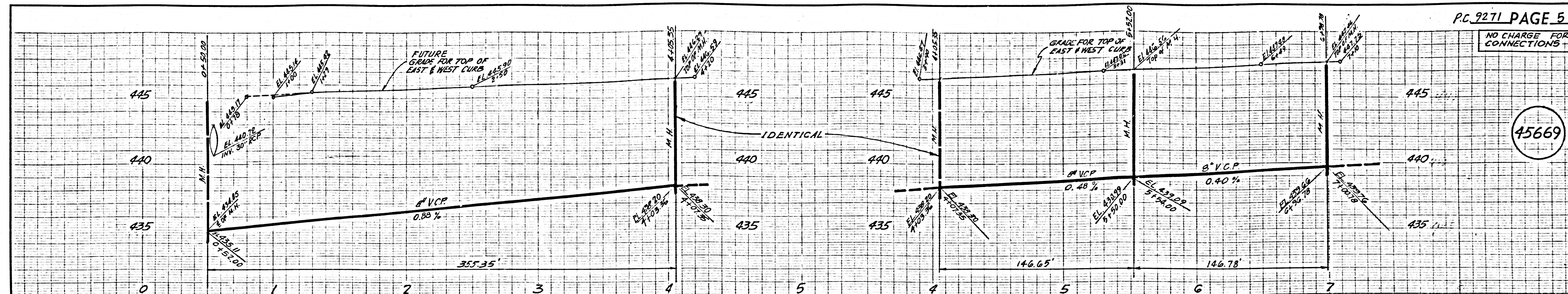
THE EXISTENCE AND LOCATION OF ANY UNDERGROUND UTILITY PIPES OR STRUCTURES SHOWN ON THESE PLANS IS BASED UPON A SEARCH OF THE AVAILABLE RECORDS. THE USER OF THESE DRAWINGS THERE ARE NO WARRANTIES MADE BY THE ENGINEER AS TO THE ACCURACY OF THE INFORMATION SHOWN ON THESE PLANS. THE CONTRACTOR IS ADVISED TO TAKE THE NECESSARY MEASURES TO VERIFY THE UTILITY LINES SHOWN AND ANY OTHER LINES NOT SHOWN OR NOT SHOWN ON THESE DRAWINGS.

COUNTY OF LOS ANGELES, CALIFORNIA
 DEPARTMENT OF COUNTY ENGINEER JOHN D. PARKHURST, CHIEF ENGINEER
 CO. SAN. DIST. NO. 21
 APPROVED: *B.T. Marling* SAN DIMAS REGIONAL ENGINEER APPROVED: *L. P. Williams* OFFICE ENGINEER
 CHECKED: *B.T. Marling 7-26-76*
 REG. C.E. NO. C 11636
 L.A. PUENTE BLDG. DIST. 20. I.N. 025002

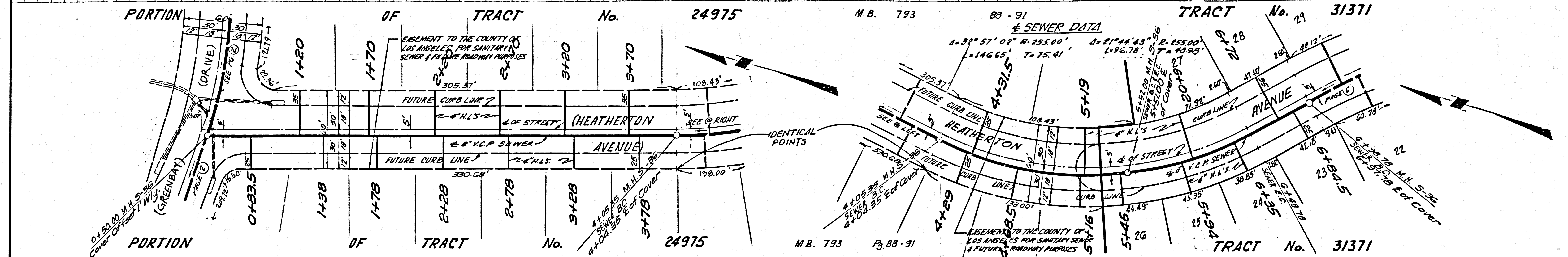




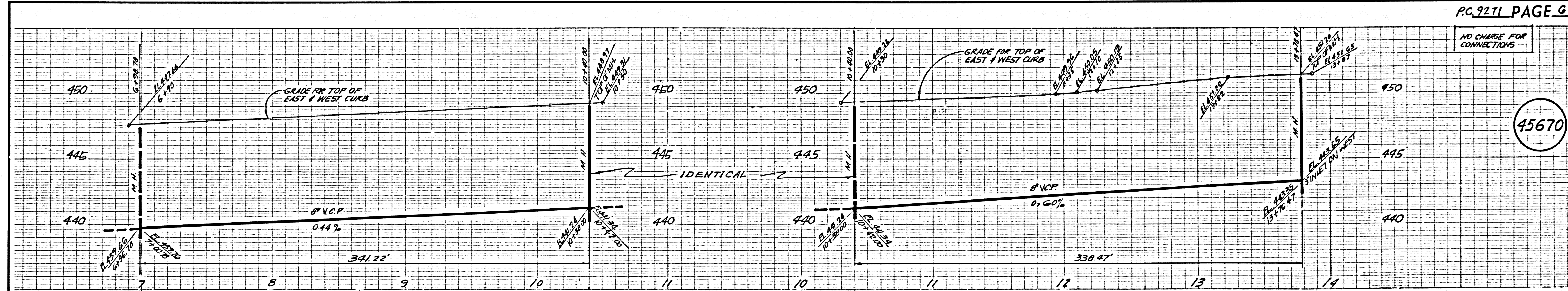
NO CHARGE FOR CONNECTIONS



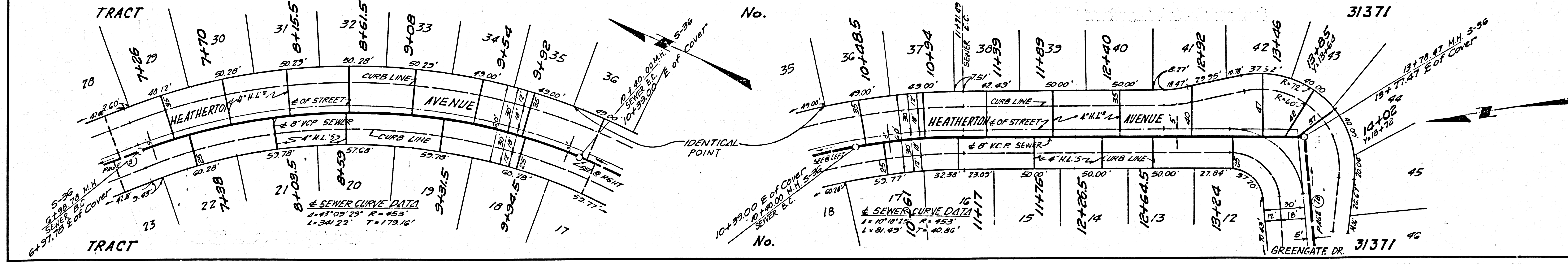
45669

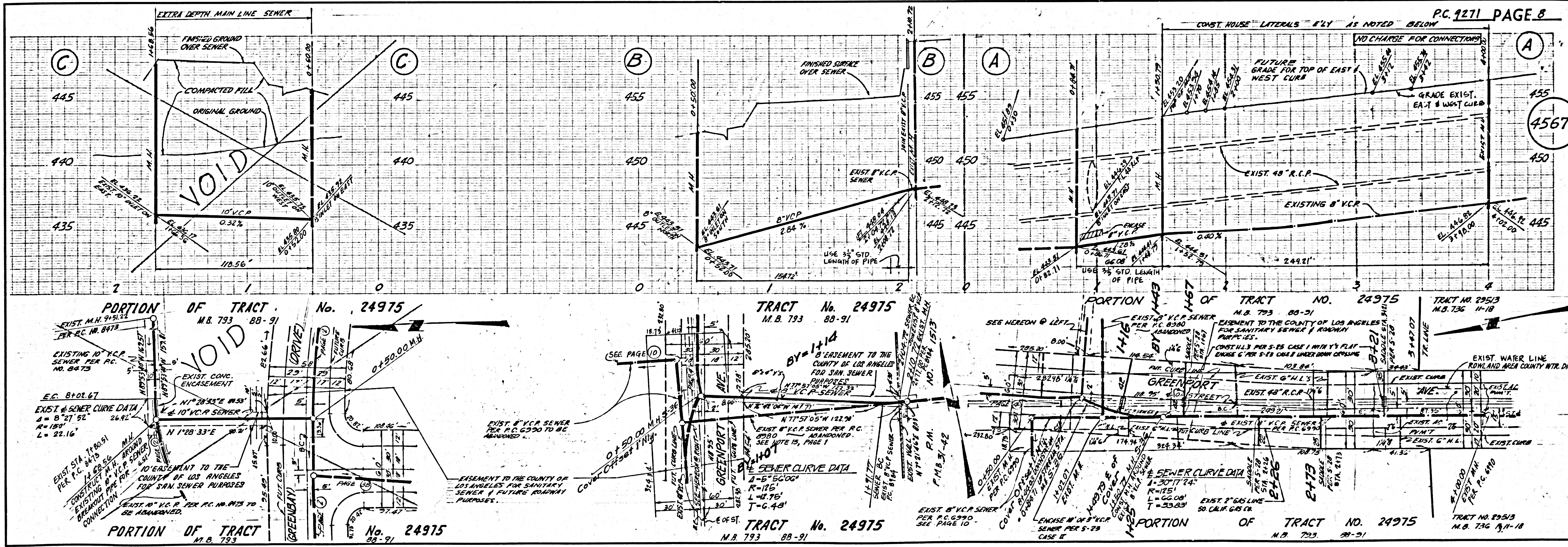
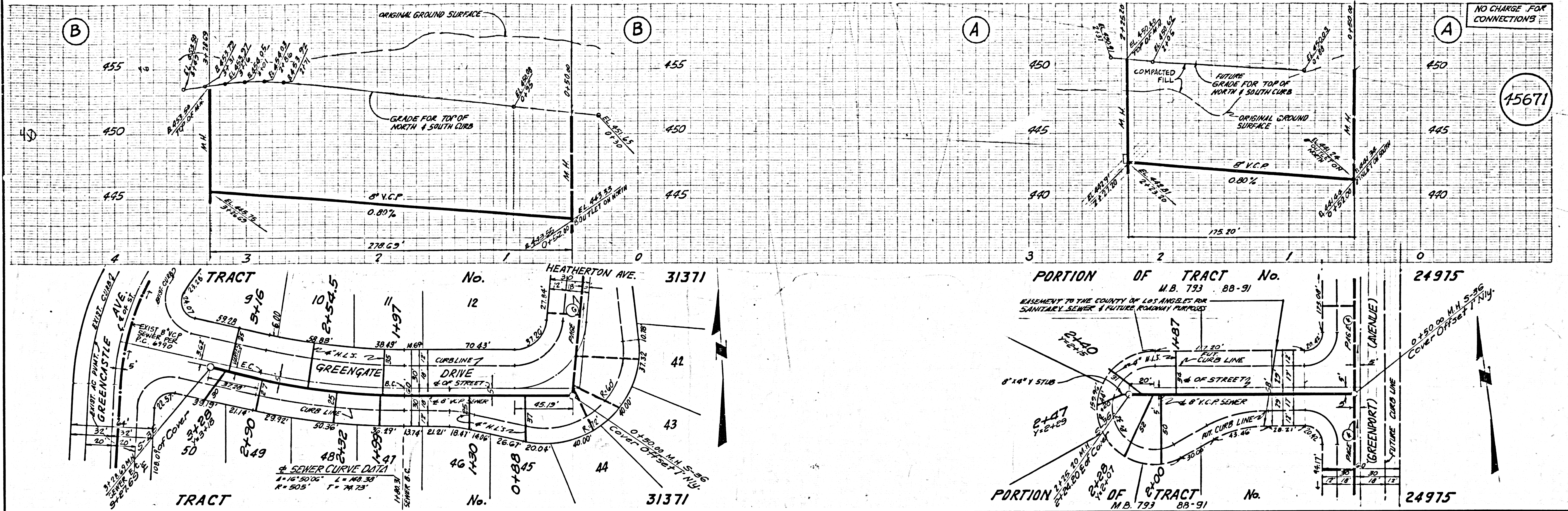


NO CHARGE FOR CONNECTIONS



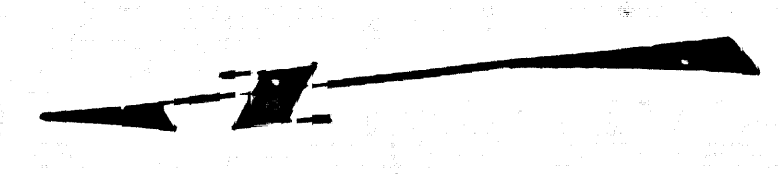
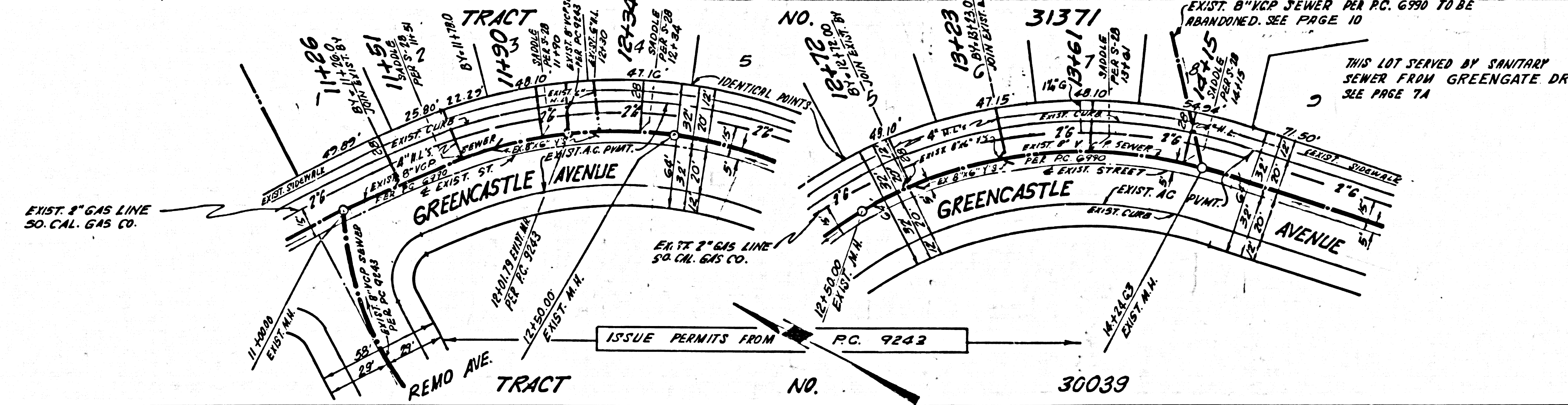
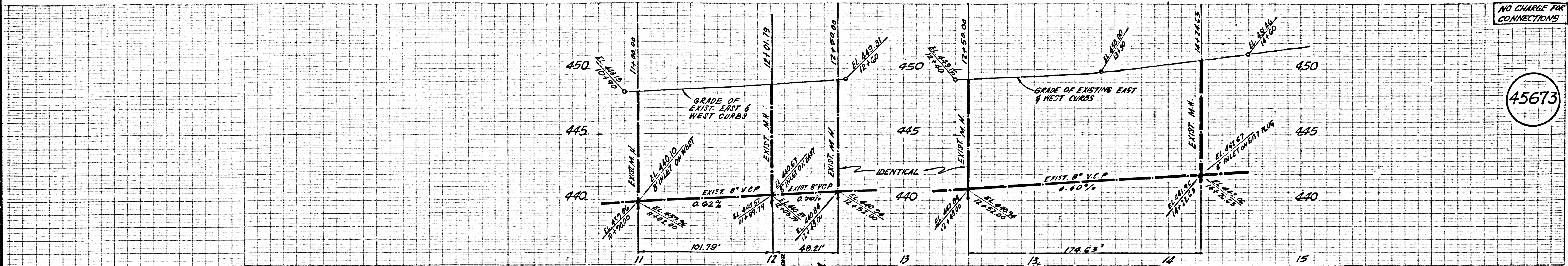
45670





NO CHARGE FOR CONNECTIONS

45673



45674

