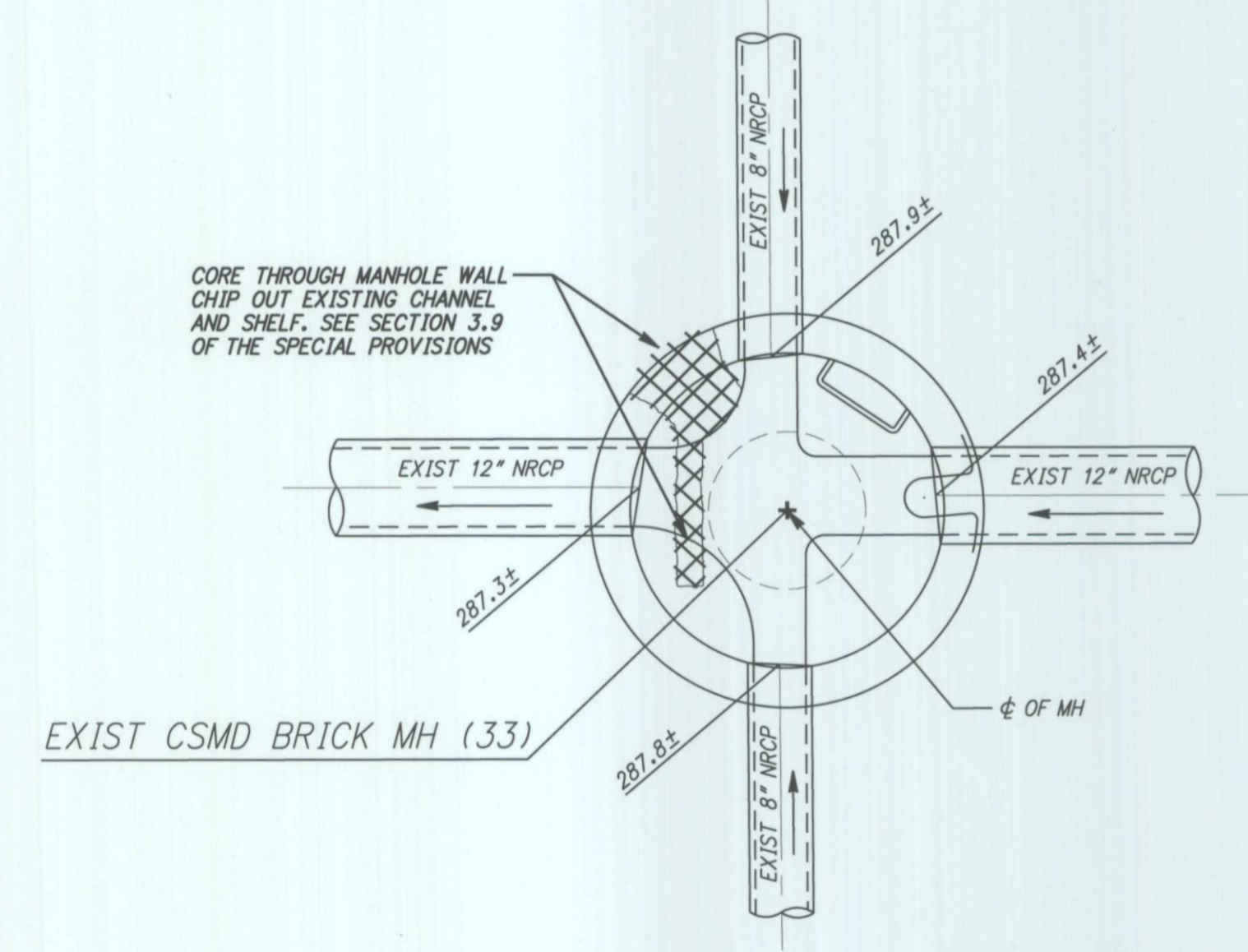
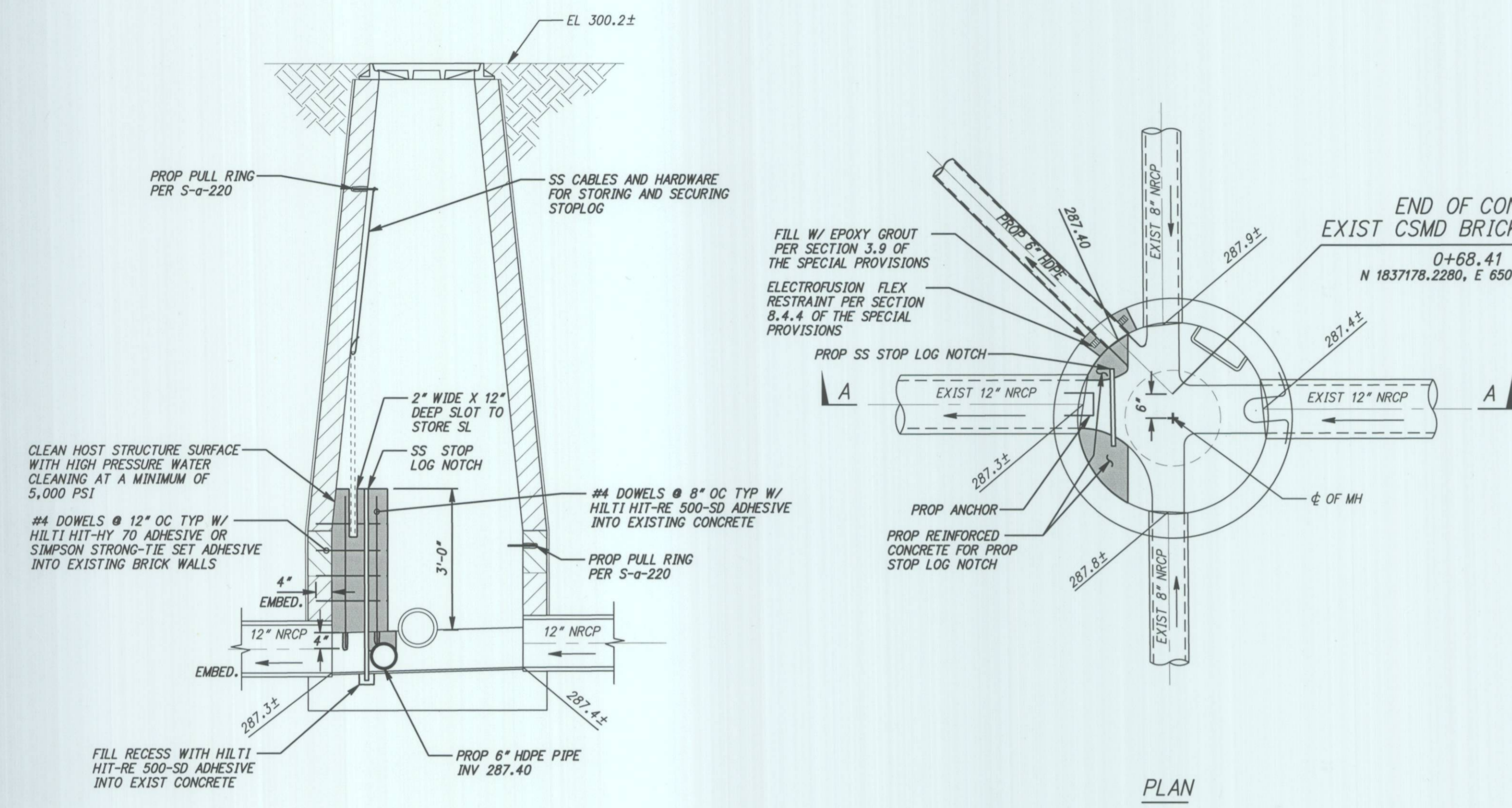


\\j760\SDXR-36B-IPLOT * SDXR-Full.pen

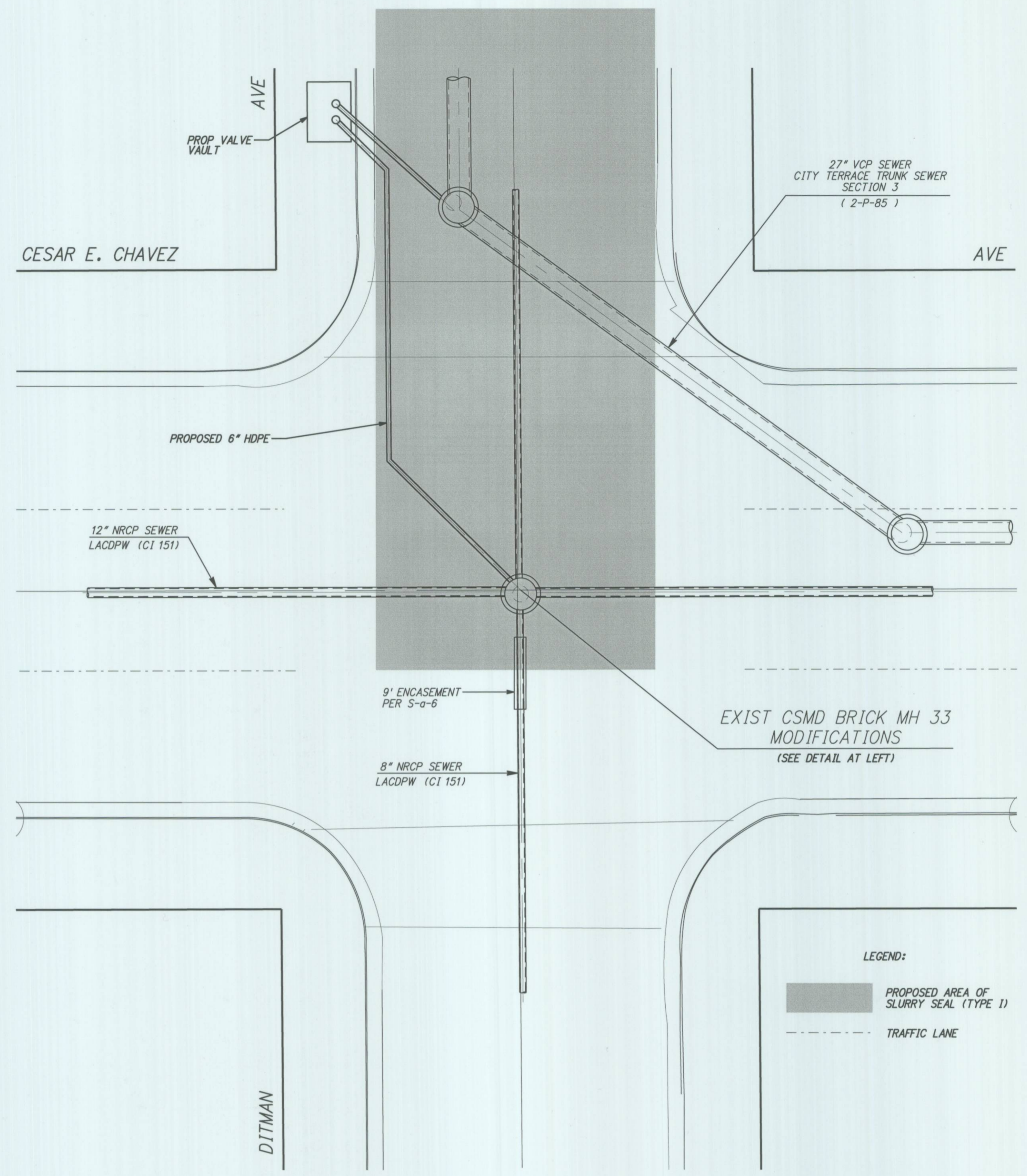
jgrofwe@el

25-FEB-2016 11:15

HORIZONTAL DATUM:	NAD83 ZONE 5 (2000.01 EPOCH)	FIELD BOOK NO.	
VERTICAL DATUM:	NAVDS8 LA CO. DPW BM Y10587 1995 ADJUSTMENT	S-401	



END OF CONST SUCTION LINE AT
EXIST CSMD BRICK MH (33) STA 0+68.41
SCALE: 1/2" = 1'-0"



END OF CONST SUCTION LINE AT
EXIST CSMD BRICK MH (33) AND PROP AREA OF SLURRY SEAL
SCALE: 1"=10'

PS007675

NO.	REVISION	REVISED BY	APPROVED BY	DATE

INDIANA STREET PUMPING PLANT
EMERGENCY BYPASS PIPING

REVIEWED BY LAND DEVELOPMENT DIVISION

BY: *[Signature]* DATE: 02/25/2016

SEWER, FINAL MAP / LANDSCAPING SUBDIVISION PLAN CHECKING SECTION

COUNTY OF LOS ANGELES DEPARTMENT OF PUBLIC WORKS
FOR PLAN CHECK REVIEW FOR THE CITY OF



COUNTY SANITATION DISTRICT NO. 2
OF LOS ANGELES COUNTY, CALIFORNIA
1955 WORMAN MILL ROAD
WHITTIER, CA 90601
562 908-4288 EXT.1602
mtatalovich@acsd.org

DWG.	
SHEET NO.	C-3
DWG. NO.	02-p-0157

WARNING 1" IF THIS LINE IS NOT 1" LONG, THEN DWG IS NOT TO SCALE.

COUNTY SANITATION DISTRICT NO. 2
OF LOS ANGELES COUNTY, CALIFORNIA

DESIGNED: A. KUD DATE FEB. 2016
DRAWN: J. GROTEWIEL DATE FEB. 2016
CHECKED: M. TATALOVICH DATE FEB. 2016
REVIEWED: M. TATALOVICH DATE FEB. 2016

INDIANA STREET PUMPING PLANT
EMERGENCY BYPASS PIPING

MODIFICATION TO EXISTING LA COUNTY DEPT OF PUBLIC WORKS (LADPW)
CONSOLIDATED SWER MAINTENANCE DISTRICT (CSMD) MANHOLE NO. 33
AND MANHOLE DETAIL (REF PC NO. 12287)

SCALE: AS NOTED

SHEET NO. C-3

DWG. NO. 02-p-0157

INITIALS DATE

REVISIONS

SPECIAL PROVISIONS DOC NO.