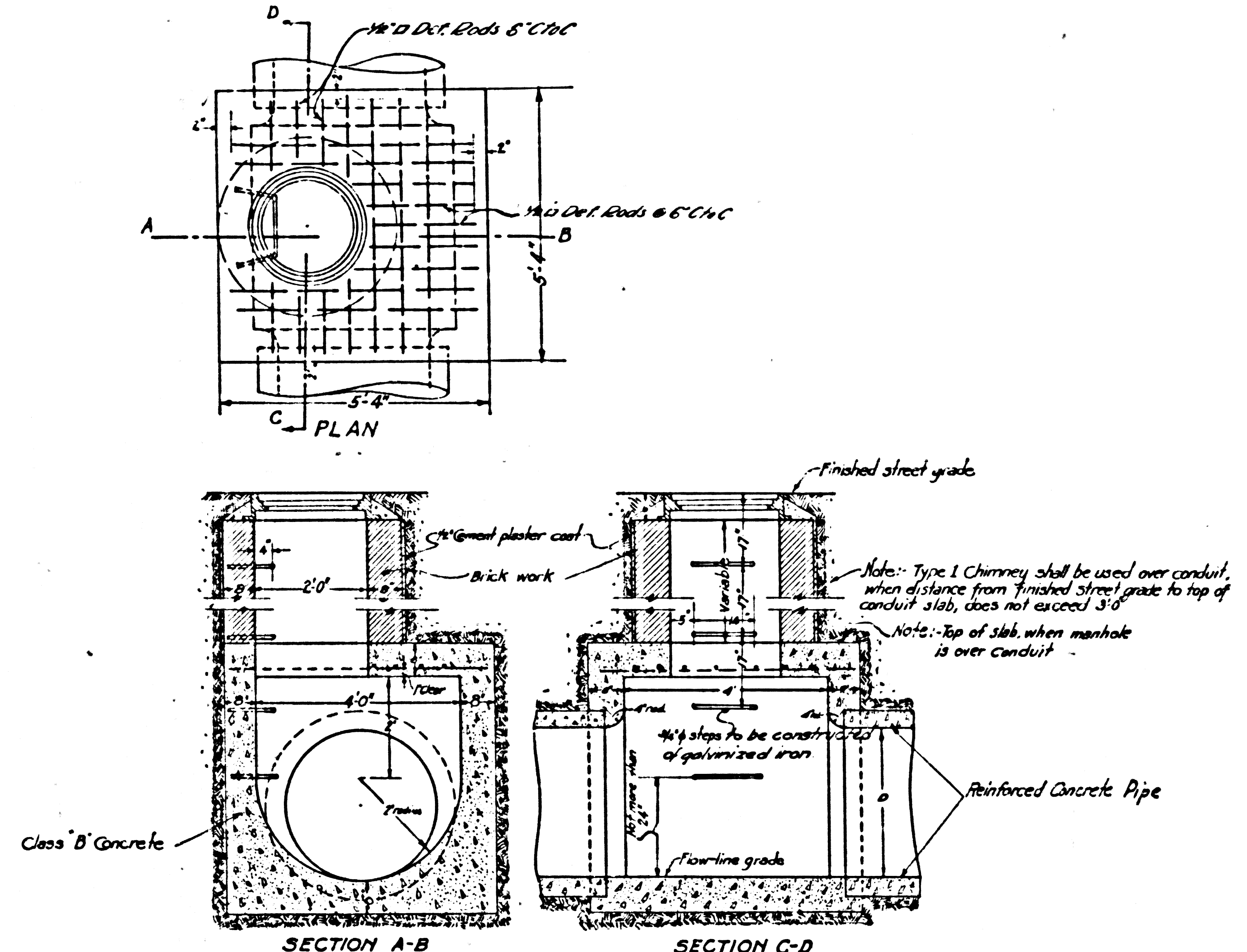
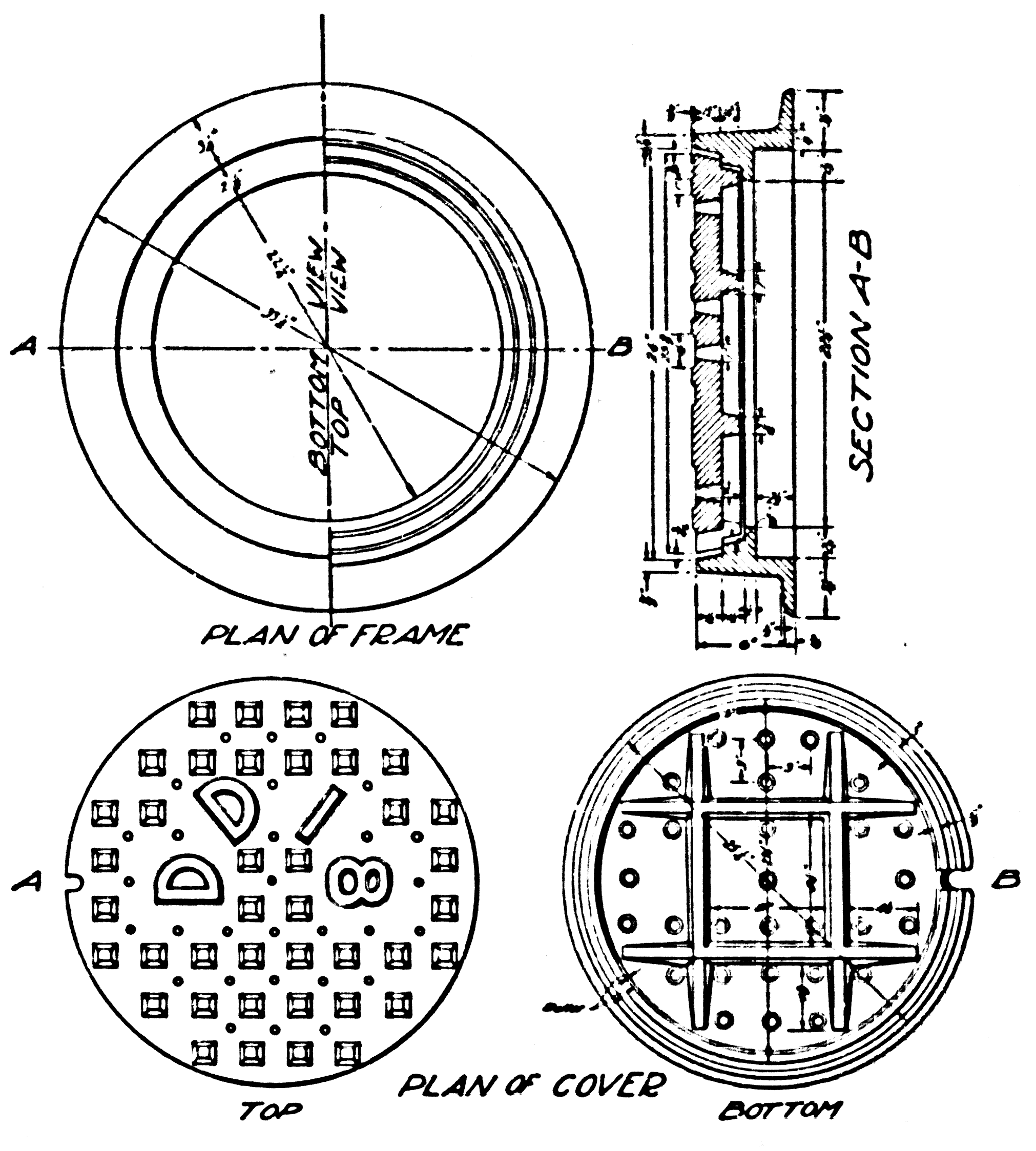


0811-B 12 13 14 15 16 17 18 19 20 21 22 23 24 25 26 27 28 29 30 31 32 33 34 35 36 37 38 39 40 41 42 43 44 45 46 47 48 49 50 51 52 53 54 55 56 57 58 59 60 61 62 63 64 65 66 67 68 69 70 71 72 73 74 75 76 77 78 79 80 81 82 83 84 85 86 87 88 89 90 91 92 93 94 95 96 97 98 99 100

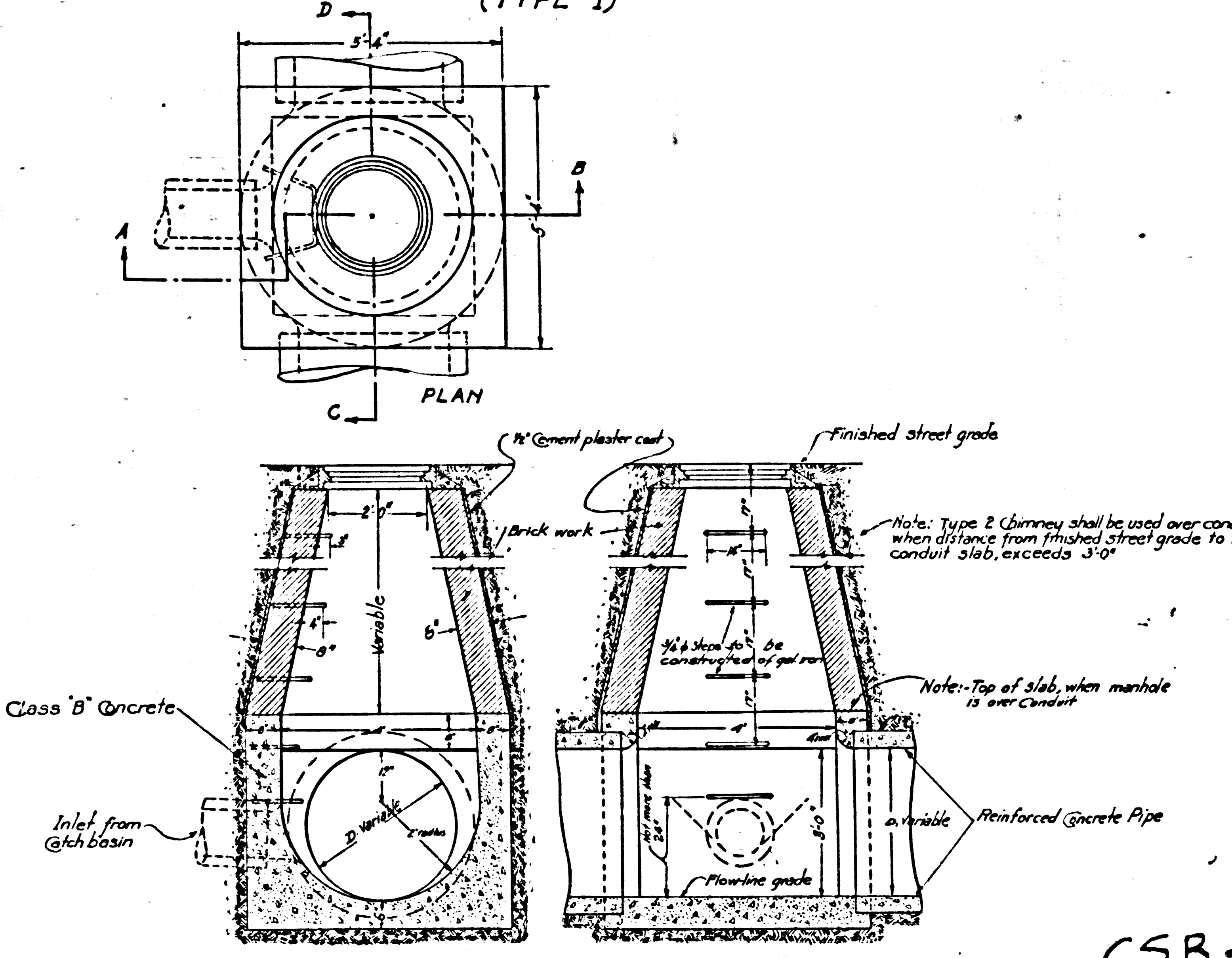
SHEET 8 OF 12 SHEETS



MANHOLE CHIMNEY LESS THAN THREE FEET (TYPE 1)



MANHOLE COVER and FRAME



MANHOLE CHIMNEY MORE THAN THREE FEET (TYPE 2)

DRAINAGE DISTRICT IMPROVEMENT NO 8

OF THE COUNTY OF LOS ANGELES  
DETAILS OF MANHOLES  
SEPTEMBER 1923

J.E. ROCKHOLD COUNTY SURVEYOR  
SHEET 8 OF 12 SHEETS

Submitted: *W. Warren* Senior Engineer  
Approved: *J.E. Rockhold* County Surveyor  
Drawn by *H.S. Dwyer* - Checked by *O.D. Heese*

Approved as to form.  
*Edward T. Bishop*  
County Coroner  
by *E.R. Candlish* Deputy

CSB-1180-8  
A1 OF A1