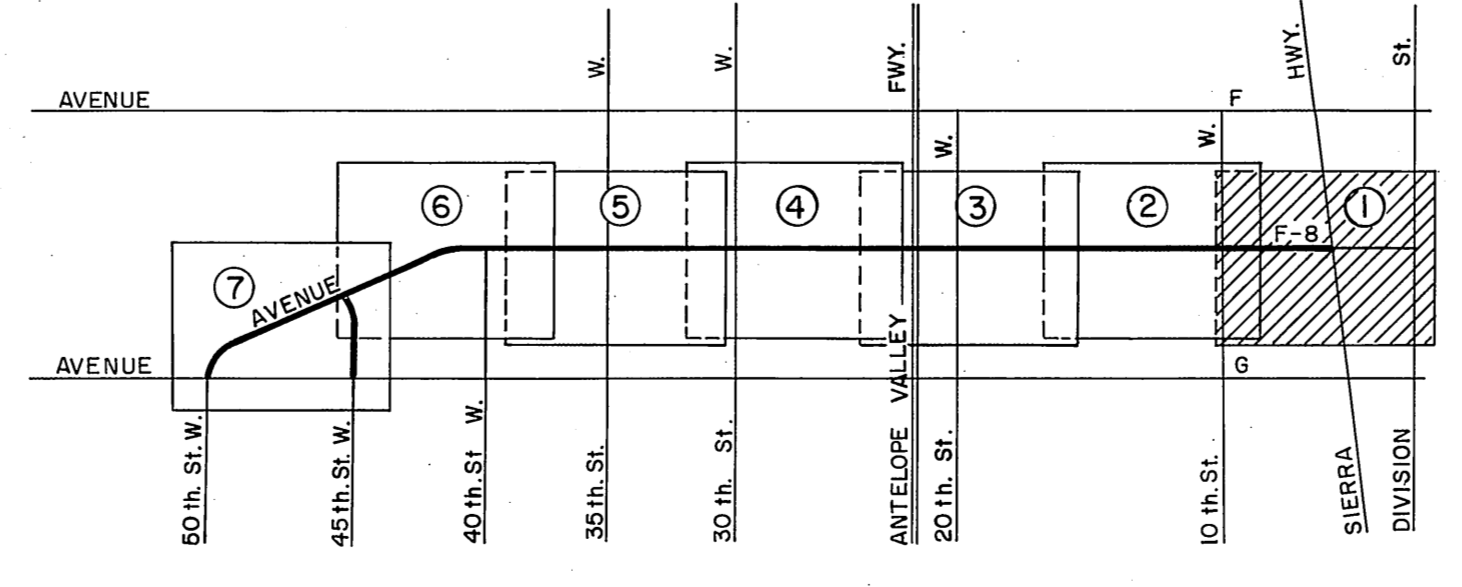
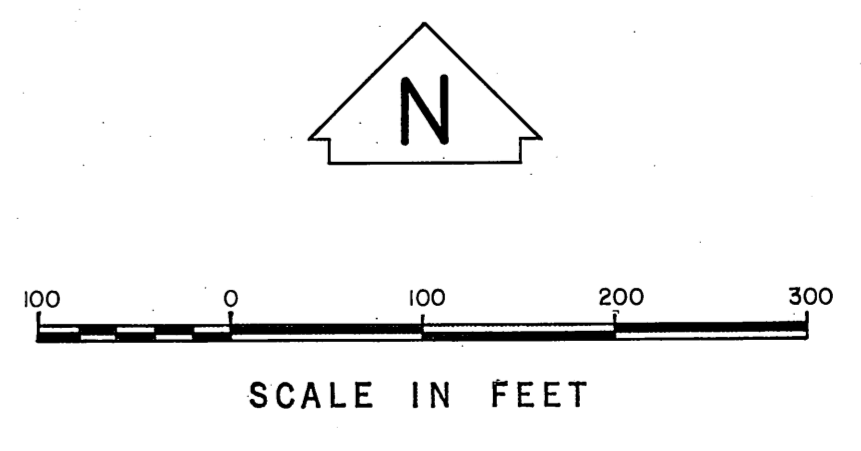


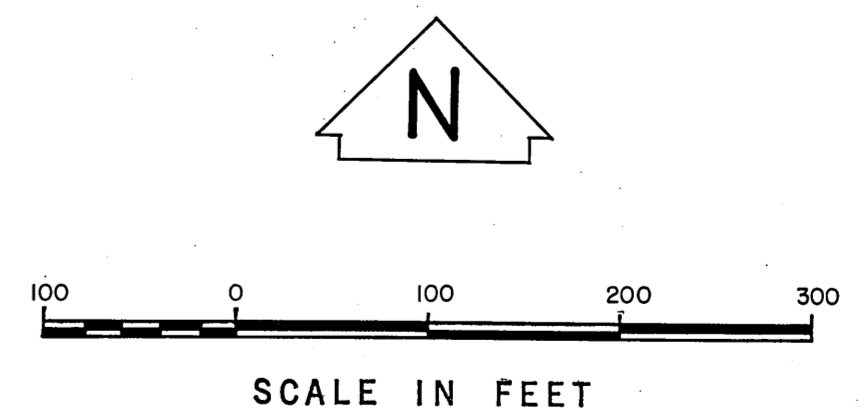
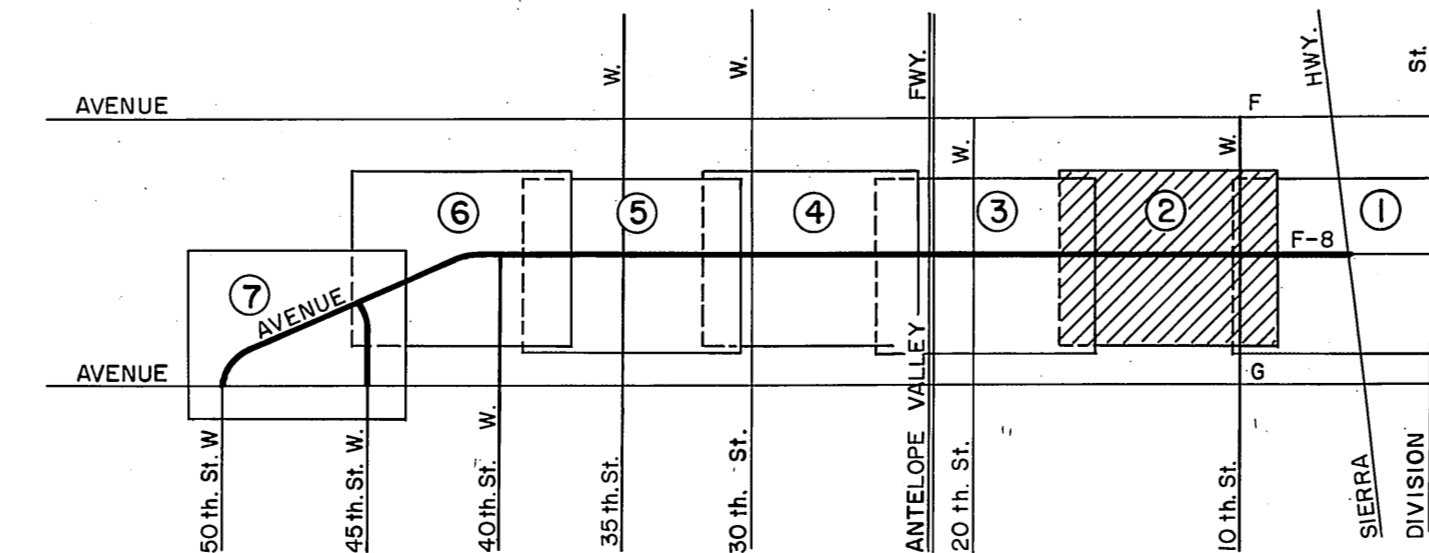
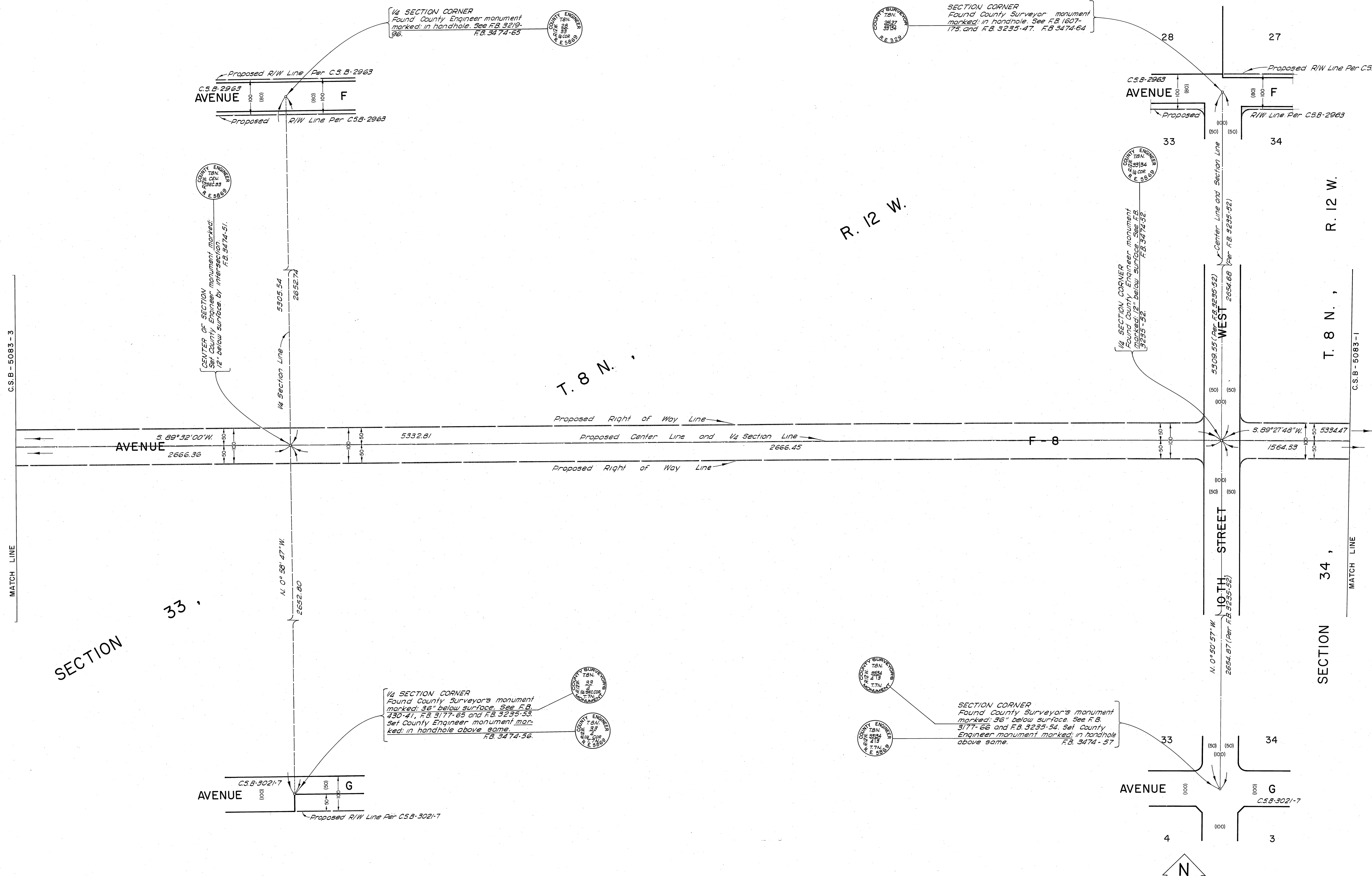
SECTION 34



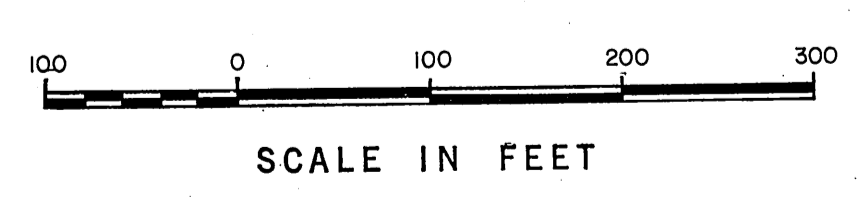
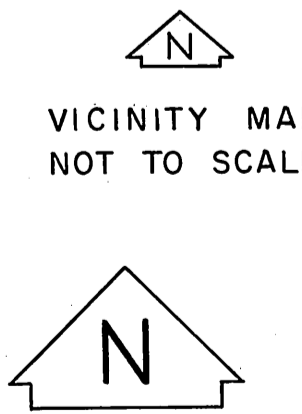
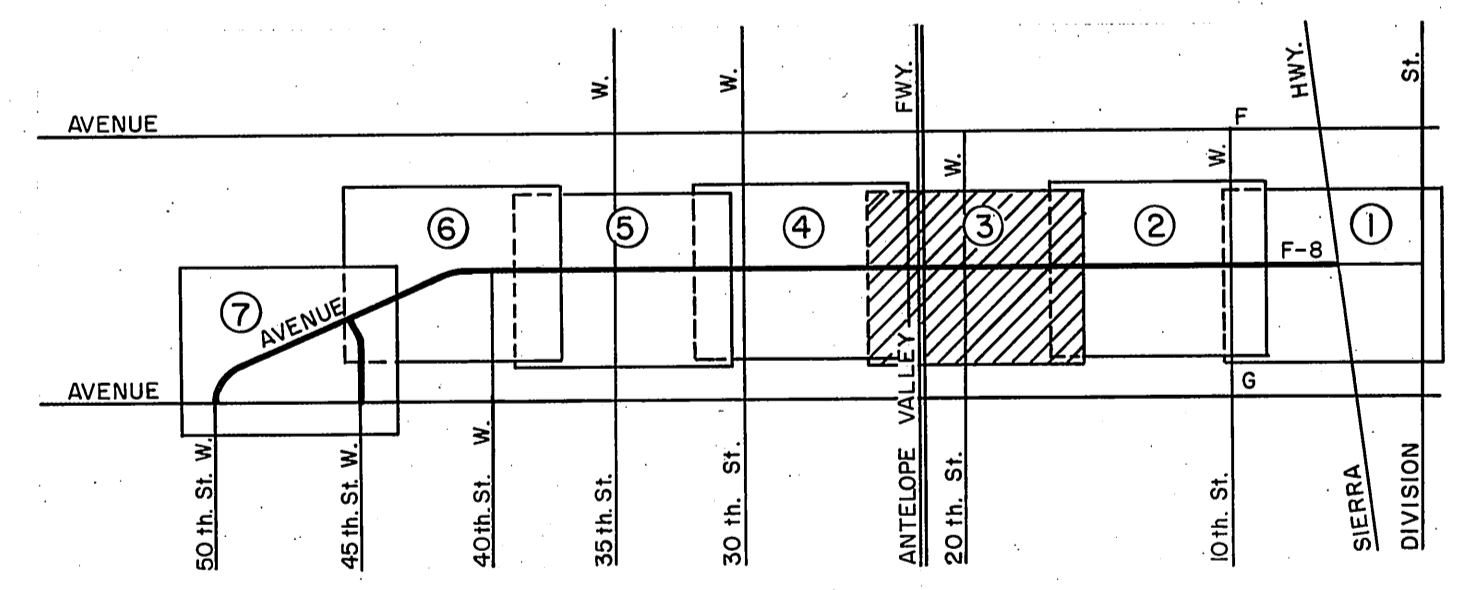
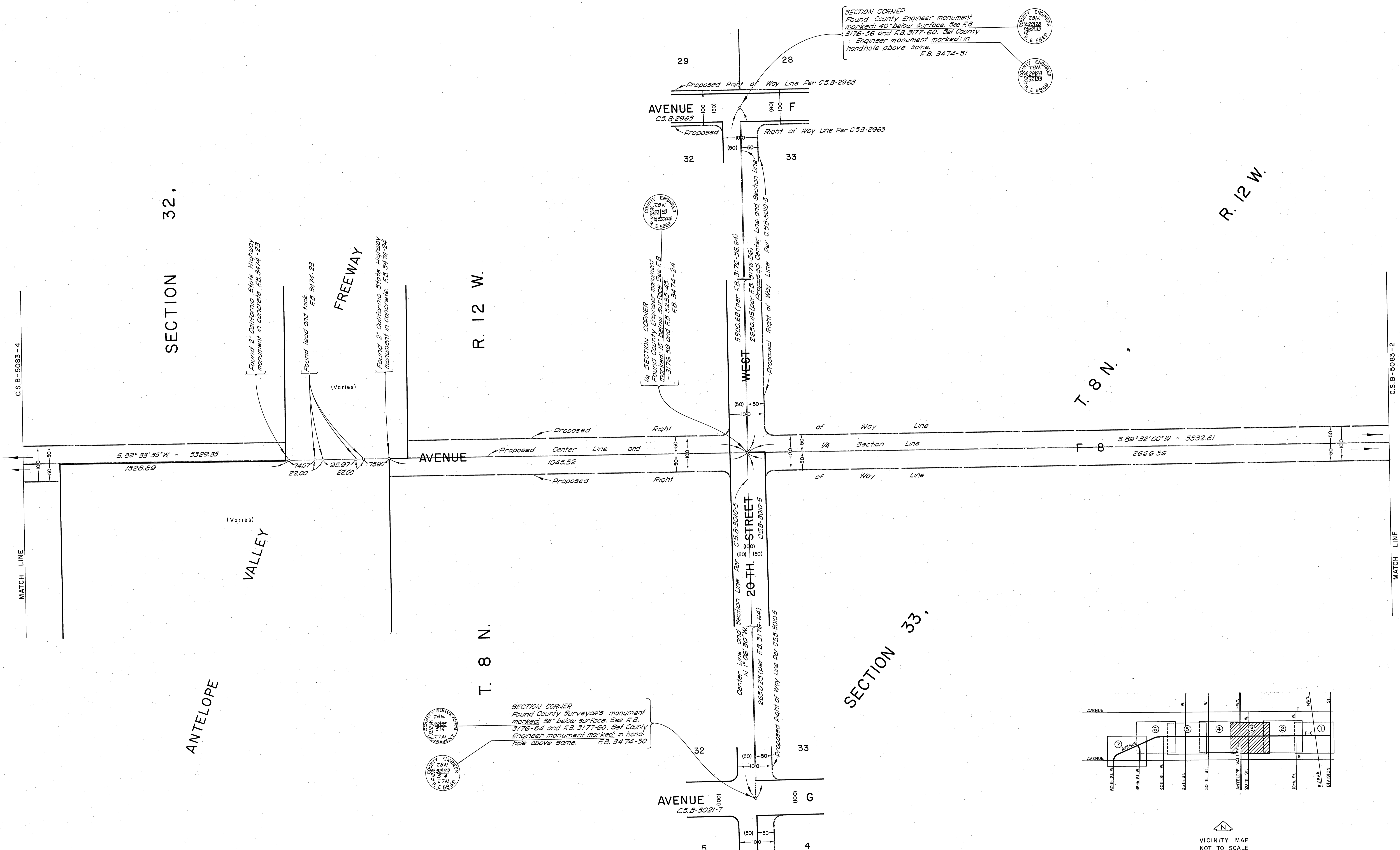
VICINITY MAP NOT TO SCALE



COUNTY OF LOS ANGELES DEPARTMENT OF COUNTY ENGINEER JOHN A. LAMBIE - COUNTY ENGINEER PREPARED BY SURVEY DIVISION L.H. ALEXANDER - DIVISION ENGINEER SURVEYED BY J.C. PIERCE CHECKED BY W.A. EDMONDSON DRAWN BY S. KURACHI	ALIGNMENT MAP OF AVENUE F-8 FROM SIERRA HIGHWAY TO AVENUE G AT 50 TH. STREET WEST		COUNTY SURVEYOR'S MAP NO. B-5083 SHEET 1 OF 7 SHEETS FILED: <i>J. Pierce</i> , 19 22 NOV., 1968 DEC., 1968 REFERENCE F.B. 3474	REVISION NO. BY DATE
	BASIS OF BEARINGS THE BEARING OF 20 TH. STREET WEST (S. 1° 06' 30" E.) AS SHOWN ON C.S.B-3010-5		JOB NUMBER 0037.87	INDEX MAP NO. 71
			COUNTY ENGINEER JOHN A. LAMBIE NOV. 22 1968 DEPUTY	
			COUNTY ENGINEER JOHN A. LAMBIE NOV. 22 1968 DEPUTY	



COUNTY OF LOS ANGELES DEPARTMENT OF COUNTY ENGINEER JOHN A. LAMBE - COUNTY ENGINEER PREPARED BY SURVEY DIVISION I. H. ALEXANDER - DIVISION ENGINEER SURVEYED BY J.C. PIERCE CHECKED BY W.A. EDMONDSON DRAWN BY S. KURACHI	ALIGNMENT MAP OF AVENUE F-8 FROM SIERRA HIGHWAY TO AVENUE G AT 50TH STREET WEST		COUNTY SURVEYOR'S MAP NO. B-5083	
	BASIS OF BEARINGS THE BEARING OF 20 TH. STREET WEST (S. 1° 06' 30" E.) AS SHOWN ON C.S.B-3010-5		SHEET 2 OF 7 SHEETS FILED: _____, 19____ SURVEYED NOV., 1968 - DEC., 1968 REFERENCE F.B. 3474	
			JOB NUMBER 0097.87	
			INDEX MAP NO. 71	



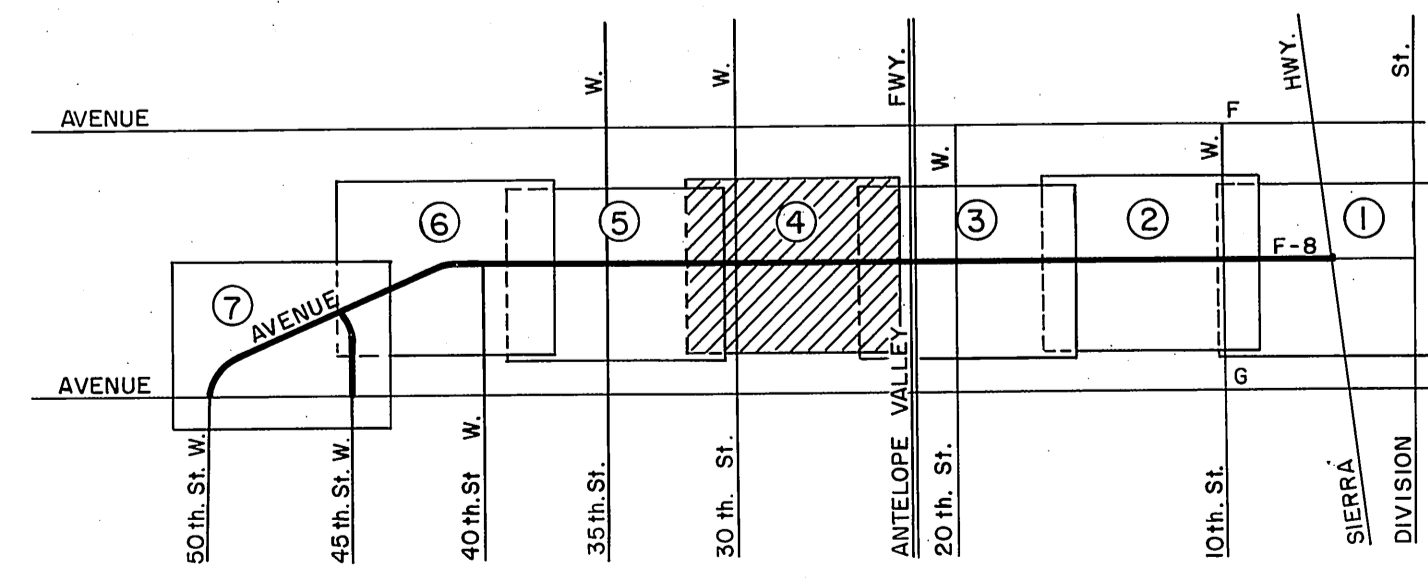
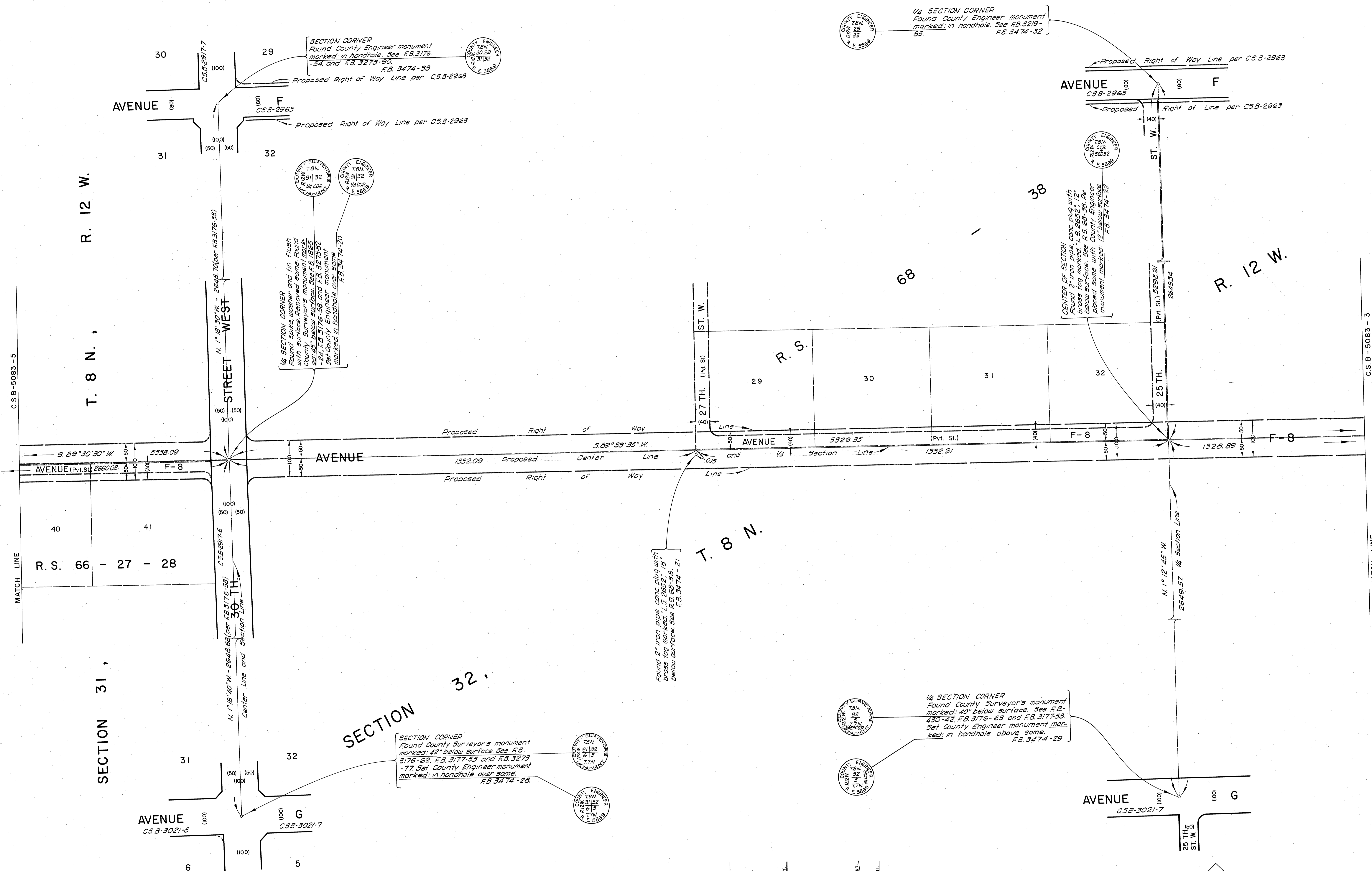
SECTION CORNER
 Found County Surveyor's monument
 marked: 36" below surface. See F.B.
 3176-64 and F.B. 3177-60. Set County
 Engineer monument marked: in hole
 above same. F.B. 3474-30

SECTION CORNER
 Found County Engineer monument
 marked: 40" below surface. See F.B.
 3176-56 and F.B. 3177-60. Set County
 Engineer monument marked: in
 handhole above same. F.B. 3474-31

1/4 SECTION CORNER
 Found County Engineer monument
 marked: 15" below surface. See F.B.
 3176-56 and F.B. 3177-60. Set County
 Engineer monument marked: in
 handhole above same. F.B. 3474-24

Found 2" California State Highway
 monument in concrete. F.B. 3474-25
 Found lead and lock. F.B. 3474-23
 (Varies)
 Found 2" California State Highway
 monument in concrete. F.B. 3474-24

COUNTY OF LOS ANGELES DEPARTMENT OF COUNTY ENGINEER JOHN A. LAMBE, COUNTY ENGINEER PREPARED BY SURVEY DIVISION L.H. ALEXANDER, DIVISION ENGINEER SURVEYED BY <u>J.C. PIERCE</u> CHECKED BY <u>W.A. EDMONDSON</u> DRAWN BY <u>S. KURACHI</u>	ALIGNMENT MAP OF AVENUE F-8 FROM SIERRA HIGHWAY TO AVENUE G AT 50TH STREET WEST BASIS OF BEARINGS THE BEARING OF 20 TH. STREET WEST (S. 1°06'30"E) AS SHOWN ON C.S.B-3010-5		COUNTY SURVEYOR'S MAP NO. B-5083 SHEET 3 OF 7 SHEETS FILED: _____ 19 28 <u>W.A. Edmondson</u> DEPUTY SURVEYED NOV. 1968 - DEC. 1968 REFERENCE F.B. 3474 JOB NUMBER 0097.87 INDEX MAP NO. 71	REVISION NO. BY DATE



VICINITY MAP NOT TO SCALE

ENGINEER
T.S.N.
3029
3176
E 5883

1/4 SECTION CORNER
Found County Engineer monument
marked in handhole. See F.B. 3219-
85, F.B. 3474-32

ENGINEER
T.S.N.
3029
3176
E 5883

CENTER OF SECTION
Found County Engineer monument
marked in handhole. See F.B. 3219-
85, F.B. 3474-32

ENGINEER
T.S.N.
3029
3176
E 5883

1/4 SECTION CORNER
Found County Engineer monument
marked in handhole. See F.B. 3219-
85, F.B. 3474-32

SURVEYOR
T.S.N.
3176
E 5883

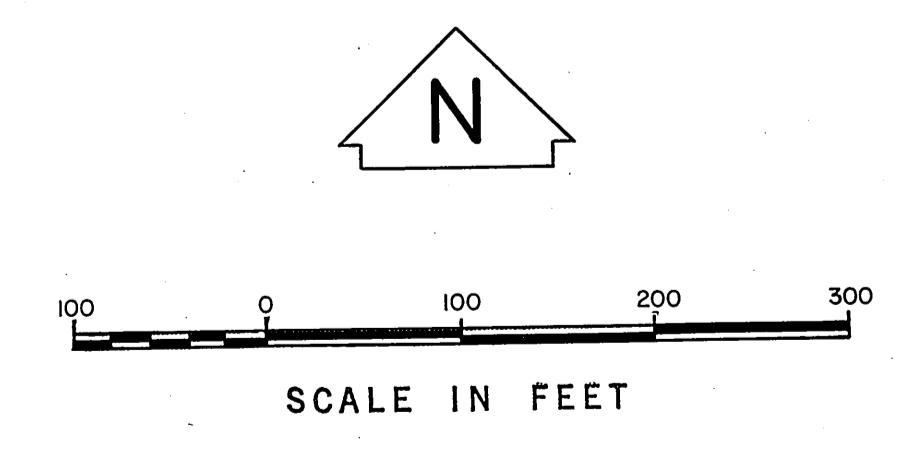
SECTION CORNER
Found County Surveyor's monument
marked 42' below surface. See F.B.
3176-62, F.B. 3177-55 and F.B. 3273-
77. Set County Engineer monument
marked in handhole over same.
F.B. 3474-28

ENGINEER
T.S.N.
3029
3176
E 5883

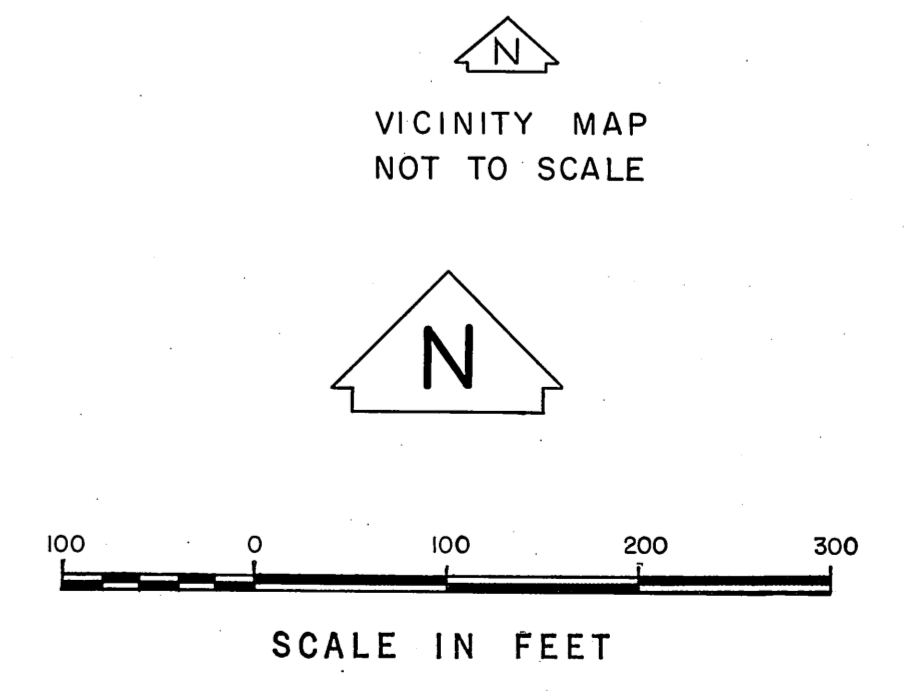
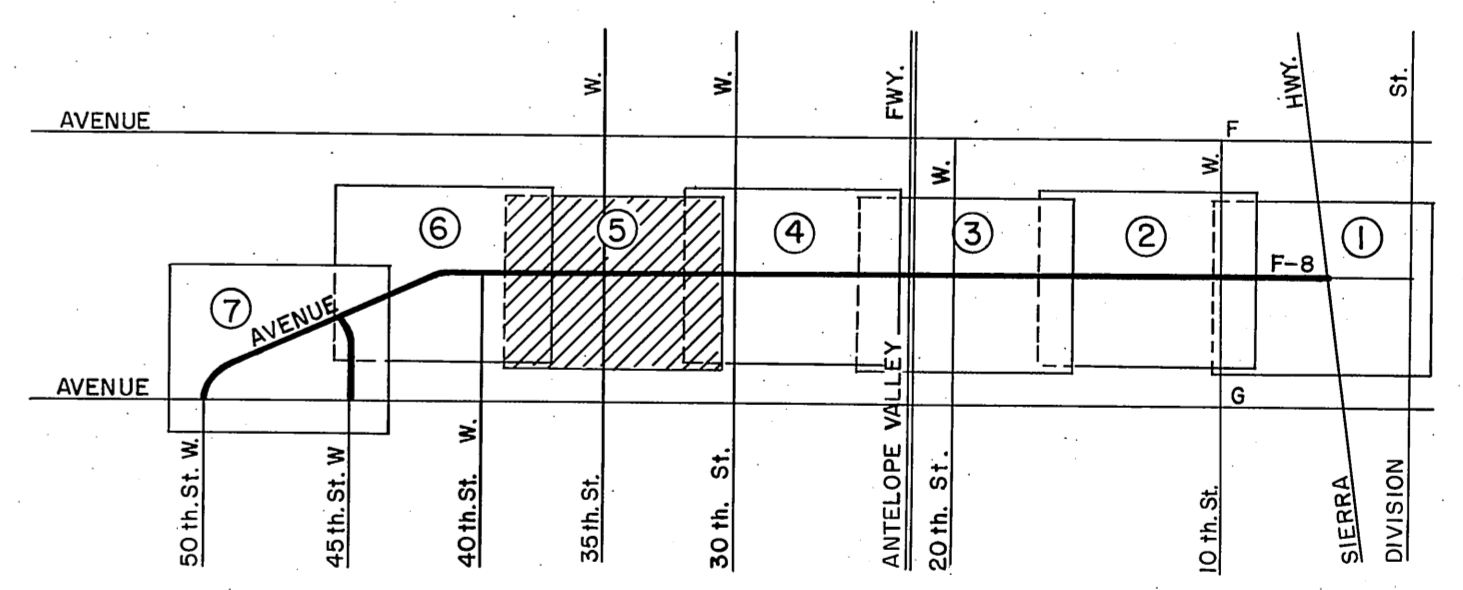
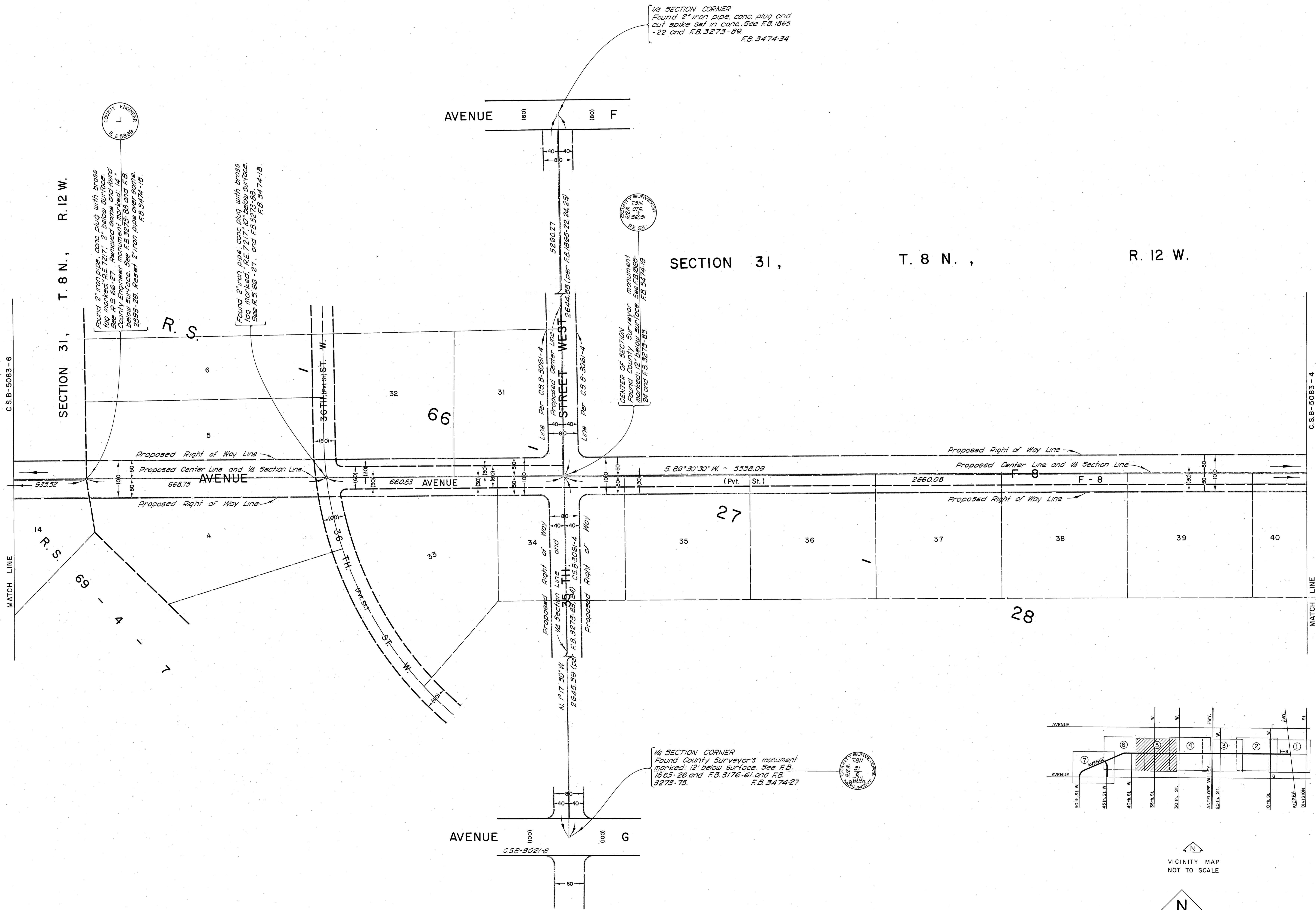
SURVEYOR
T.S.N.
3176
E 5883

1/4 SECTION CORNER
Found County Surveyor's monument
marked 40' below surface. See F.B.
430-42, F.B. 3176-63 and F.B. 3177-58.
Set County Engineer monument mar-
ked in handhole above same.
F.B. 3474-29

ENGINEER
T.S.N.
3029
3176
E 5883



COUNTY OF LOS ANGELES DEPARTMENT OF COUNTY ENGINEER JOHN A. LAMBIE - COUNTY ENGINEER PREPARED BY SURVEY DIVISION I.H. ALEXANDER - DIVISION ENGINEER SURVEYED BY J.C. PIERCE CHECKED BY W.A. EDMONDSON DRAWN BY S. KURACHI	ALIGNMENT MAP OF AVENUE F-8 FROM SIERRA HIGHWAY TO AVENUE G AT 50TH STREET WEST BASIS OF BEARINGS THE BEARING OF 20 TH. STREET WEST (S. 1° 06' 30" E) AS SHOWN ON C.S.B-3010-5.		COUNTY SURVEYOR'S MAP NO. B-5083 SHEET 4 OF 7 SHEETS FILED: _____ 19 20 DEPUTY SURVEYED NOV., 1968 - DEC., 1968 REFERENCE F.B. 3474 JOB NUMBER 0097.87 INDEX MAP NO. 71	REVISION NO. BY DATE



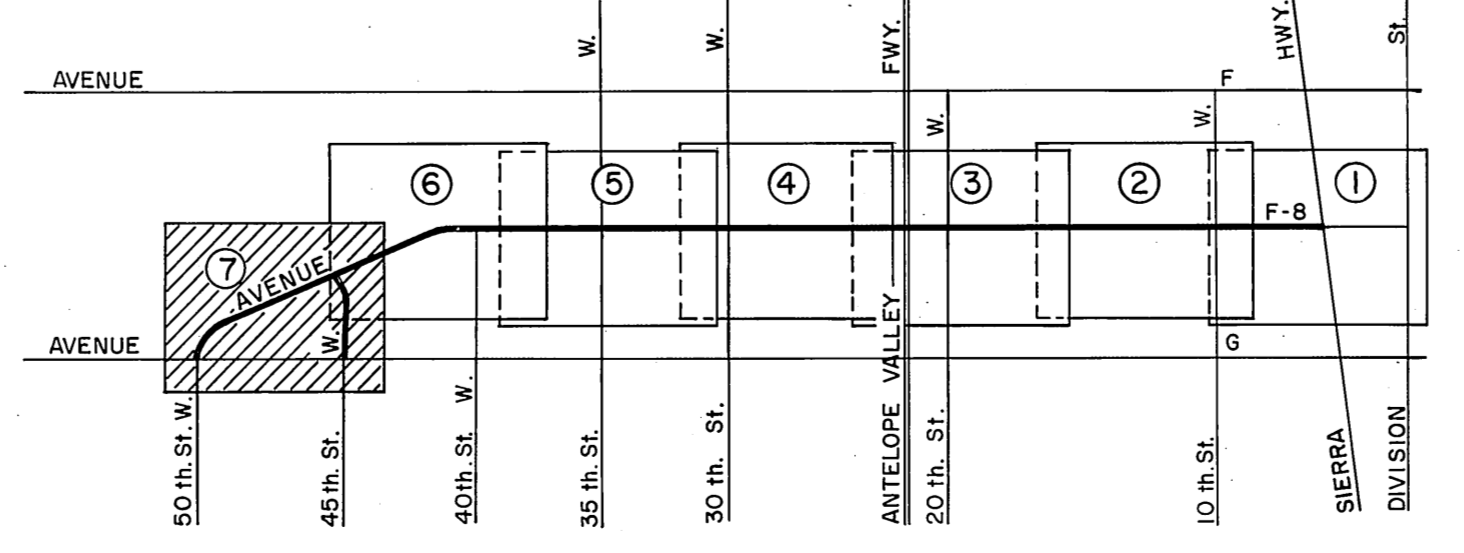
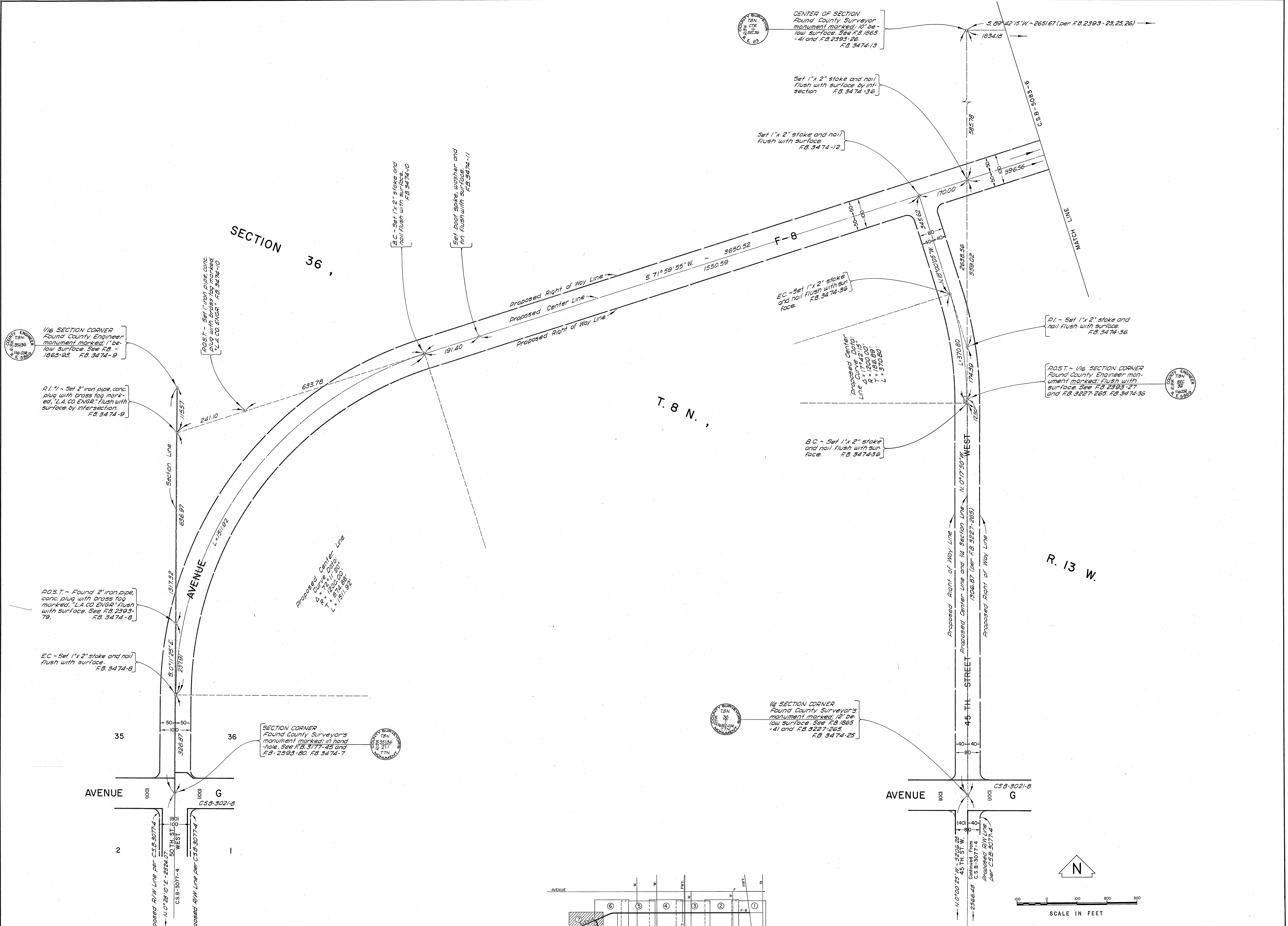
1/4 SECTION CORNER
 Found 2" iron pipe, conc. plug and
 cut spike set in conc. See F.B. 1865
 -22 and F.B. 3273-89.
 F.B. 3474-34

COUNTY SURVEYOR
 JOHN A. LAMBIE
 DEPARTMENT OF COUNTY ENGINEER
 SURVEY DIVISION
 141 ALEXANDER DIVISION ENGINEER
 SURVEYED BY J.C. PIERCE
 CHECKED BY W.A. EDMONDSON
 DRAWN BY S. KURACHI

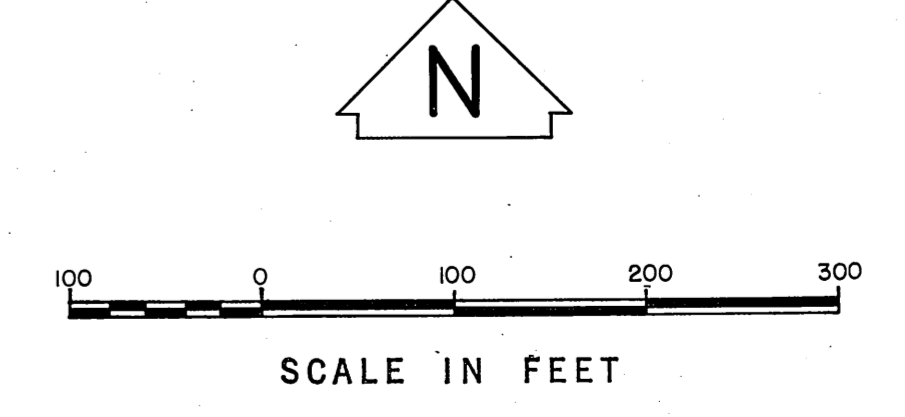
1/4 SECTION CORNER
 Found County Surveyor's monument
 marked 12" below surface. See F.B.
 1865-26 and F.B. 3176-61 and F.B.
 3273-75.
 F.B. 3474-27

COUNTY ENGINEER
 JOHN A. LAMBIE
 DEPARTMENT OF COUNTY ENGINEER
 SURVEY DIVISION
 141 ALEXANDER DIVISION ENGINEER
 SURVEYED BY J.C. PIERCE
 CHECKED BY W.A. EDMONDSON
 DRAWN BY S. KURACHI

COUNTY OF LOS ANGELES DEPARTMENT OF COUNTY ENGINEER JOHN A. LAMBIE - COUNTY ENGINEER PREPARED BY SURVEY DIVISION L.H. ALEXANDER - DIVISION ENGINEER SURVEYED BY J.C. PIERCE CHECKED BY W.A. EDMONDSON DRAWN BY S. KURACHI	ALIGNMENT MAP OF AVENUE F-8 FROM SIERRA HIGHWAY TO AVENUE G AT 50TH STREET WEST		COUNTY SURVEYOR'S MAP NO. B-5083 SHEET 5 OF 7 SHEETS FILED: <i>Jan 1, 1972</i> DEPUTY SURVEYED NOV. 1968 - DEC. 1968 REFERENCE F.B. 3474	REVISION NO. BY DATE
	BASIS OF BEARINGS THE BEARING OF 20 TH. STREET WEST (S. 1° 06' 30" E) AS SHOWN ON C.S.B-3010-5		JOB NUMBER 0097.87	INDEX MAP NO. 71



VICINITY MAP
NOT TO SCALE



COUNTY OF LOS ANGELES DEPARTMENT OF COUNTY ENGINEER JOHN A. LAMBIE - COUNTY ENGINEER PREPARED BY SURVEY DIVISION I.H. ALEXANDER - DIVISION ENGINEER SURVEYED BY - J.C. PIERCE CHECKED BY - W.A. EDMONDSON DRAWN BY - S. KURACHI	ALIGNMENT MAP OF AVENUE F-8 FROM SIERRA HIGHWAY TO AVENUE G AT 50TH ST. WEST 45TH STREET WEST FROM AVENUE G TO AVENUE F-8 BASIS OF BEARINGS THE BEARING OF 20 TH STREET WEST (S. 1°06'30"E) AS SHOWN ON C.S.B-3010-5	COUNTY SURVEYOR'S MAP NO. B-5083 SHEET 7 OF 7 SHEETS FILED: _____, 19____ DEPUTY SURVEYED NOV., 1968 - DEC., 1968 REFERENCE F.B. 3474 JOB NUMBER 0096.78, 0097.87 INDEX MAP NO. 71	REVISION NO. BY DATE