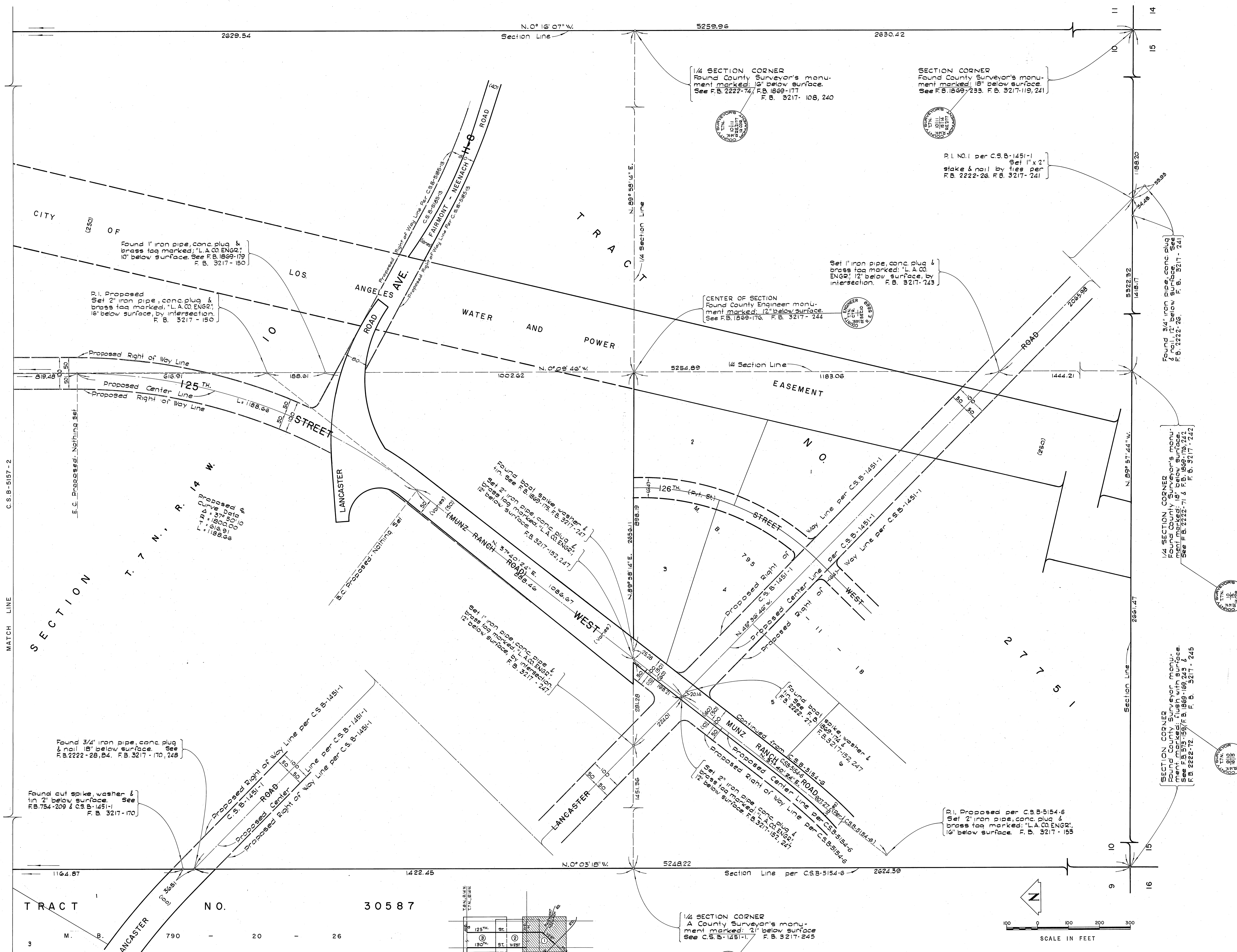


C.S.B-2125-1



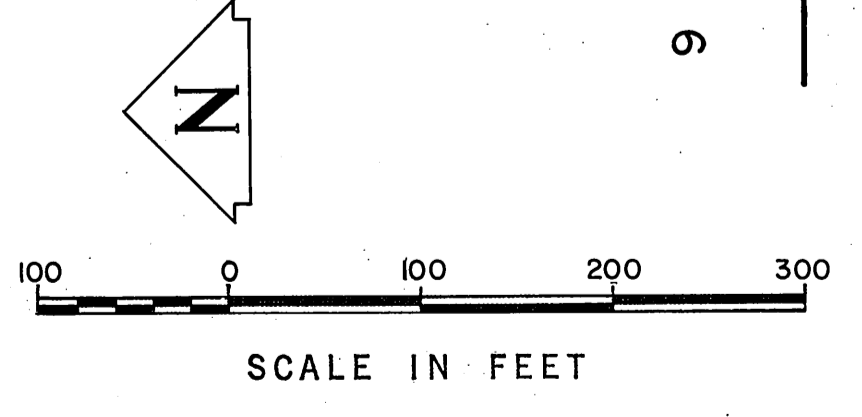
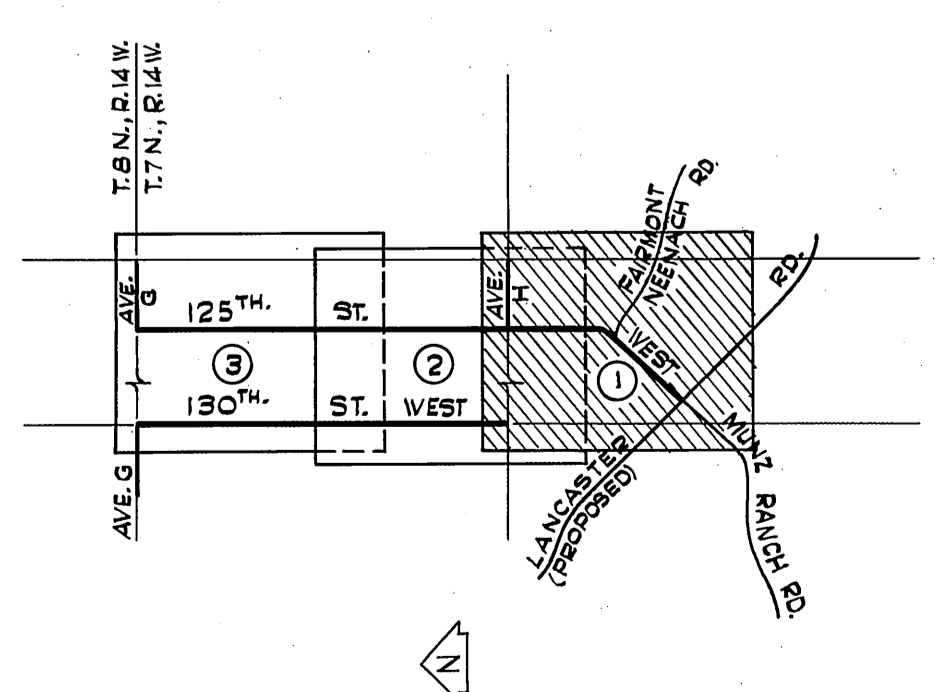
MATCH LINE

SECTION T. 7 N., R. 14 W.

Proposed Right of Way Line
 Proposed Center Line
 Proposed Right of Way Line

Found 3/4" iron pipe, conc. plug & nail 18" below surface. See F.B. 2222-28, 84, F.B. 3217-170, 248.

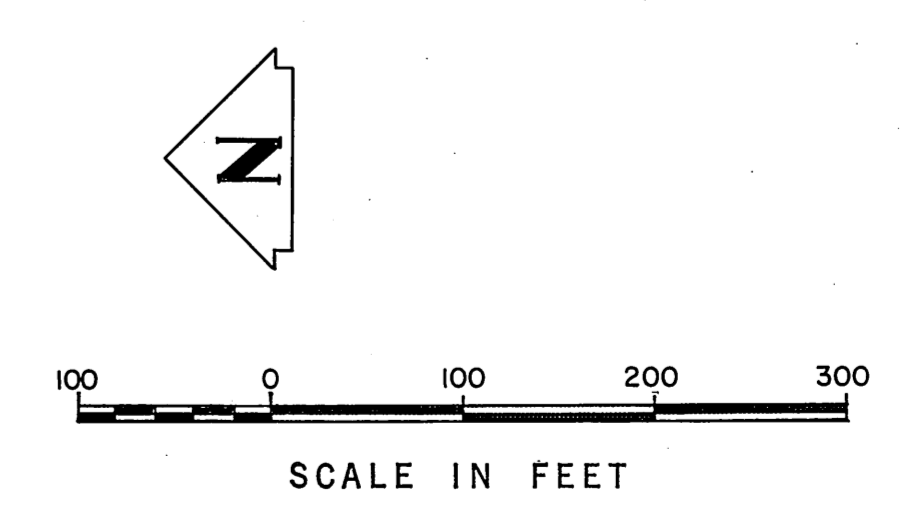
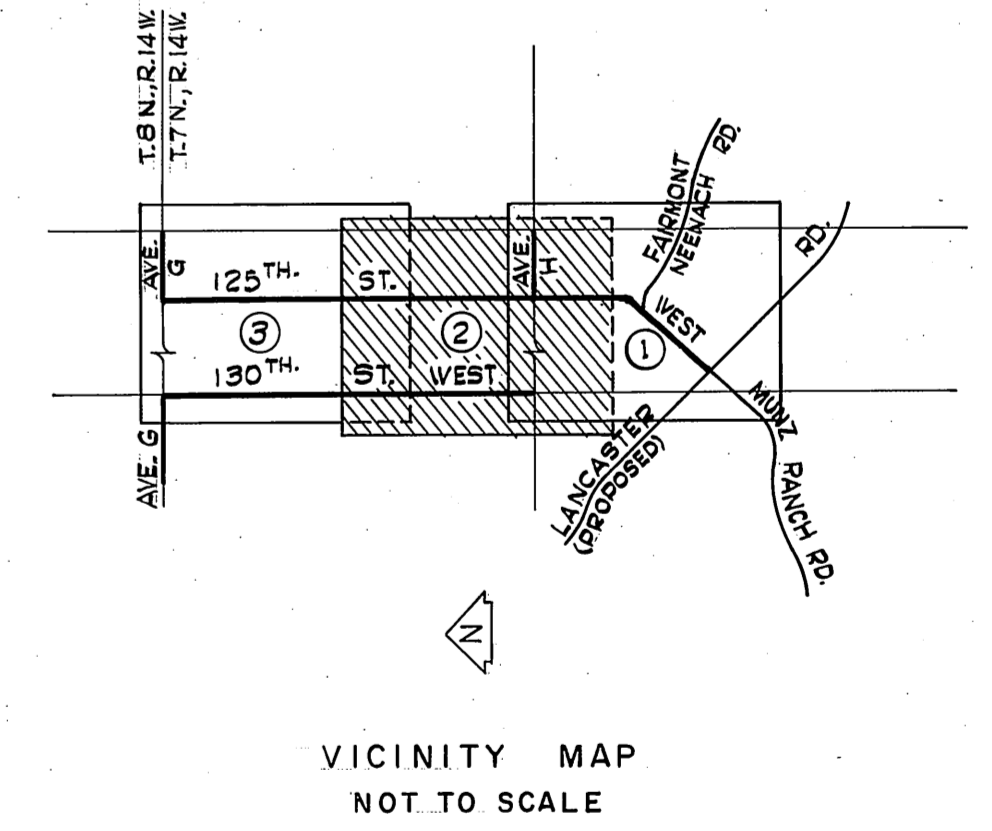
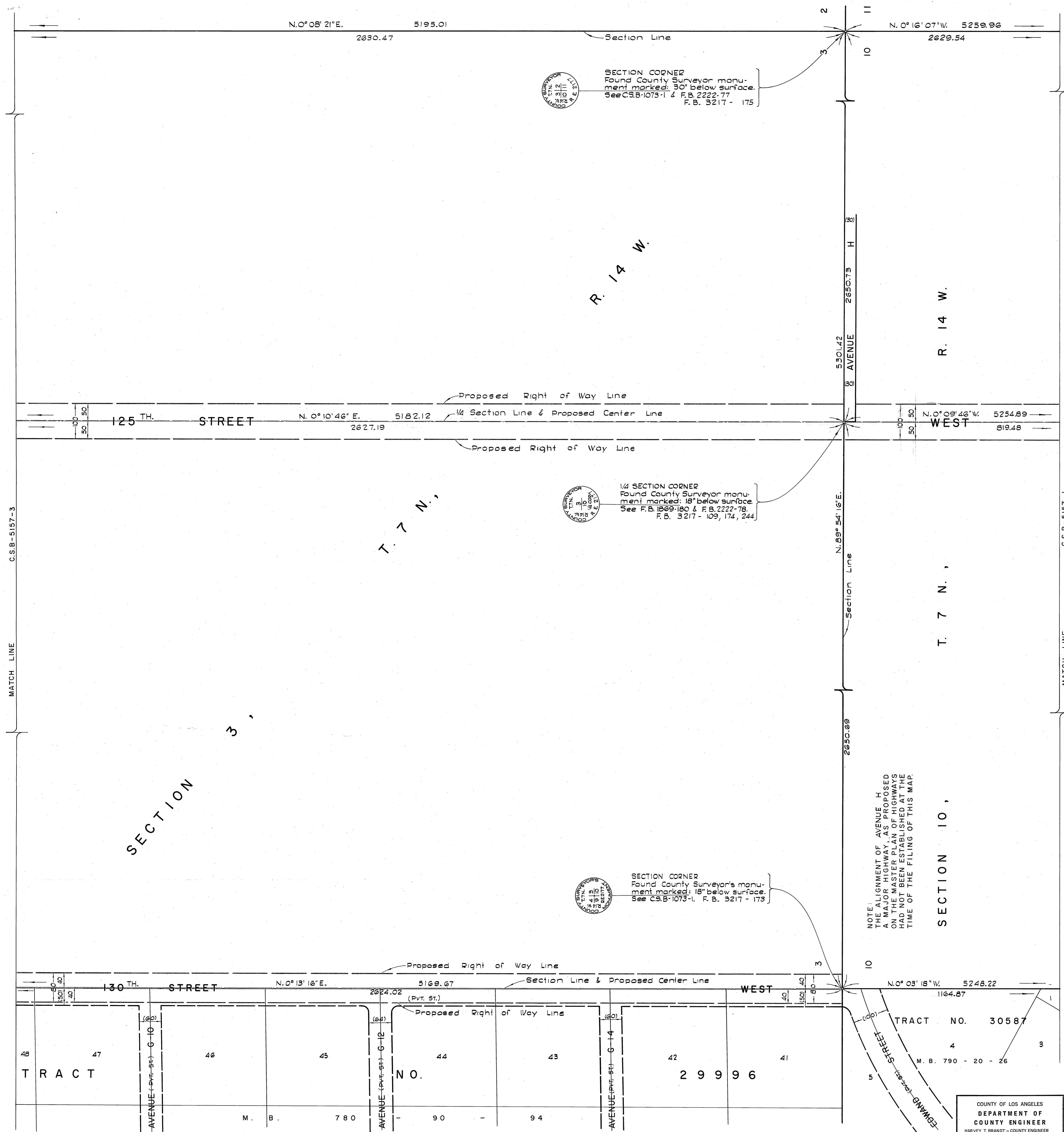
Found out spike, washer & 1/2" iron pipe, conc. plug & brass tag marked "L.A. CO. ENG2, 10" below surface. See F.B. 734-209 & C.S.B-1451-1, F.B. 3217-170.



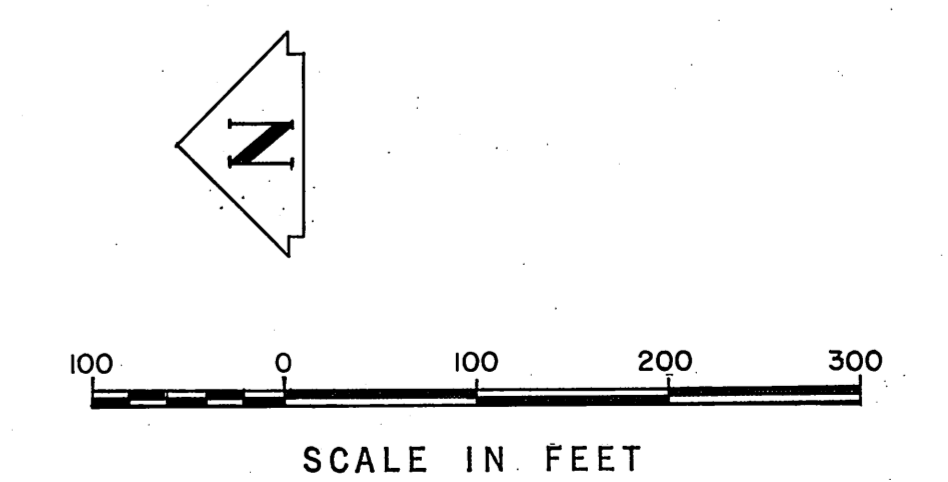
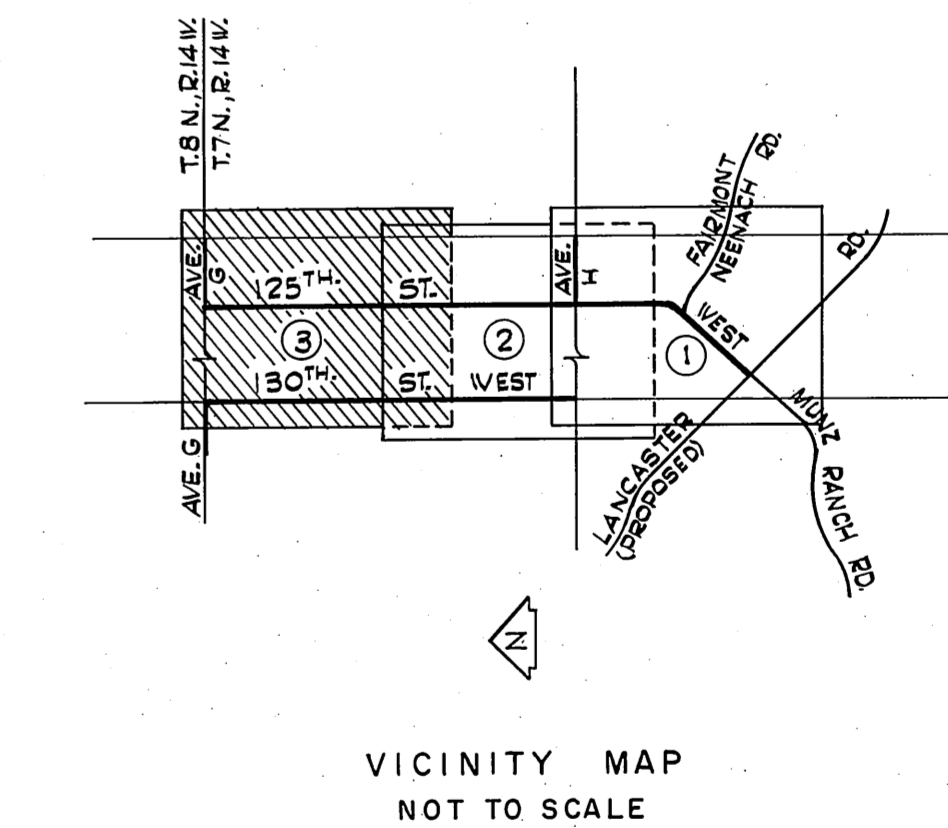
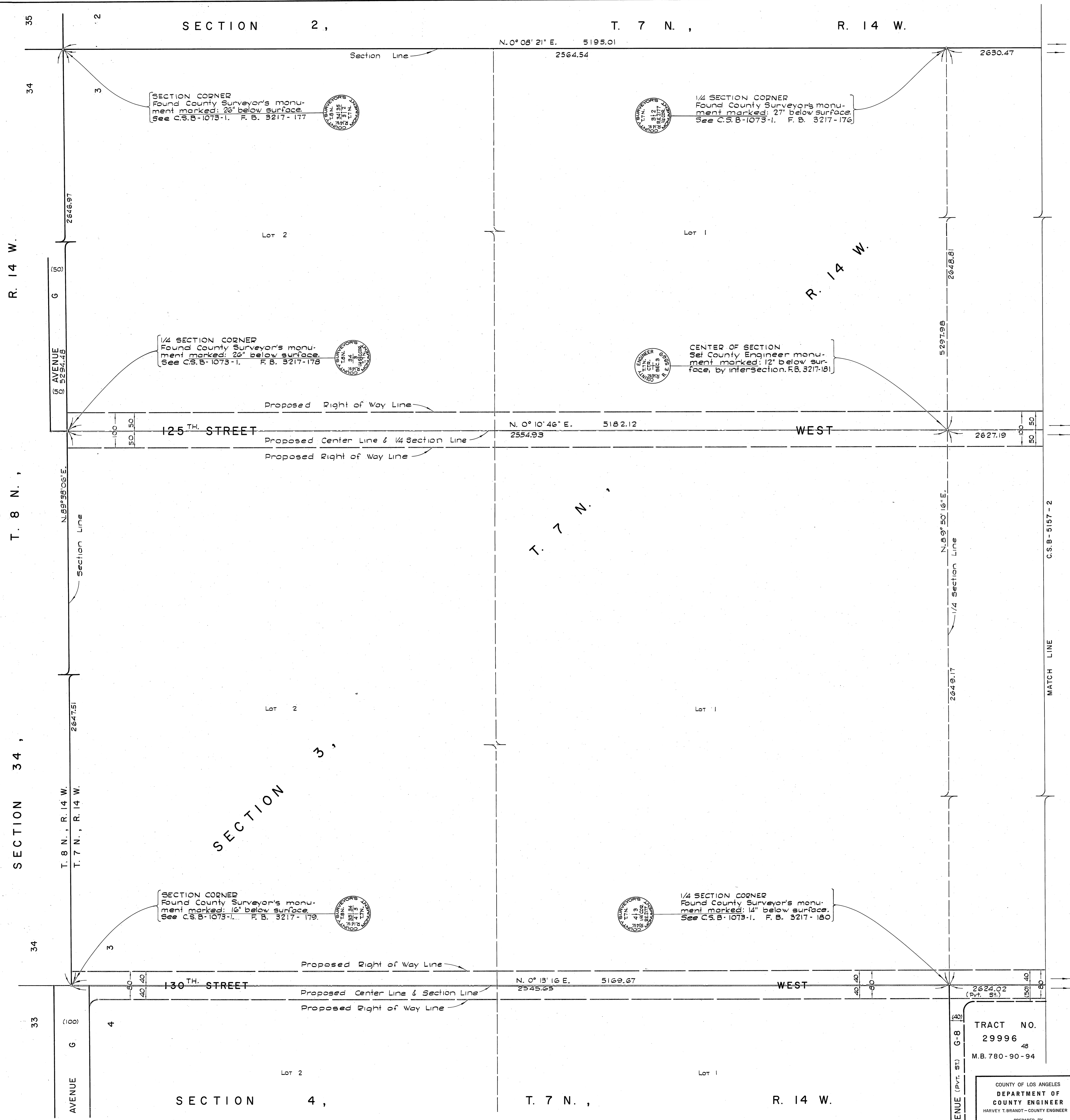
REVISIONS:
 (1) Proposed Right of way Lines for Avenue H-B added per C.S.B-5185-13.

COUNTY OF LOS ANGELES DEPARTMENT OF COUNTY ENGINEER HARVEY T. BRANDT - COUNTY ENGINEER PREPARED BY SURVEY DIVISION GEORGE J. FRANCESCHINI - DIVISION ENGINEER SURVEYED BY J. S. COATS CHECKED BY J. CAVATOLA, M. HOLMAN DRAWN BY T. ABE, J. S. KURACHI	ALIGNMENT MAP OF 125 TH. STREET WEST FROM LANCASTER ROAD TO AVENUE G		COUNTY SURVEYOR'S MAP NO. B-5157 SHEET 1 OF 3 SHEETS FILED: <i>[Signature]</i> 1972 SURVEYED DEC., 1970 REFERENCE F. B. 3217-165-181, 240-248	REVISION NO. BY DATE (1) C.E.M. 5-20-74
	BASIS OF BEARINGS THE WEST LINE OF SECTION 10, T. 7 N., R. 14 W. (N. 0° 03' 18" W.) AS SHOWN ON C.S.B-5154-6			JOB NUMBER 008736 009831
				INDEX MAP NO. 72

C.S.B-2125-1



COUNTY OF LOS ANGELES DEPARTMENT OF COUNTY ENGINEER HARVEY T. BRANDT - COUNTY ENGINEER PREPARED BY SURVEY DIVISION GEORGE J. FRANCESCHINI - DIVISION ENGINEER SURVEYED BY J.S. COATS CHECKED BY J. GAVATAIO, H. HOLLMAN DRAWN BY T. ABE, S. KURACHI	ALIGNMENT MAP OF 125 TH. STREET WEST FROM LANCASTER ROAD TO AVENUE G 130 TH. STREET WEST FROM AVENUE H TO AVENUE G BASIS OF BEARINGS THE WEST LINE OF SECTION 10, T. 7 N., R. 14 W. (N. 0° 03' 18" W.) AS SHOWN ON C.S.B-5154-6		COUNTY SURVEYOR'S MAP NO. B-5157 SHEET 2 OF 3 SHEETS FILED: <i>February 16, 1977</i> DEPUTY SURVEYED DEC., 1970 REFERENCE F.B. 3217-165-181, 240-248 JOB NUMBER 009796 009831	REVISION NO. BY DATE
	TRACT NO. 30587 M. B. 790 - 20 - 26		NO. BY DATE	
	SECTION 10, T. 7 N., R. 14 W.		NO. BY DATE	
	SECTION 3, T. 7 N., R. 14 W.		NO. BY DATE	



TRACT NO.
29996
48
M.B. 780-90-94
AVENUE (Pvt. St.) G-8

COUNTY OF LOS ANGELES
DEPARTMENT OF
COUNTY ENGINEER
HARVEY T. BRANDT - COUNTY ENGINEER
PREPARED BY
SURVEY DIVISION
GEORGE J. FRANCESCHINI - DIVISION ENGINEER
SURVEYED BY - J. S. COATS
CHECKED BY J. CAVATAIO, H. HOLMAN
DRAWN BY T. ABE, S. KURACHI

ALIGNMENT MAP OF
125 TH. STREET WEST
FROM
LANCASTER ROAD TO AVENUE G
130 TH. STREET WEST
FROM
AVENUE H TO AVENUE G
BASIS OF BEARINGS
THE WEST LINE OF SECTION 10, T. 7 N., R. 14 W.
(N. 0° 03' 18" W.) AS SHOWN ON C.S.B-5154-6

COUNTY SURVEYOR'S MAP NO. B-5157		REVISION NO. BY DATE
SHEET 3 OF 3 SHEETS		
FILED: <i>Harvey T. Brandt</i> 12 19 72 <i>J. S. Coats</i> DEPUTY		
SURVEYED DEC., 1970		
REFERENCE F. B. 3217-165-181, 240-248		
JOB NUMBER 008786 008831	INDEX MAP NO. 76	