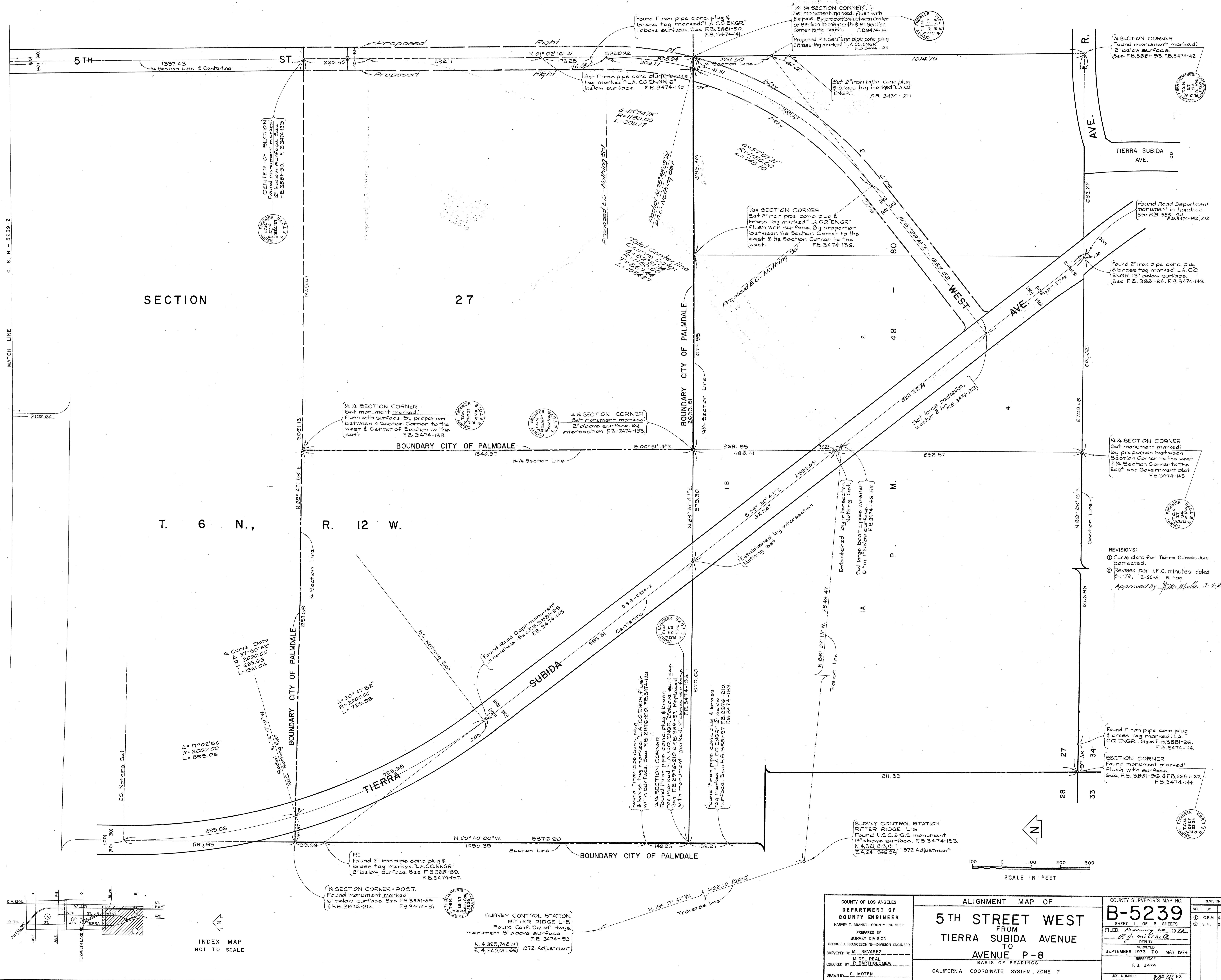


MATCH LINE

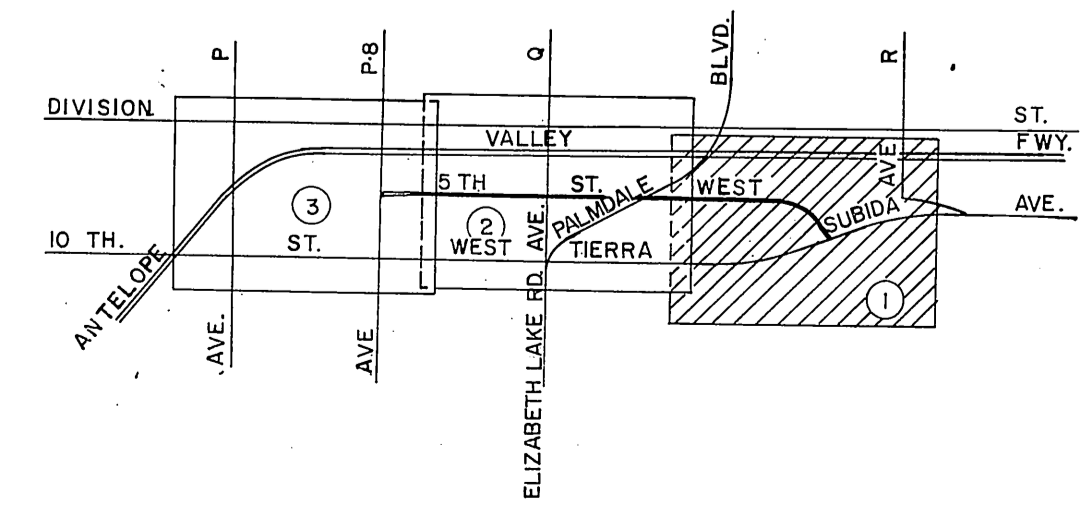
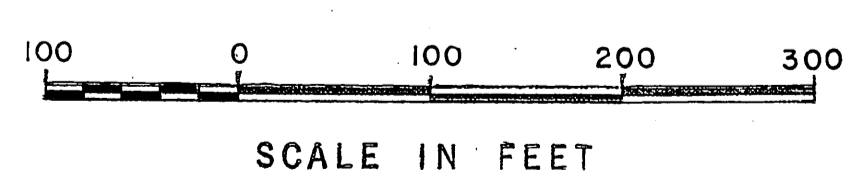
C. S. B. - 5239 - 2

SECTION 27

T. 6 N., R. 12 W.



REVISIONS:  
 ① Curve data for Tierra Subida Ave. corrected.  
 ② Revised per I.E.C. minutes dated 9-1-79, 2-26-81 S. Hag.  
 Approved by *[Signature]* 3-4-81



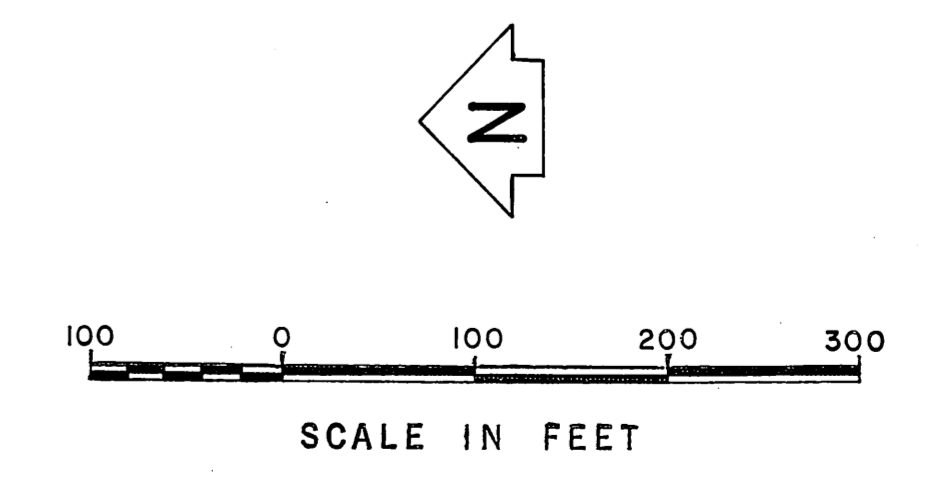
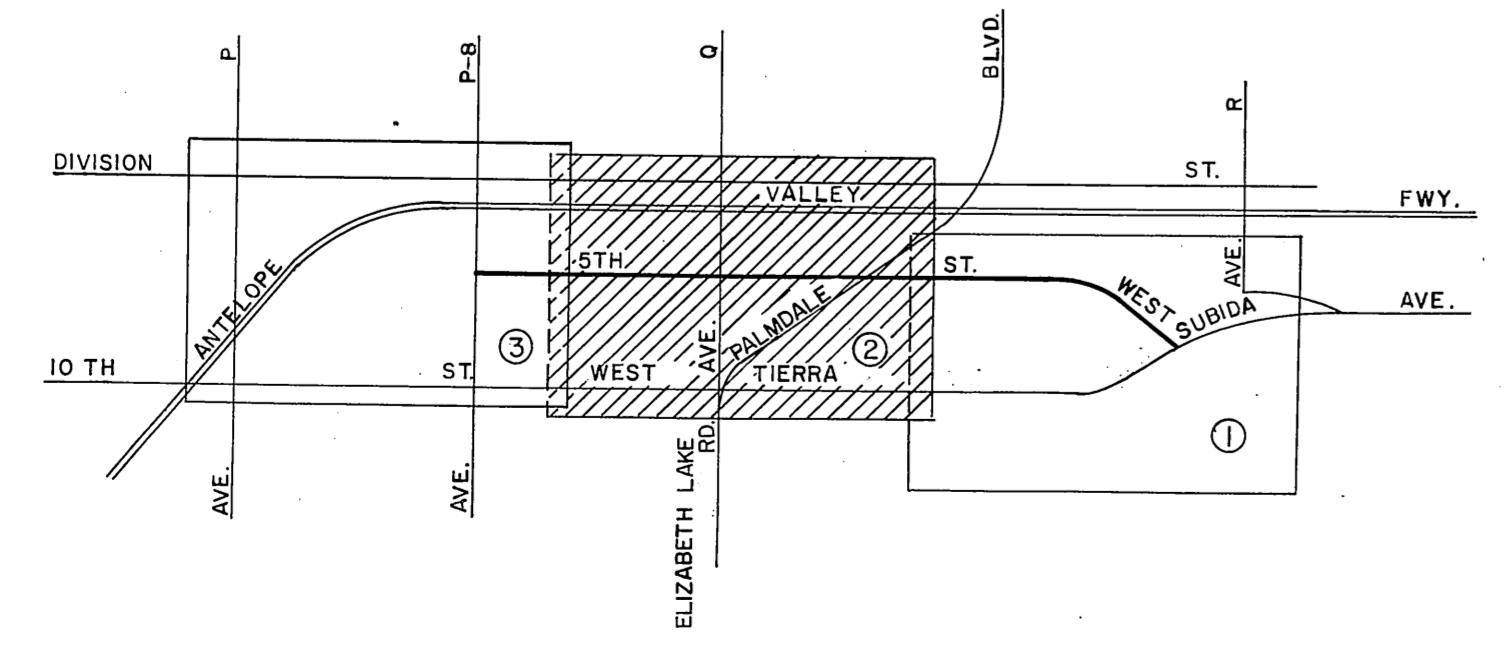
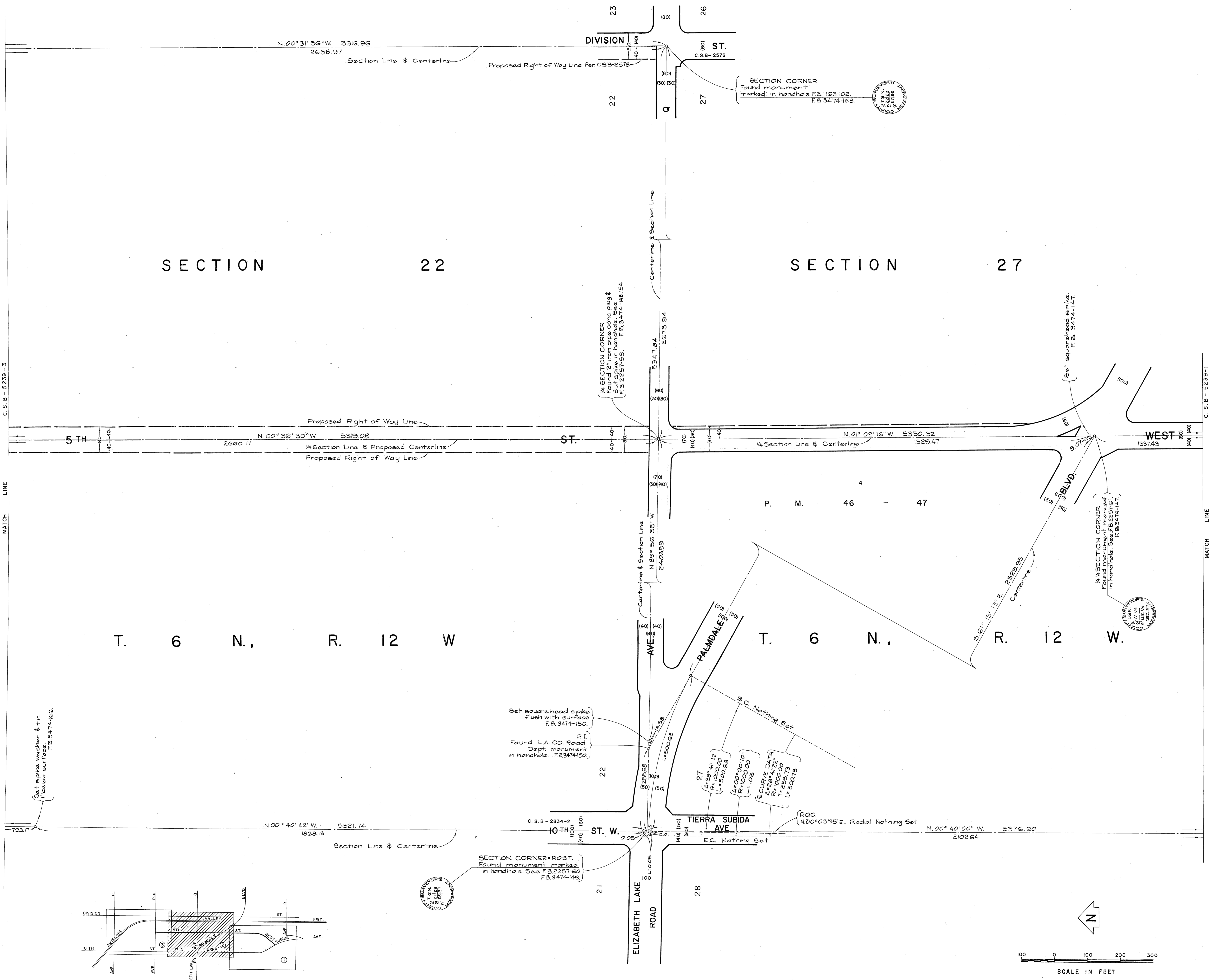
INDEX MAP NOT TO SCALE

SURVEY CONTROL STATION  
 RITTER RIDGE L-5  
 Found Calif. Div. of Highways monument 3' above surface.  
 F.B. 3474-153  
 N. 4.325.742.13  
 E. 4.240.011.66  
 1972 Adjustment

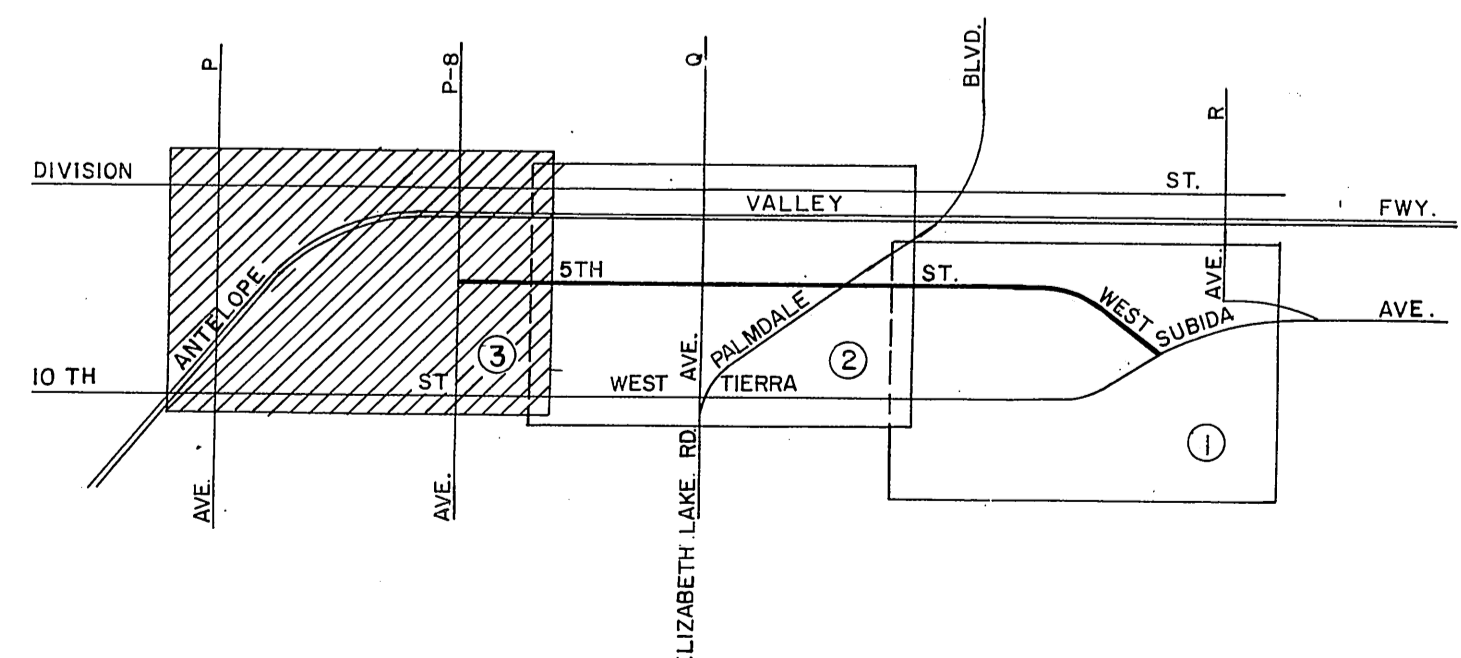
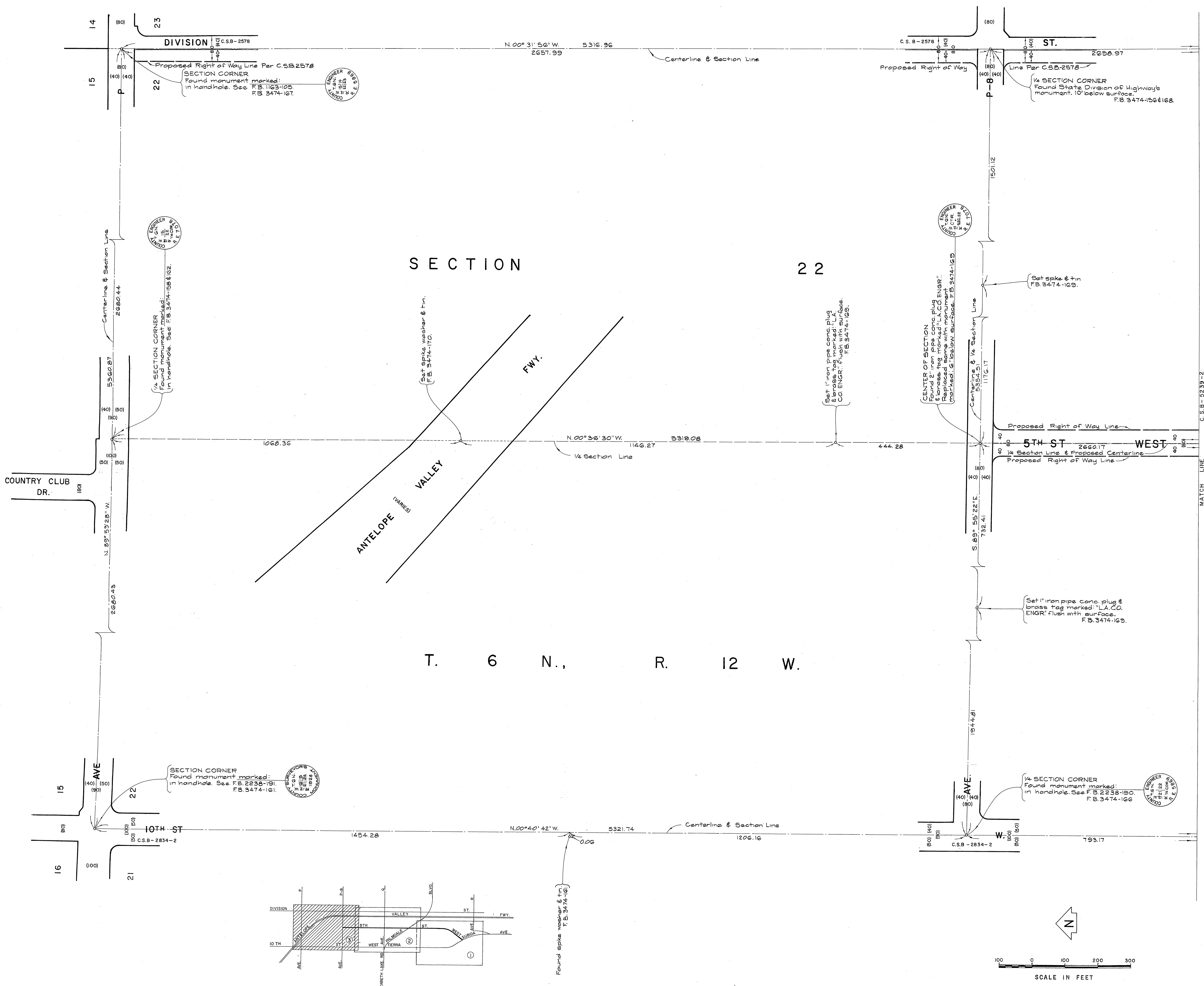
COUNTY OF LOS ANGELES  
 DEPARTMENT OF COUNTY ENGINEER  
 HARVEY T. BRANDT—COUNTY ENGINEER  
 PREPARED BY SURVEY DIVISION  
 GEORGE J. FRANCISCHINI—DIVISION ENGINEER  
 SURVEYED BY M. NEVAREZ  
 CHECKED BY R. DEL REAL  
 DRAWN BY C. MOTEN

ALIGNMENT MAP OF  
**5TH STREET WEST**  
 FROM  
**TIERRA SUBIDA AVENUE**  
 TO  
**AVENUE P-8**  
 BASIS OF BEARINGS  
 CALIFORNIA COORDINATE SYSTEM, ZONE 7

COUNTY SURVEYOR'S MAP NO. <b>B-5239</b>		REVISION	
SHEET 1 OF 3 SHEETS		NO.	DATE
FILED: <i>[Signature]</i> 1975		①	C.E.M. 4-28-75
DEPUTY SURVEYOR		②	S.H. 2-26-81
SEPTEMBER 1973 TO MAY 1974			
REFERENCE F.B. 3474			
JOB NUMBER 0098.49	INDEX MAP NO. 324-237		



COUNTY OF LOS ANGELES DEPARTMENT OF COUNTY ENGINEER HARVEY T. BRANDT—COUNTY ENGINEER PREPARED BY SURVEY DIVISION GEORGE J. FRANCESCINI—DIVISION ENGINEER SURVEYED BY M. NEVAREZ CHECKED BY R. BARTHOLOMEW DRAWN BY C. MOTEN	ALIGNMENT MAP OF <b>5TH STREET WEST</b> FROM <b>TIERRA SUBIDA AVENUE</b> TO <b>AVENUE P-8</b> BASIS OF BEARINGS CALIFORNIA COORDINATE SYSTEM, ZONE 7		COUNTY SURVEYOR'S MAP NO. <b>B-5239</b> SHEET 2 OF 3 SHEETS FILED: February 10, 1973 R. J. McCall DEPUTY SURVEYED 1973 TO MAY 1974 REFERENCE F.B. 3474 JOB NUMBER 0098-49 INDEX MAP NO. 324-237	REVISION NO. BY DATE



INDEX MAP NOT TO SCALE

COUNTY OF LOS ANGELES <b>DEPARTMENT OF COUNTY ENGINEER</b> HARVEY T. BRANDT—COUNTY ENGINEER PREPARED BY SURVEY DIVISION GEORGE J. FRANCISCHINI—DIVISION ENGINEER SURVEYED BY M. NEVAREZ M. DEL REAL R. BARTHOLOMEW CHECKED BY DRAWN BY C. MOTEN	ALIGNMENT MAP OF <b>5TH STREET WEST</b> FROM <b>TERRA SUBIDA AVENUE</b> TO <b>AVENUE P-8</b> BASIS OF BEARINGS CALIFORNIA COORDINATE SYSTEM, ZONE 7		COUNTY SURVEYOR'S MAP NO. <b>B-5239</b> SHEET 3 OF 3 SHEETS FILED: February 10, 1975 B. J. [Signature] DEPUTY SURVEYED SEPTEMBER 1973 TO MAY 1974 REFERENCE F.B. 3474 JOB NUMBER 0098-49 INDEX MAP NO. 324-237	REVISION NO. BY DATE