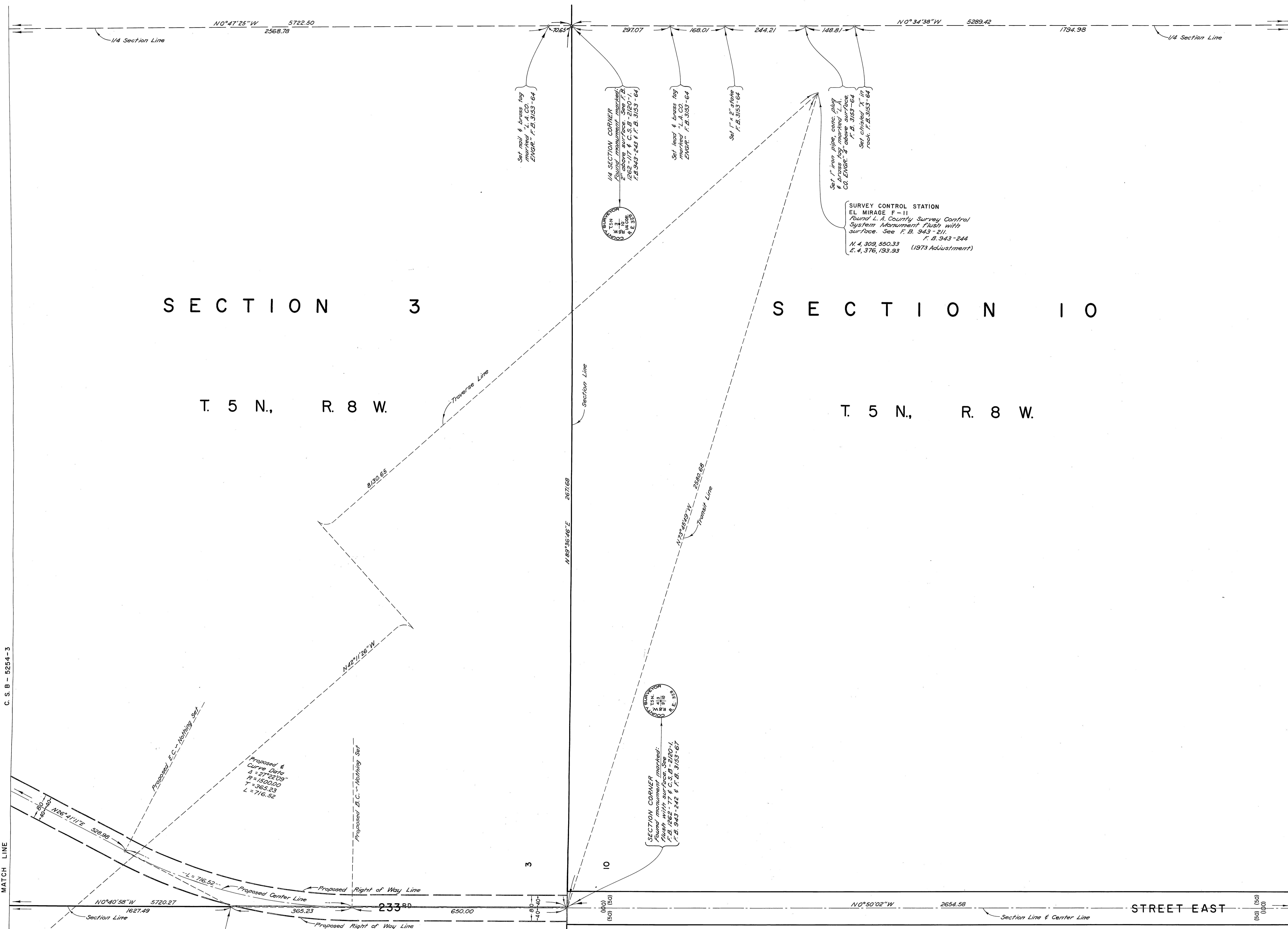


COUNTY OF LOS ANGELES DEPARTMENT OF COUNTY ENGINEER HARVEY T. BRANDT—COUNTY ENGINEER PREPARED BY SURVEY DIVISION GEORGE J. FRANCISCHINI—DIVISION ENGINEER SURVEYED BY J. S. COATES CHECKED BY S. D. BAILEY DRAWN BY J. F. MERRILL	ALIGNMENT MAP OF 233RD - 235TH STREET EAST FROM AVENUE U TO AVENUE S		COUNTY SURVEYOR'S MAP NO. B-5254 SHEET 1 OF 3 SHEETS FILED: <u>June 28, 1976</u> <i>R. J. Mitchell</i> DEPUTY SURVEYED NOV. - DEC. 1970 REFERENCE F. B. 3153		REVISION NO. BY DATE
	BASIS OF BEARINGS CALIFORNIA COORDINATE SYSTEM, ZONE 7			JOB NUMBER 0098.05	INDEX MAP NO. 67
	COUNTY SURVEYOR'S MAP NO. B-5254				
	SHEET 1 OF 3 SHEETS				

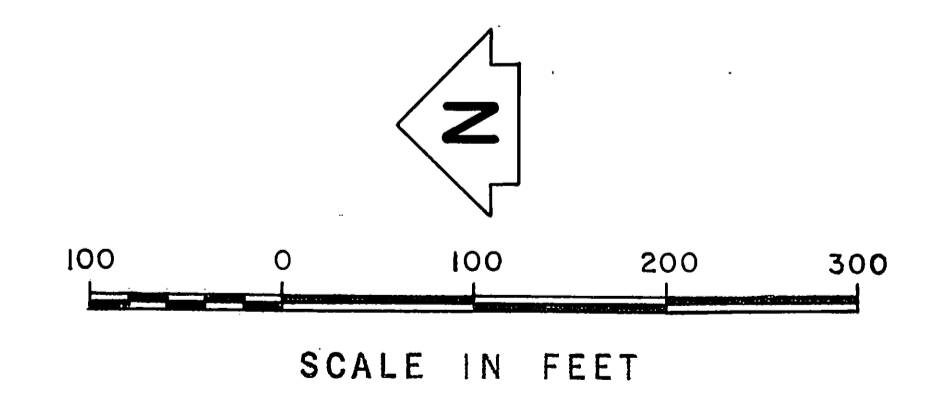
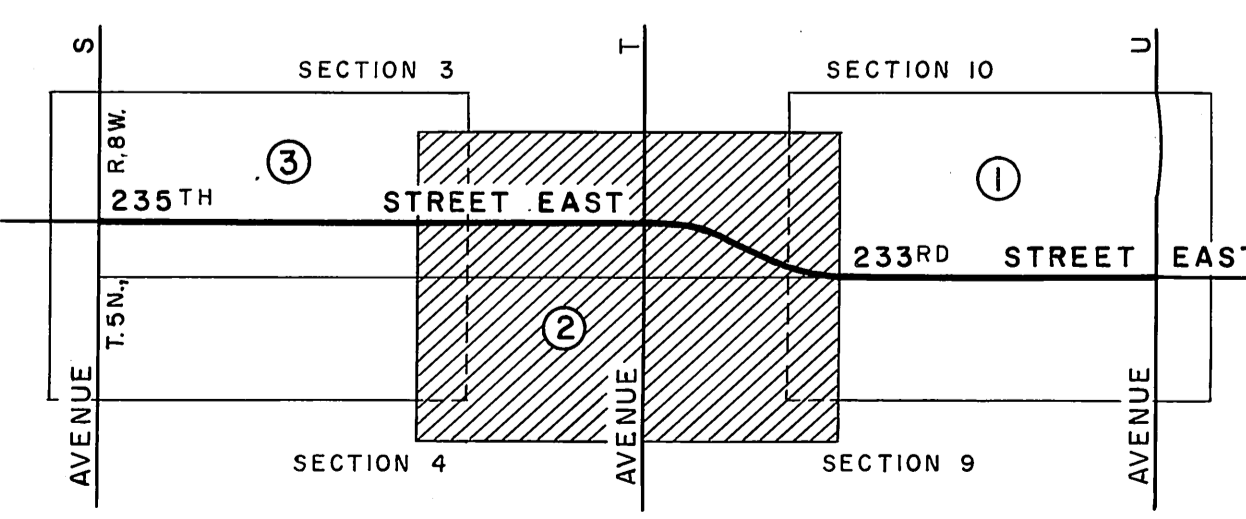


C. S. B - 5254 - 3

C. S. B - 5254 - 1

MATCH LINE

SURVEY CONTROL STATION
 EL MIRAGE D-9
 Found L.A. County Survey Control
 System Adjustment flush with
 surface. See F.B. 943-35, 36,
 F.B. 943-241
 N. 4, 315, 573.22
 E. 4, 370, 734.51 (1970 Adjustment)



COUNTY OF LOS ANGELES DEPARTMENT OF COUNTY ENGINEER HARVEY T. BRANDT—COUNTY ENGINEER PREPARED BY SURVEY DIVISION GEORGE J. FRANCISCHINI—DIVISION ENGINEER SURVEYED BY J. S. COATES CHECKED BY G. D. BAILEY DRAWN BY J. F. MERRILL	ALIGNMENT MAP OF 233RD-235TH STREET EAST FROM AVENUE U TO AVENUE S BASIS OF BEARINGS CALIFORNIA COORDINATE SYSTEM, ZONE 7		COUNTY SURVEYOR'S MAP NO. B-5254 SHEET 2 OF 3 SHEETS FILED: <i>[Signature]</i> 1970 NOV. - DEC. 1970 REFERENCE F. B. 3153 JOB NUMBER 0 0 8 0 5	REVISION NO. BY DATE

