

SECTION 23, T. 5 N., R. 14 W.

23 24

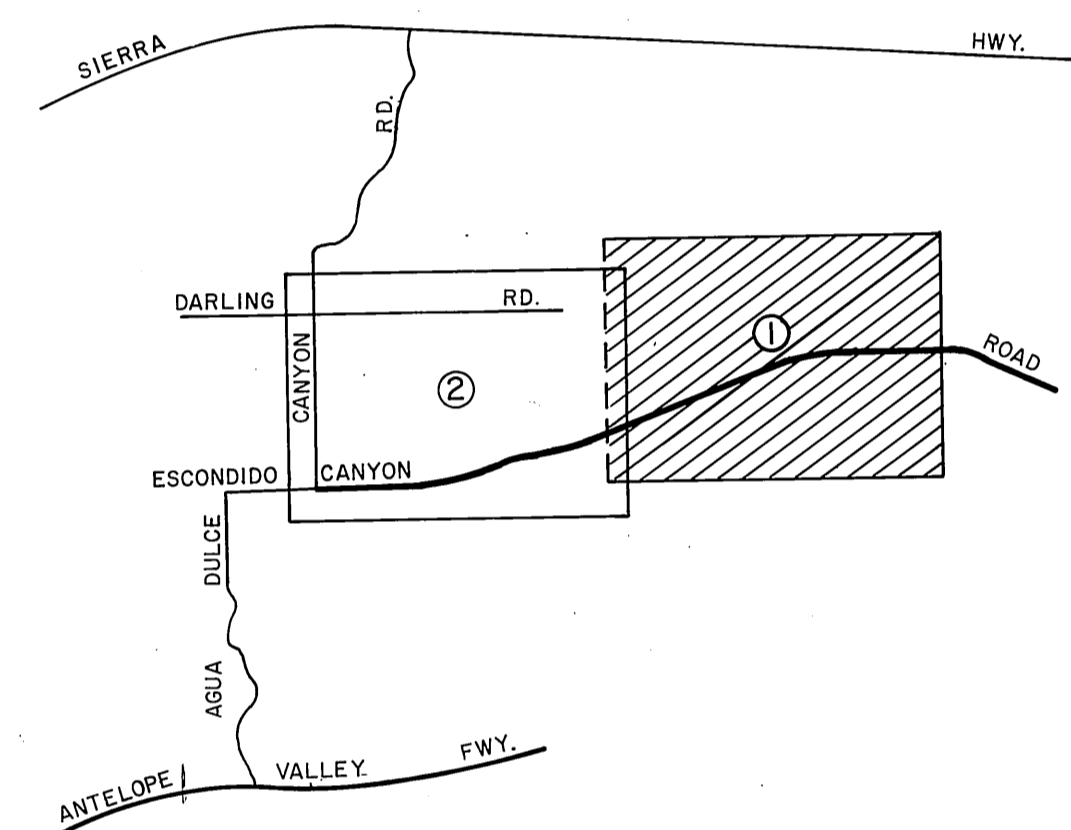
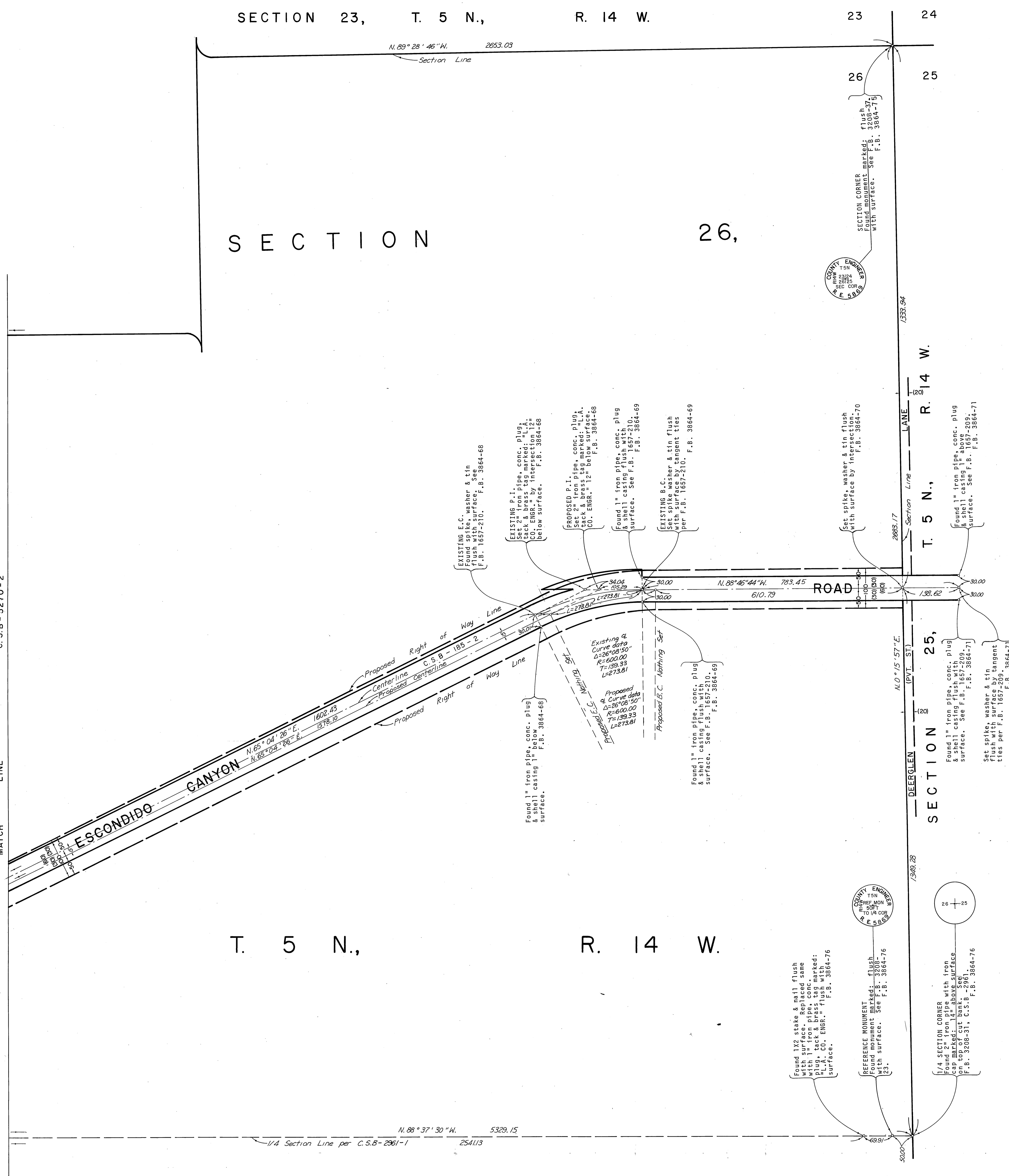
SECTION 26.

26

25 26

C.S.B. - 5270 - 2

MATCH LINE

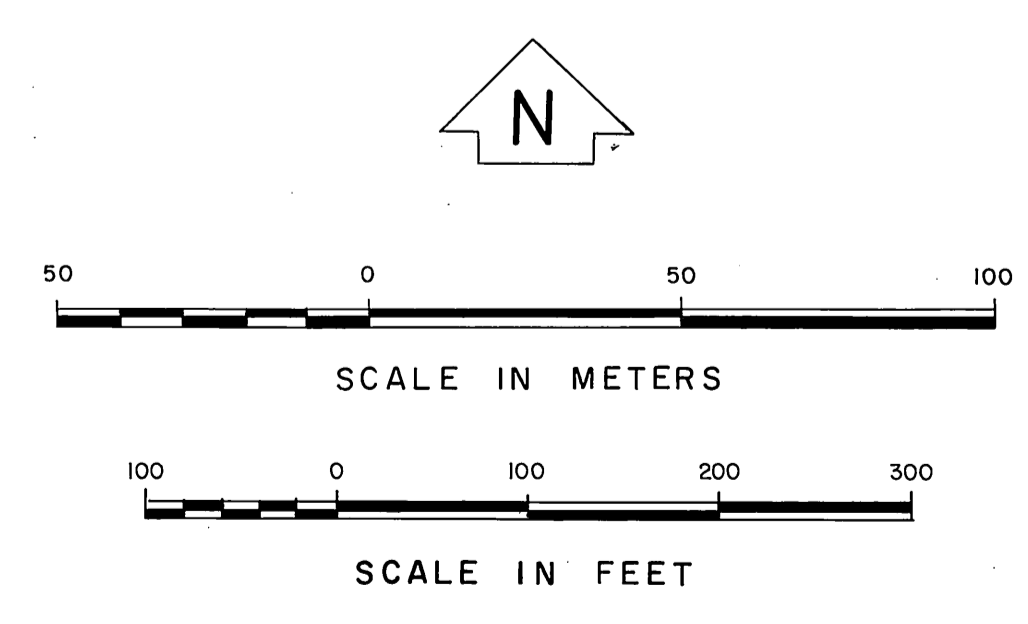


INDEX MAP NOT TO SCALE

NOTE:
 THIS MAP IS SUPERSEDED BY C.S.B. - 5521, SHOWING THE VALID ALIGNMENT OF ESCONDIDO CANYON ROAD PER C.S.B. - 185 - 2. SEE I.E.C. MINUTES DATED JANUARY 29, 1987.

ALSO THE RECLASSIFICATION FROM A MAJOR HIGHWAY AS SHOWN ON THE LOS ANGELES COUNTY GENERAL PLAN NOVEMBER 1980.

THE DISTANCE 38.79' ALONG THE 1/4 SECTION LINE, SHOWN ON DETAIL MAP OF SHEET 2 WAS IN ERROR AND CORRECTED TO 28.66' ON C.S.B. - 5531.



COUNTY OF LOS ANGELES DEPARTMENT OF COUNTY ENGINEER HARVEY T. BRANDT - COUNTY ENGINEER PREPARED BY SURVEY DIVISION GEORGE J. FRANCISCHINI - DIVISION ENGINEER SURVEYED BY <u>BITTEL</u> CHECKED BY <u>J. MUNOZ</u> DRAWN BY <u>J. ALFRED</u>	ALIGNMENT MAP OF		COUNTY SURVEYOR'S MAP NO. B-5270 SHEET 1 OF 2 SHEETS FILED: <u>Dec 28</u> , 1976 <u>George J. Francischini</u> SURVEYED DEC. 74 - JAN. 75 REFERENCE F. B. 3864 JOB NUMBER 009826 INDEX MAP NO. 279-177	REVISION	
	ESCONDIDO CANYON ROAD			NO.	BY
	FROM			DATE	
	EAST LINE SECTION 26, T. 5 N., R. 14 W.				
TO					
AGUA DULCE CANYON ROAD					
BASIS OF BEARINGS					
THE 1/4 SECTION LINE OF SECTION 26, T. 5 N., R. 14 W.					
(N. 88° 37' 30" W.) AS SHOWN ON C.S.B. - 2961 - 1.					

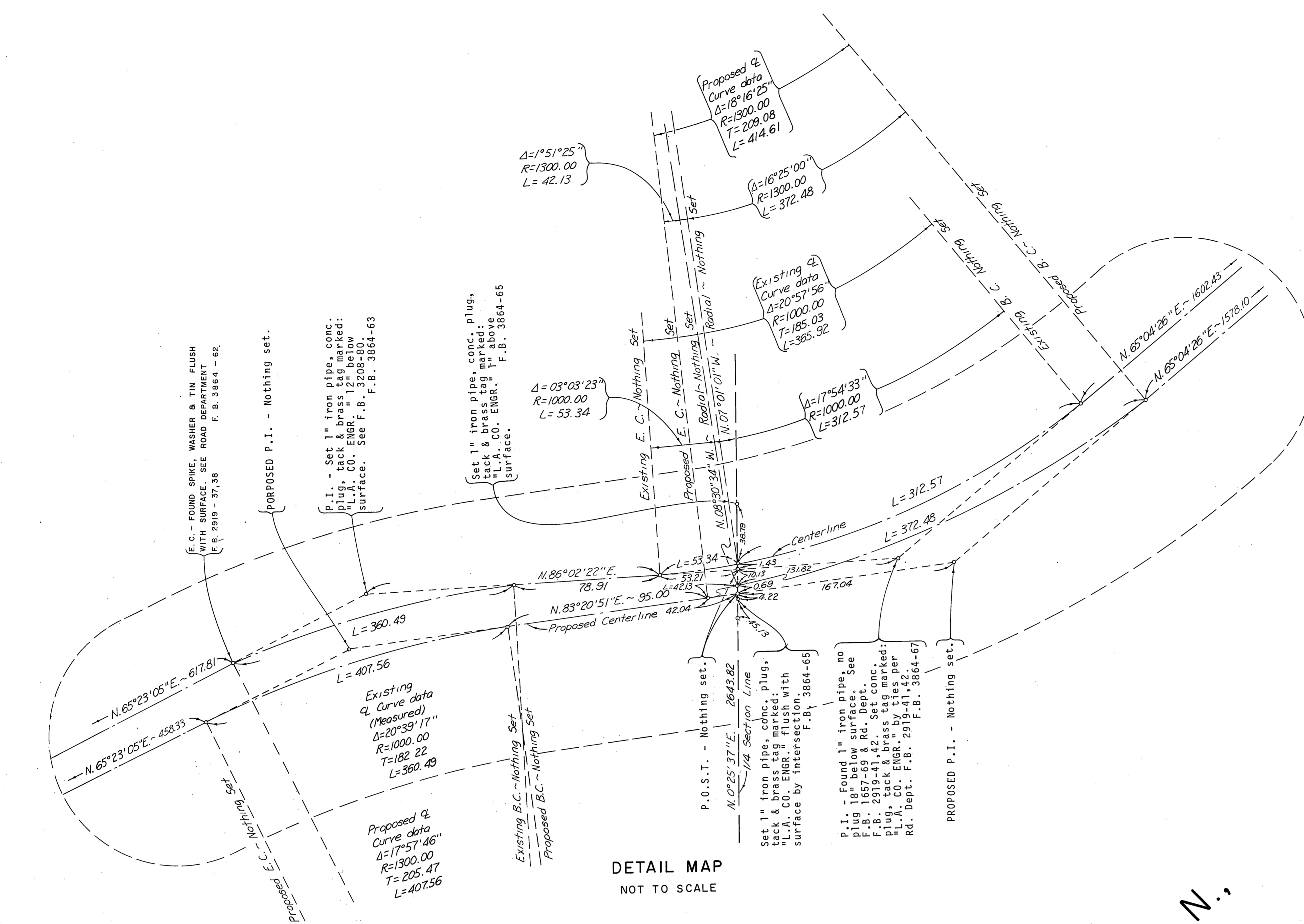
SECTION 23, T. 5 N., R. 14 W.

NOTE: THE ALIGNMENT OF AGUA DULCE CYN. RD. A MAJOR HIGHWAY, AS PROPOSED ON THE MASTER PLAN OF HIGHWAYS HAD NOT BEEN ESTABLISHED AT THE TIME OF THE FILING OF THIS MAP.

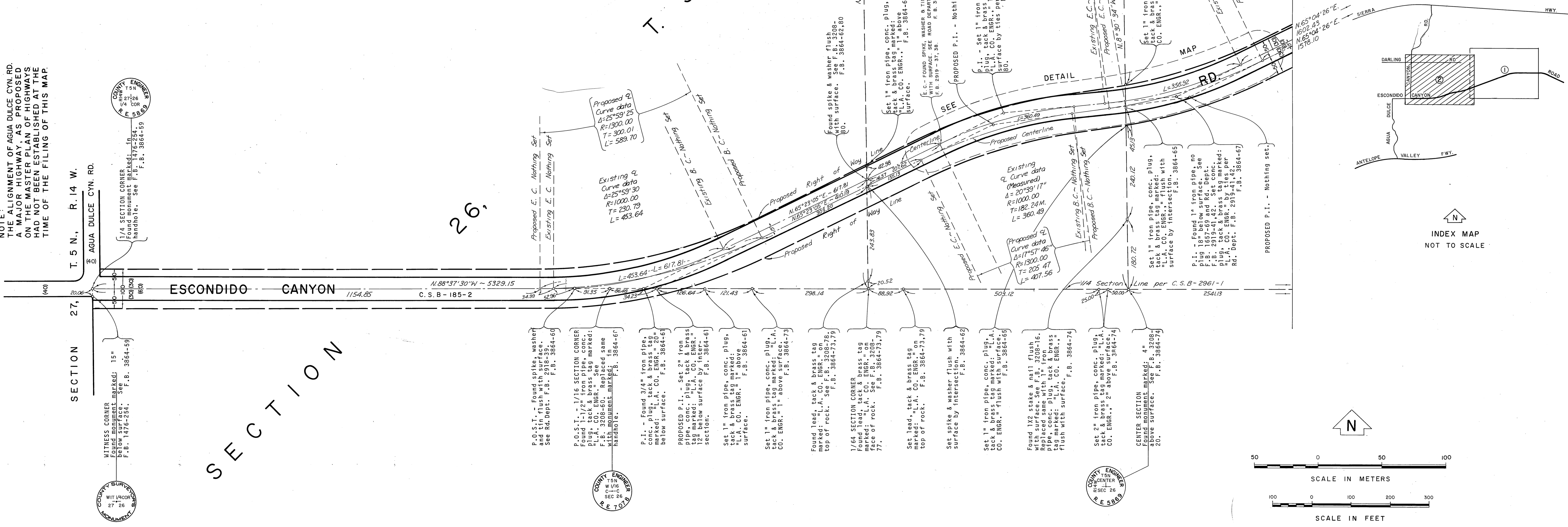
T. 5 N., R. 14 W.

SECTION 27

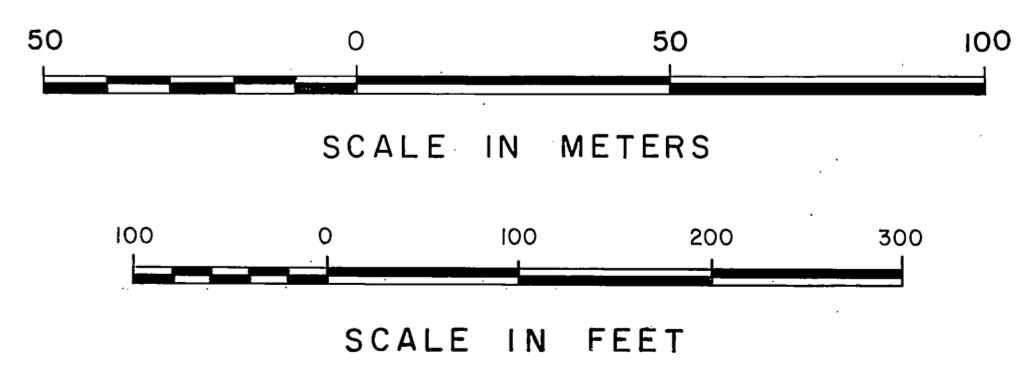
SECTION 26



DETAIL MAP NOT TO SCALE



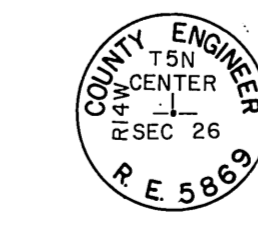
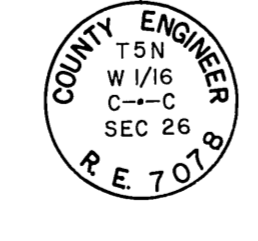
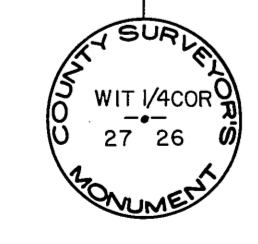
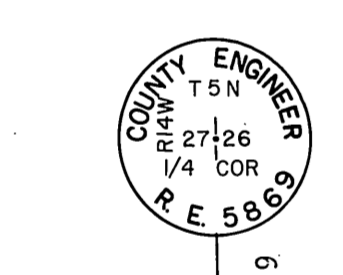
INDEX MAP NOT TO SCALE



NOTE:
THIS MAP IS SUPERSEDED BY C.S.B-5531, SHOWING THE VALID ALIGNMENT OF ESCONDIDO CANYON ROAD PER C.S.B-185-2, SEE I.E.C. MINUTES DATED JANUARY 29, 1987.

ALSO THE RECLASSIFICATION FROM A MAJOR HIGHWAY AS SHOWN ON THE LOS ANGELES COUNTY GENERAL PLAN NOVEMBER 1980.

THE DISTANCE 39.79' ALONG THE 1/4 SECTION LINE, SHOWN ON DETAIL MAP OF SHEET 2 WAS IN ERROR AND CORRECTED TO 28.66' ON C.S.B-5531.



COUNTY OF LOS ANGELES
DEPARTMENT OF
COUNTY ENGINEER
HARVEY T. BRANDT-COUNTY ENGINEER
PREPARED BY
SURVEY DIVISION
GEORGE J. FRANCESCHINI-DIVISION ENGINEER
SURVEYED BY R. J. BITTEL
CHECKED BY J. MUNOZ
DRAWN BY J. D. ALFORD

ALIGNMENT MAP OF
ESCONDIDO CANYON ROAD
FROM
EAST LINE SECTION 26, T. 5 N., R. 14 W.
TO
AGUA DULCE CANYON ROAD
BASIS OF BEARINGS
THE 1/4 SECTION LINE OF SECTION 26, T. 5 N., R. 14 W.
(N. 88° 37' 30" W.) AS SHOWN ON C.S.B-2961-1.

COUNTY SURVEYOR'S MAP NO. B-5270		REVISION
SHEET 2 OF 2 SHEETS		NO. BY DATE
FILED: June 28, 1976 R. J. Bittel		
SURVEYED DEC. 74 - JAN. 75		
REFERENCE F. B. 3864		
JOB NUMBER 009826	INDEX MAP NO. 279-177	