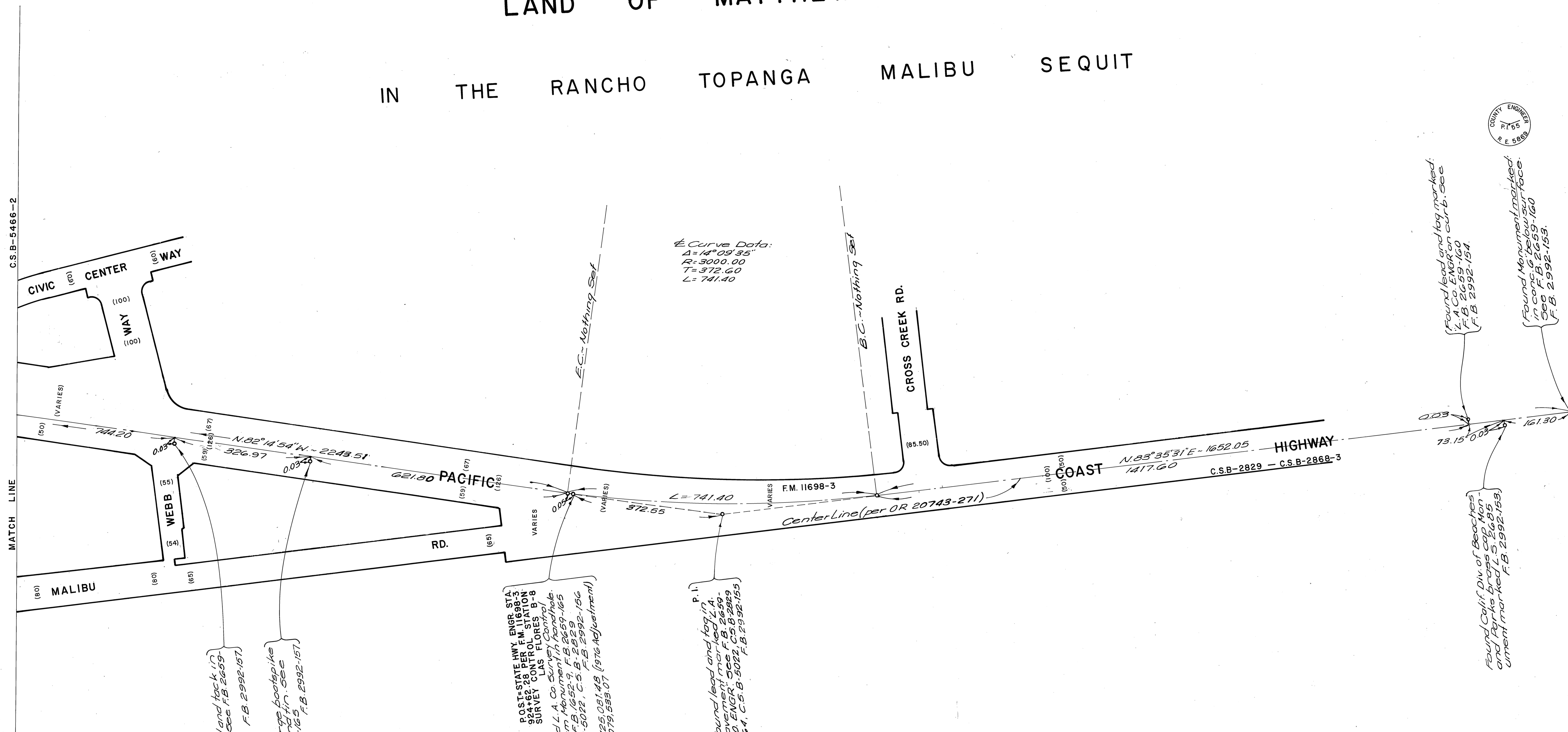


LAND OF MATTHEW KELLER IN THE RANCHO TOPANGA MALIBU SEQUIT



Found lead and tag in
government, see F.B. 2659-
166 F.B. 2992-187

Found large boot spike
west and in, see
F.B. 2659-165 F.B. 2992-157

POST-STATE HWY. ENGR. STA.
924+62.28 PER F.M. 11698-3
SURVEY CONTROL POINT
LAS TORRES B-8
Found L.A. Co. center line
System Marking, see F.B. 2659-165
See F.B. 1652-5, B-2229
C.S.B. 5022, C.S.B. 2992-156
N. 4, 125, 081, 48 (1976 Adjustment)
E. 4, 079, 558, 07

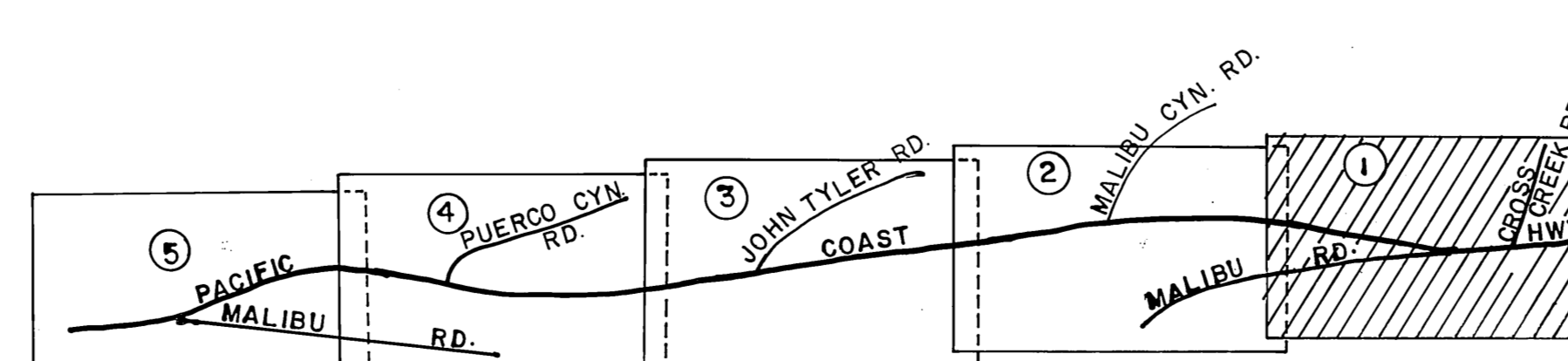
Found lead and tag in
government, see F.B. 2659-
164, C.S.B. 9-2022, C.S.B. 2992-155

Found lead and tag marked
in corr. 1/6' below surface
see F.B. 2659-160
F.B. 2992-154

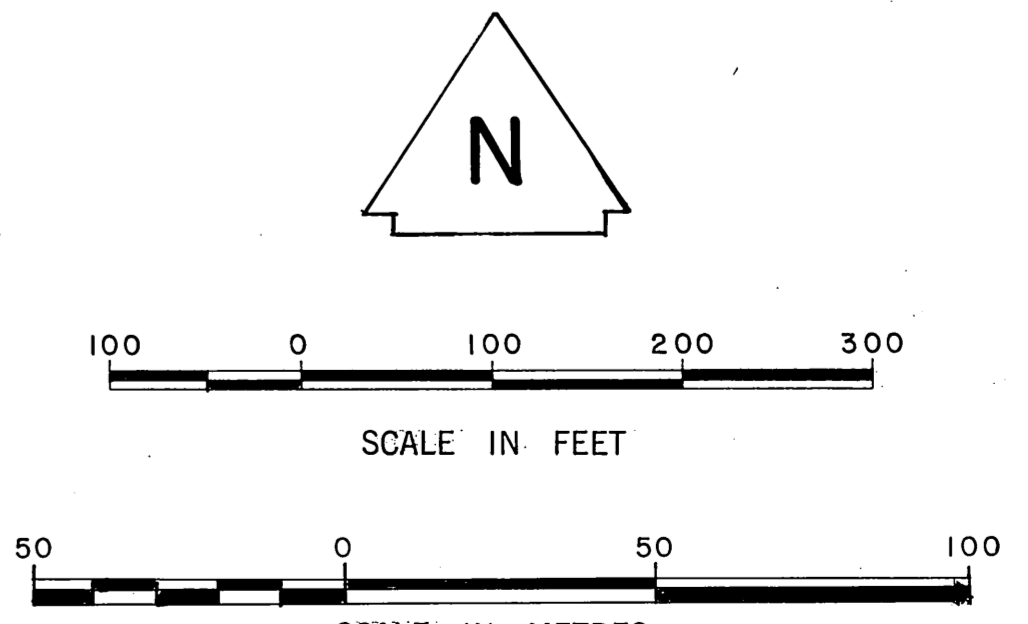
Found Monument marked
in corr. 1/6' below surface
see F.B. 2659-160
F.B. 2992-153

Found Calif. Div. of Beaches
and Parks cap Non-
ment marked L.S. 268-8
F.B. 2992-153

Curve Data:
Δ=14°09'35"
R=3000.00
T=372.60
L=741.40



INDEX MAP
NOT TO SCALE

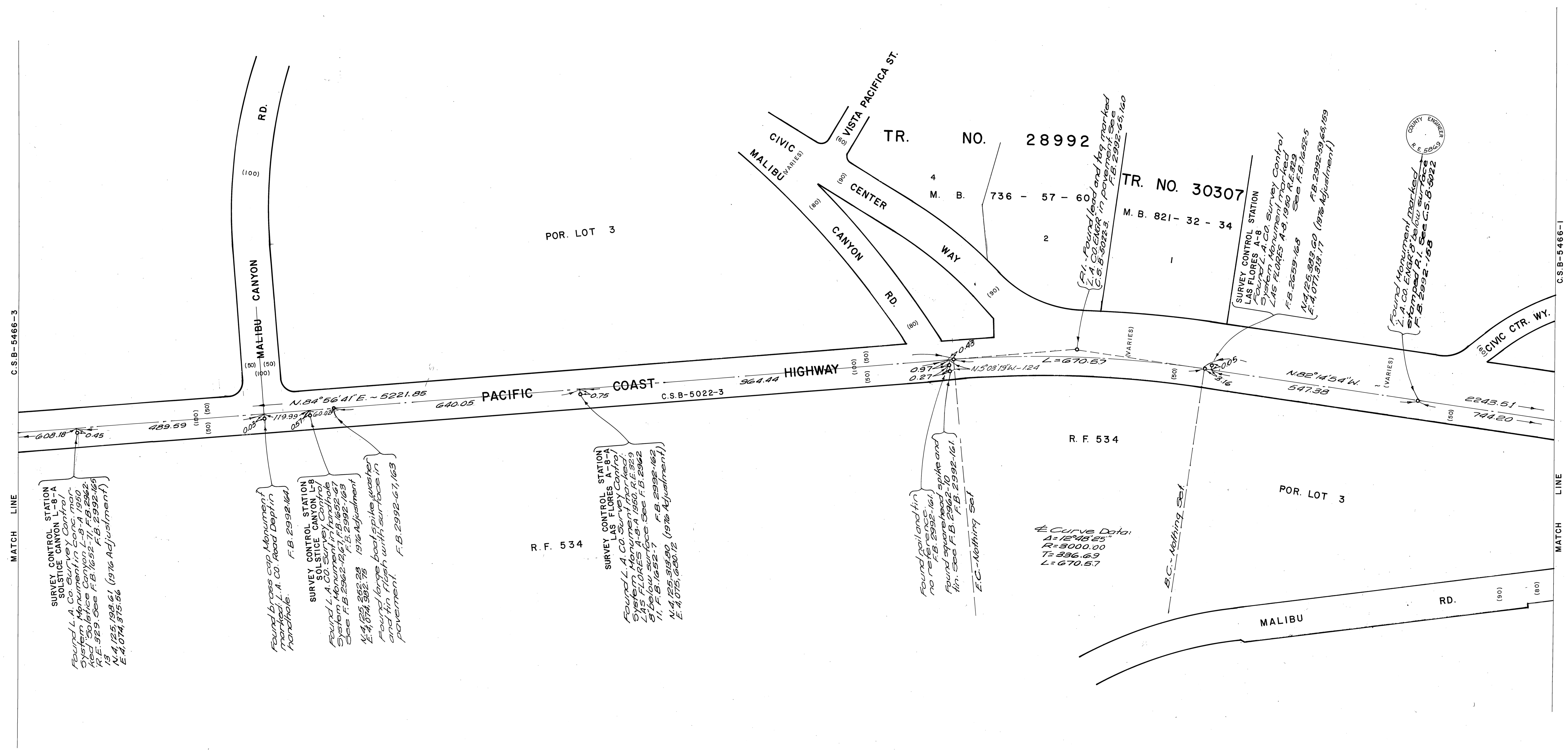


COUNTY OF LOS ANGELES DEPARTMENT OF COUNTY ENGINEER-FACILITIES STEPHEN J. KOONCE-COUNTY ENGINEER PREPARED BY SURVEY DIVISION RICHARD J. MITCHELL ASSISTANT DEPUTY COUNTY ENGINEER SURVEYED BY L.V. SMITH CHECKED BY R.S. HILLARIO DRAWN BY B. GOINS	ALIGNMENT MAP OF PACIFIC COAST HIGHWAY FROM STATE HWY. ENGR. STA. 786+40.70 TO STATE HWY. ENGR. STA. 924+62.28 BASIS OF BEARINGS CALIFORNIA COORDINATE SYSTEM, ZONE 7		COUNTY SURVEYOR'S MAP NO. B-5466 SHEET 1 OF 5 SHEETS FILED: <u>Survey 19</u> , 19 <u>86</u> DEPUTY SURVEYED MAY 1972 REFERENCE F.B. 2992	REVISION NO. BY DATE
	JOB NUMBER 0208-21		INDEX MAP NO. 114-057	

C 2 B - 2 4 6 6 - 5

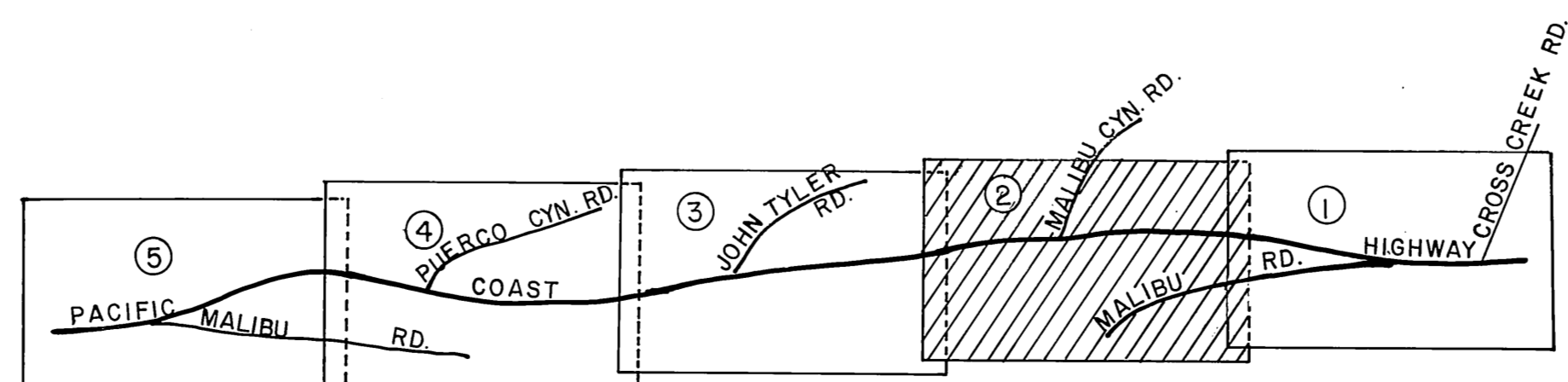
LAND OF MATTHEW KELLER

IN THE RANCHO TOPANGA MALIBU SEQUIT

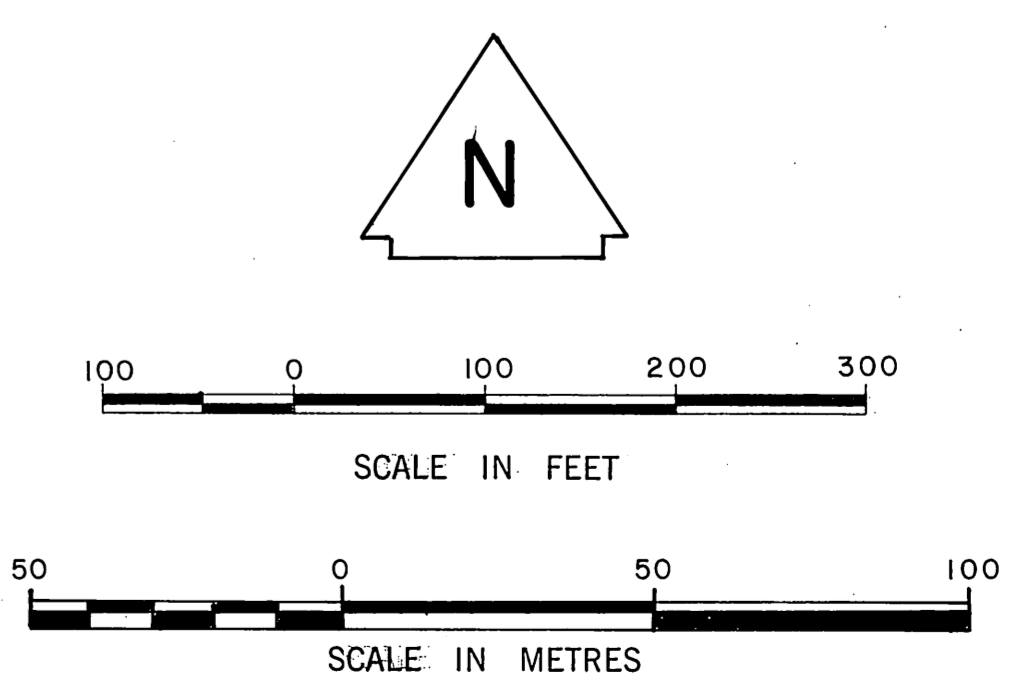


MATCH LINE

MATCH LINE



INDEX MAP NOT TO SCALE



COUNTY OF LOS ANGELES DEPARTMENT OF COUNTY ENGINEER-FACILITIES STEPHEN J. KOONCE-COUNTY ENGINEER PREPARED BY SURVEY DIVISION RICHARD J. MITCHELL ASSISTANT DEPUTY COUNTY ENGINEER SURVEYED BY L. V. SMITH CHECKED BY R. G. HILARIO DRAWN BY B. GOINS	ALIGNMENT MAP OF PACIFIC COAST HIGHWAY FROM STATE HWY. ENGR. STA. 786+40.70 TO STATE HWY. ENGR. STA. 924+62.28 BASIS OF BEARINGS CALIFORNIA COORDINATE SYSTEM, ZONE 7		COUNTY SURVEYOR'S MAP NO. B-5466 SHEET 2 OF 5 SHEETS FILED: January 19, 1982 SURVEYED MAY 1972 REFERENCE F.B. 2992	REVISION NO. BY DATE
	JOB NUMBER 0208.21		INDEX MAP NO. 114-057	

C.S.B-5466-1

C 2 B - 2 4 6 6 - 5

C2B-2400-3

LAND OF MATTHEW KELLER

IN THE RANCHO TOPANGA MALIBU SEQUIT

TR. NO. 30134
M. B. 820 - 15 - 22

POR. LOT 4

MALIBU WATER RECLAMATION PLANT

JOHN (100)

HIGHWAY

COAST

PACIFIC

Center Line per OR 20743-271

Curve Data:
Δ = 73° 27' 28"
R = 3000.00
T = 199.90
L = 399.22

E.C. - Nothing Set

S.C. - Nothing Set

Found 2x2 stakes and cap lock 5' below surface (inter-section of John and Pacific Coast Highway) See F.B. 2992-15 F.B. 2992-16 F.B. 2992-17 F.B. 2992-18 F.B. 2992-19 F.B. 2992-20 F.B. 2992-21 F.B. 2992-22 F.B. 2992-23 F.B. 2992-24 F.B. 2992-25 F.B. 2992-26 F.B. 2992-27 F.B. 2992-28 F.B. 2992-29 F.B. 2992-30 F.B. 2992-31 F.B. 2992-32 F.B. 2992-33 F.B. 2992-34 F.B. 2992-35 F.B. 2992-36 F.B. 2992-37 F.B. 2992-38 F.B. 2992-39 F.B. 2992-40 F.B. 2992-41 F.B. 2992-42 F.B. 2992-43 F.B. 2992-44 F.B. 2992-45 F.B. 2992-46 F.B. 2992-47 F.B. 2992-48 F.B. 2992-49 F.B. 2992-50 F.B. 2992-51 F.B. 2992-52 F.B. 2992-53 F.B. 2992-54 F.B. 2992-55 F.B. 2992-56 F.B. 2992-57 F.B. 2992-58 F.B. 2992-59 F.B. 2992-60 F.B. 2992-61 F.B. 2992-62 F.B. 2992-63 F.B. 2992-64 F.B. 2992-65 F.B. 2992-66 F.B. 2992-67 F.B. 2992-68 F.B. 2992-69 F.B. 2992-70 F.B. 2992-71 F.B. 2992-72 F.B. 2992-73 F.B. 2992-74 F.B. 2992-75 F.B. 2992-76 F.B. 2992-77 F.B. 2992-78 F.B. 2992-79 F.B. 2992-80 F.B. 2992-81 F.B. 2992-82 F.B. 2992-83 F.B. 2992-84 F.B. 2992-85 F.B. 2992-86 F.B. 2992-87 F.B. 2992-88 F.B. 2992-89 F.B. 2992-90 F.B. 2992-91 F.B. 2992-92 F.B. 2992-93 F.B. 2992-94 F.B. 2992-95 F.B. 2992-96 F.B. 2992-97 F.B. 2992-98 F.B. 2992-99 F.B. 2992-100

Found iron pipe caps, plus stakes and log marked A.C. CO. Survey Control Station in concrete below surface. Field for line. See F.B. 2992-17 F.B. 2992-18

Found lead and log in pavement marked L.A. CO. ENGR. See F.B. 2962-17 F.B. 2992-17a

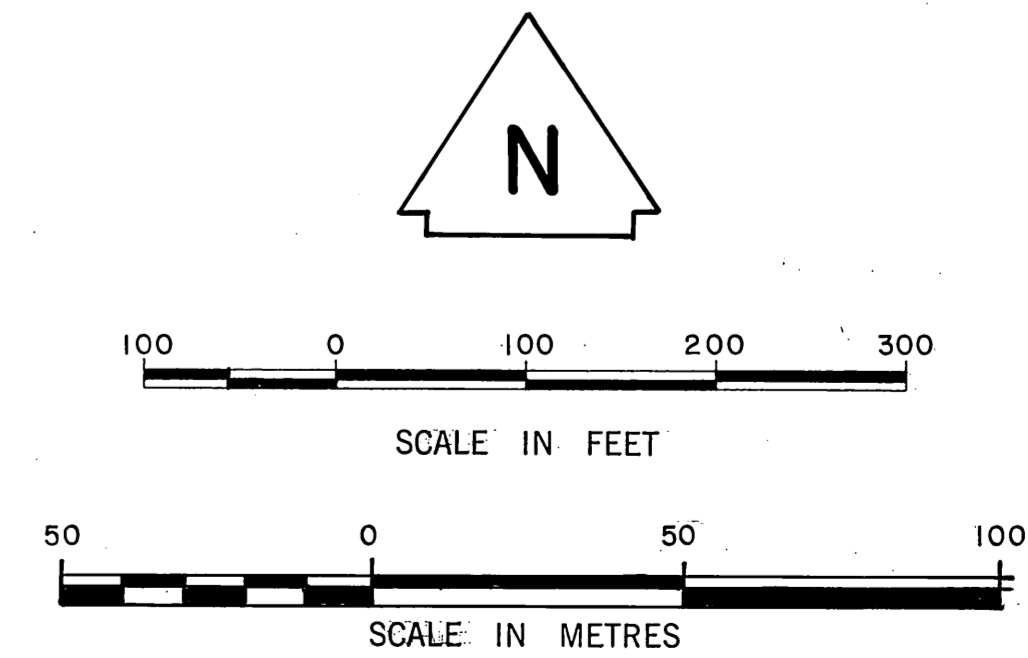
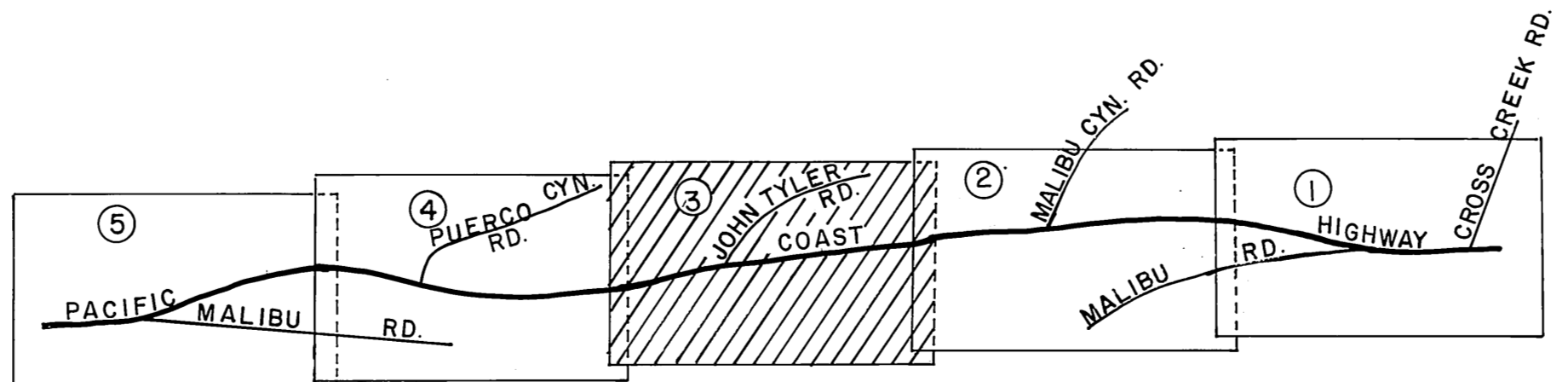
Established at intersection of Pacific Coast Highway and Pacific Coast Highway. See F.B. 2992-17a

POST - SURVEY CONTROL STATION SOLSTICE CANYON K-8-A Found L.A. CO. Survey Control Station Monument B below surface in concrete. See F.B. 2992-169 F.B. 2992-170 F.B. 2992-171 F.B. 2992-172 F.B. 2992-173 F.B. 2992-174 F.B. 2992-175 F.B. 2992-176 F.B. 2992-177 F.B. 2992-178 F.B. 2992-179 F.B. 2992-180 F.B. 2992-181 F.B. 2992-182 F.B. 2992-183 F.B. 2992-184 F.B. 2992-185 F.B. 2992-186 F.B. 2992-187 F.B. 2992-188 F.B. 2992-189 F.B. 2992-190 F.B. 2992-191 F.B. 2992-192 F.B. 2992-193 F.B. 2992-194 F.B. 2992-195 F.B. 2992-196 F.B. 2992-197 F.B. 2992-198 F.B. 2992-199 F.B. 2992-200

SURVEY CONTROL STATION SOLSTICE CANYON K-8 Found L.A. CO. Survey Control Station Monument B below surface in concrete. See F.B. 2992-169 F.B. 2992-170 F.B. 2992-171 F.B. 2992-172 F.B. 2992-173 F.B. 2992-174 F.B. 2992-175 F.B. 2992-176 F.B. 2992-177 F.B. 2992-178 F.B. 2992-179 F.B. 2992-180 F.B. 2992-181 F.B. 2992-182 F.B. 2992-183 F.B. 2992-184 F.B. 2992-185 F.B. 2992-186 F.B. 2992-187 F.B. 2992-188 F.B. 2992-189 F.B. 2992-190 F.B. 2992-191 F.B. 2992-192 F.B. 2992-193 F.B. 2992-194 F.B. 2992-195 F.B. 2992-196 F.B. 2992-197 F.B. 2992-198 F.B. 2992-199 F.B. 2992-200

Found lead and log in conc. marked L.A. CO. ENGR. See F.B. 2962-15 F.B. 2992-15

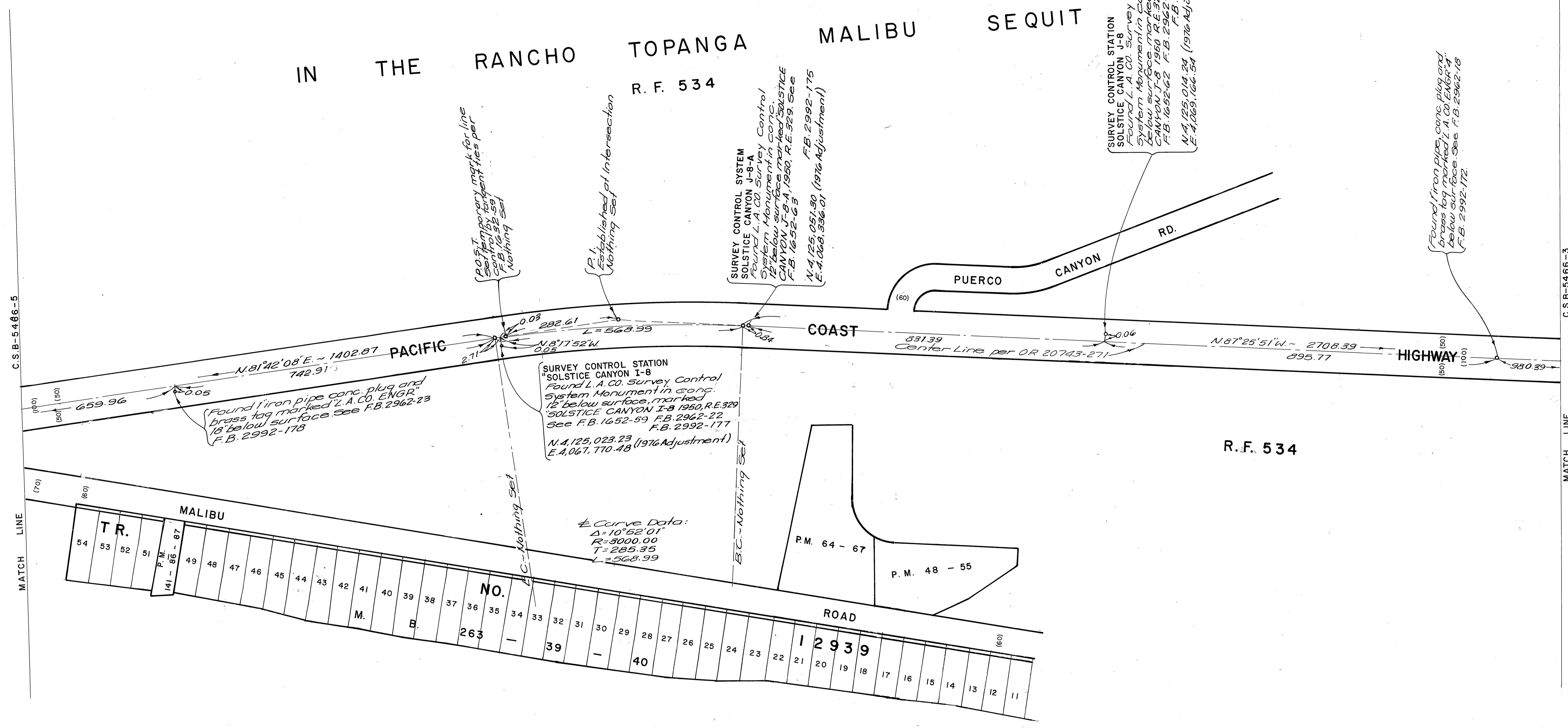
SURVEY CONTROL STATION SOLSTICE CANYON L-8-B Found L.A. CO. Survey Control Station Monument B below surface in concrete. See F.B. 2992-164 F.B. 2992-165 F.B. 2992-166 F.B. 2992-167 F.B. 2992-168 F.B. 2992-169 F.B. 2992-170 F.B. 2992-171 F.B. 2992-172 F.B. 2992-173 F.B. 2992-174 F.B. 2992-175 F.B. 2992-176 F.B. 2992-177 F.B. 2992-178 F.B. 2992-179 F.B. 2992-180 F.B. 2992-181 F.B. 2992-182 F.B. 2992-183 F.B. 2992-184 F.B. 2992-185 F.B. 2992-186 F.B. 2992-187 F.B. 2992-188 F.B. 2992-189 F.B. 2992-190 F.B. 2992-191 F.B. 2992-192 F.B. 2992-193 F.B. 2992-194 F.B. 2992-195 F.B. 2992-196 F.B. 2992-197 F.B. 2992-198 F.B. 2992-199 F.B. 2992-200



COUNTY OF LOS ANGELES DEPARTMENT OF COUNTY ENGINEER-FACILITIES STEPHEN J. KOONCE-COUNTY ENGINEER PREPARED BY SURVEY DIVISION RICHARD J. MITCHELL ASSISTANT DEPUTY COUNTY ENGINEER SURVEYED BY L.V. SMITH CHECKED BY R.G. HILLARIO DRAWN BY B. GOINS	ALIGNMENT MAP OF PACIFIC COAST HIGHWAY FROM STATE HWY. ENGR. STA. 786+40.70 TO STATE HWY. ENGR. STA. 924+62.28 BASIS OF BEARINGS CALIFORNIA COORDINATE SYSTEM, ZONE 7		COUNTY SURVEYOR'S MAP NO. B-5466 SHEET 3 OF 5 SHEETS FILED: January 17, 1972 DEPUTY SURVEYED MAY 1972 REFERENCE F.B. 2992	REVISION NO. BY DATE
	JOB NUMBER 0208.21		INDEX MAP NO. 114-057	

C2B-2400-3

LAND OF MATTHEW KELLER
IN THE RANCHO TOPANGA MALIBU SEQUIT
R. F. 534



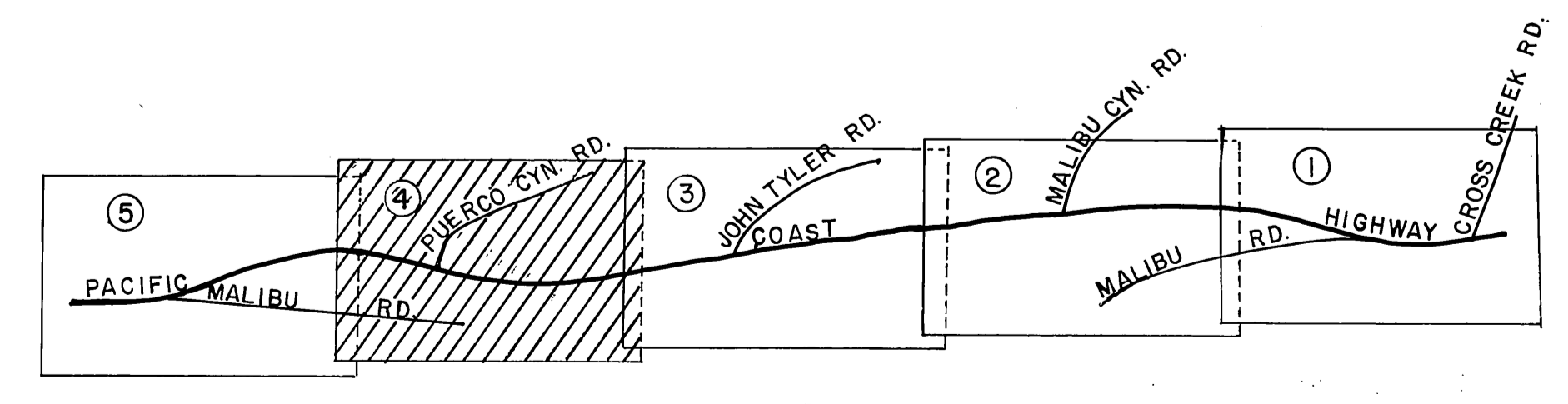
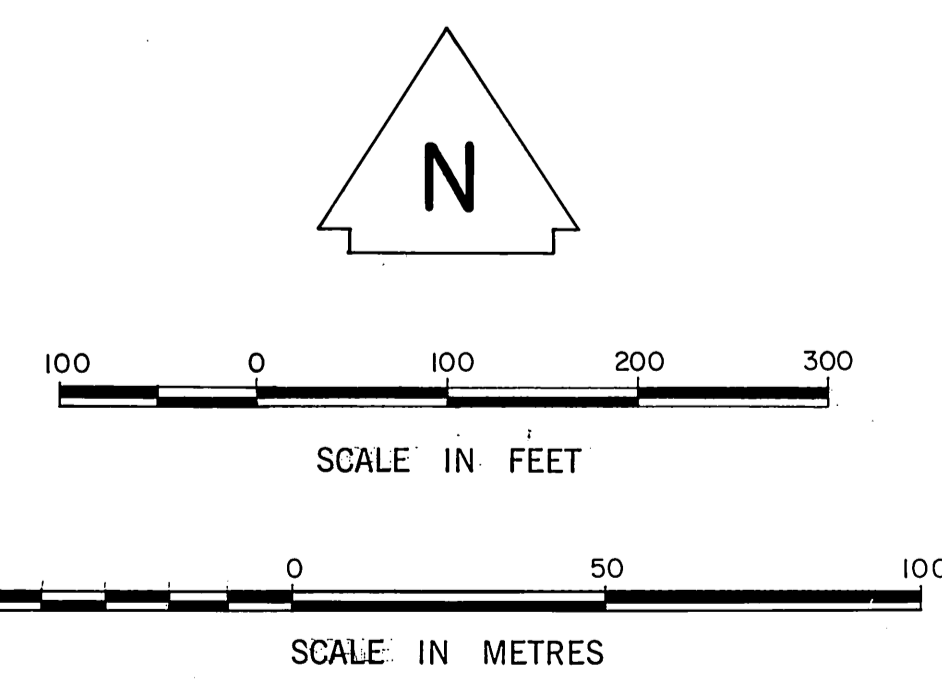
T.R.										MALIBU																																	
54	53	52	51	50	49	48	47	46	45	44	43	42	41	40	39	38	37	36	35	34	33	32	31	30	29	28	27	26	25	24	23	22	21	20	19	18	17	16	15	14	13	12	11
M.										E.																																	
NO.										NO.																																	
263										12939																																	

SURVEY CONTROL STATION
"SOLSTICE CANYON I-8"
Found L.A. Co. Survey Control
System Monument in conc.
12" below surface, marked
"SOLSTICE CANYON I-8 1950, R.E. 329"
See F.B. 1652-59 F.B. 2962-22
N. 4 125.023.23 (1976 Adjustment)
E. 4.067.770.48

Curve Data:
A = 10° 52' 01"
R = 3000.00
T = 235.95
L = 568.99

SURVEY CONTROL STATION
"SOLSTICE CANYON J-8"
Found L.A. Co. Survey Control
System Monument in conc. 12"
below surface, marked "SOLSTICE
CANYON J-8 1950, R.E. 329"
See F.B. 1652-59 F.B. 2962-22
N. 4 125.014.24 (1976 Adjustment)
E. 4.069.166.54

Found iron pipe on plug and
brass tag marked "SOLSTICE"
below surface. See F.B. 2962-18
F.B. 2992-172



COUNTY OF LOS ANGELES DEPARTMENT OF COUNTY ENGINEER-FACILITIES STEPHEN J. KOONCE-COUNTY ENGINEER PREPARED BY SURVEY DIVISION RICHARD J. MITCHELL ASSISTANT DEPUTY COUNTY ENGINEER SURVEYED BY L.V. SMITH CHECKED BY R.G. HILARIO DRAWN BY B. GOINS	ALIGNMENT MAP OF PACIFIC COAST HIGHWAY		COUNTY SURVEYOR'S MAP NO. B-5466	REVISION NO. BY DATE
	FROM STATE HWY. ENGR. STA. 786+40.70		SHEET 4 OF 5 SHEETS FILED: January 19, 1982 <i>R. J. Mitchell</i> DEPUTY SURVEYOR	
	TO STATE HWY. ENGR. STA. 924+62.28		SURVEYED MAY 1972	
	BASIS OF BEARINGS CALIFORNIA COORDINATE SYSTEM, ZONE 7		REFERENCE F.B. 2982	
			JOB NUMBER 0208.21	INDEX MAP NO. 114-057

