

OFFICE OF THE
COUNTY SURVEYOR
OF THE COUNTY OF LOS ANGELES

29

HIGHWAY DEDICATION MAP

LEGEND

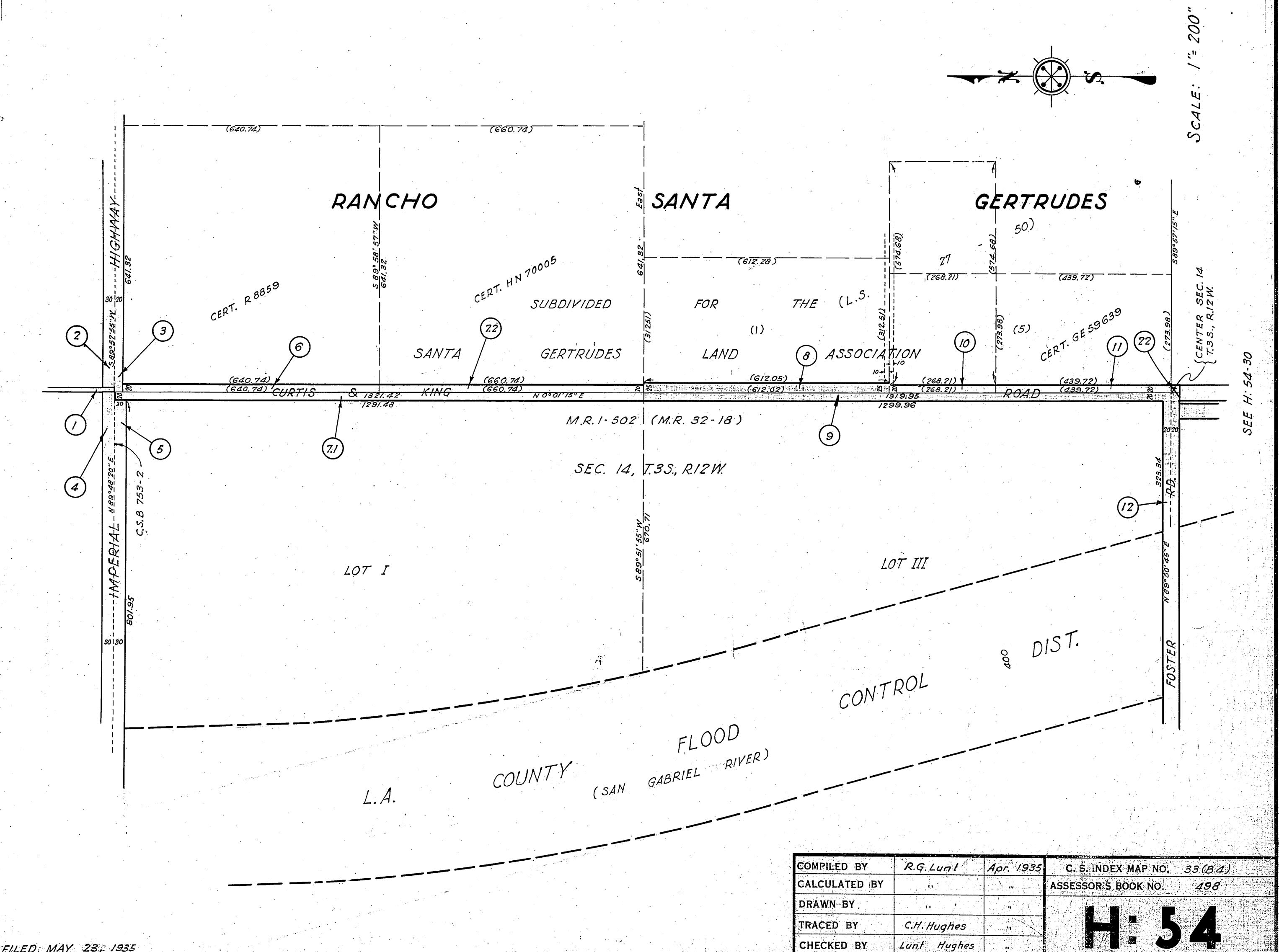
COUNTY SURVEYOR'S MAP NO. 8234
MAP NO. _____
INDEX MAP NO. 33(B4)
SEARCH MAP NO. Curtis & King Rd. (3)

FIELD BOOK NO. _____
FIELD BOOK NO. _____
PUBLIC TITLE COMPLETE _____
FEE SUBORDINATED (title incomplete) _____
HIGHWAY VACATIONS _____
OTHER EASEMENTS _____

WORDS AND FIGURES SHOWN QUOTED ON MAP ARE AS DESCRIBED IN CONVEYANCE. FIGURES SHOWN IN PARENTHESES ON MAP ARE FROM PREVIOUS RECORDS OR ARE CALCULATED THEREFROM. PROPERTY IN CONVEYANCE SHOWN IN COLORED TINT. DEDICATION STATUS SCALE INDICATES RELATIVE IMPORTANCE OF GRANTEE'S INTERESTS. IN EACH

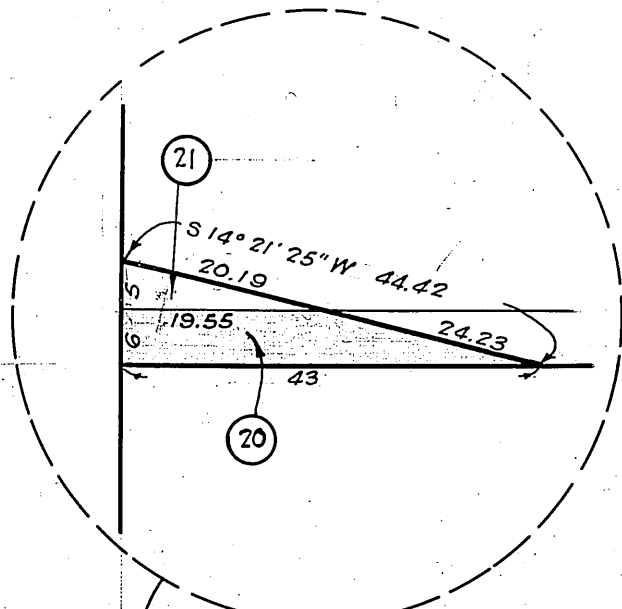
DEDICATION STATUS SCALE													POSTING CHECKED					
(F)	(T)	(E)	(M)	(J)	(V)	(L)	(C)	(P)	(H)	(D)	(S)	(A)	(R)	(B)	(C)	(D)	(E)	(F)
FEE	TAX TITLE	PARTICULAR ESTATES	TRUST DEEDS	MORTGAGES	JUDGMENTS	LEASES	EASEMENTS	REVERSE INTERESTS	PURCHASE CONTRACTS	H. D. MAP BOOK	SEARCH MAP	TRACTS. C.S.M., "D"	ASSESSOR'S BOOK	C. S. INDEX MAP				
1																		
2																		
3																		
4																		
5																		
6																		
7																		
8																		
9																		
10																		
11																		
12																		
13																		
14																		
15																		
16																		
17																		
18																		
19																		
20																		
21																		
22																		
23																		
24																		
25																		
26																		
27																		

LINE NO.	PARCEL NO.	OFFICIAL RECORDS CERTIFICATE NO. BOOK PAGE	DATE RECORDED	"D" BOOK PAGE	DATE OF CONVEYANCE	NATURE OF CONVEYANCE	PURPOSE	NAME	CONSIDERATION	CONDITIONS	GRANTEE	GRANTORS
1	1	D:576 85	5-22-89	1 229	5-22-89	Grant Deed	Fee Simple	—			Bd of Sup.	William B. & Florence E. Bland (F)
2	2	OR:6068 388	11-8-26	55 266	9-17-26	Road	Highway	Zinn Road	Val	None	L.A. County	Marius Long (F)
3	3	R 8859 120 526	5-16-27	91 162	3-21-27	" "	" "	" "	" "	" "	" "	Henry H. & Esther A. E. Pabst (F)
4	4	OR:7217 207	8-20-28	68 116	7-21-28	" "	" "	" "	" "	" "	" "	D.L., D.J., S.V. K. & G. Williams (F)
5	5	A.D.12436 113 401	2-2-27	58 194	8-20-26	" "	" "	" "	" "	" "	" "	John F. & Ada B.J. Adams (F)
6	6											
7	7.1 & 7.2											
8	8	IP:78519 16777E	11-10-36	E:13 165	9-10-36	" "	" "	Curtis & King Rd	" "	" "	" "	John H. Summers (F)
9	9	37 147	1-27-21	29 135	12-29-20	" "	" "	Foster Rd Curtis & King Rd.	" "	" "	" "	John Mies (F)
10	10											
11	11											
12	12	D:147 261	11-18-85	1 112	11-4-85	Grant Deed	Fee Simple	—			Bd of Sup.	A.N. King & J.M. Laughlin (F)
13	13.1 to 13.7	D:147 259	" "	" "	10-30-85	" "	" "	—	\$100	" "	" "	W. W. Curtis (F)
14	14	OR:187 70	3-11-21	D:29 166	2-14-21	Road Deed	Public Road & Highway	Curtis & King Rd.	Val	None	L.A. County	Cyrus A. & Drusilla Wiley (F)
15	15.1 & 15.2	1707 185	12-18-22	34 140	10-6-22	" "	" "	" "	" "	" "	" "	Mary E. & Allen B. Withrow Mary A. & J.G. Clark, Los Nietos Valley Bank
16	16.1 & 16.2 18.6	13273 54	1-24-35	E:3 44	2-6-34	" "	" "	" "	" "	" "	" "	J.G. Clark (F)
17	17-13.6 18.7	13095 171	11-7-34	E:2 108	8-1-34	" "	" "	" "	" "	" "	" "	A.F. Burns, H. Tarr, E.C. Morrison (F) A.O. Strickland, W.A. Fletcher
18	18.1 to 18.7	1051 263	5-9-22	D:32 202	3-2-22	" "	" "	" "	" "	" "	" "	Mary E. Withrow J.G. Clark (F) Los Nietos Valley Bank
19	19.1 & 19.2											
20	20	7226 290	9-21-28	68 216	10-9-26	" "	" "	Zinn Rd	" "	" "	" "	D.L., D.J. & S.V. Williams (F) (See Line 4) So. Cal. Gas Co. (Es)
21	7.1 & 7.2	40 218	2-25-21	29 158	12-29-20	" "	" "	" "	" "	" "	" "	Ada B. Jerome (F)
22	18.3 to 18.7	1519 316	12-11-22	26 195	11-20-22	Vacation	Vac. of Hwy. Easement	Curtis & King Rd.	" "	" "	Fee Owner	County of L.A.
23	13.3 13.4 19.7	R.B. 23 88	4-24-22	26 182	4-24-22	" "	" "	" "	" "	" "	" "	" "
24	13.5 13.6 17, 18.6, 18.7 19.1, 19.2	13887 141	1-2-36	E:9 62	11-4-35	Rd. Deed	Road	" "	" "	" "	Co. L.A.	L.A. Co. Flood Control Dist. (Es)
25	20	14413 394	11-9-36	E:13 153	9-28-36	" "	" "	" "	" "	" "	" "	Joe & Rose N. Schnablegger (F)
26	21										" "	County of L.A. (F)
27	22	14923 274	5-11-37	E:8 53	5-4-37	Vacation	Vac. of Hwy. Easement	Foster Rd.	" "	" "	Fee Owner	County of L.A.



COMPILED BY	R.G. Lunt	Apr. 1935	C. S. INDEX MAP NO.	33 (B4)
CALCULATED BY	"	"	ASSESSOR'S BOOK NO.	498
DRAWN BY	"	"	H: 54	
TRACED BY	C.H. Hughes	"		
CHECKED BY	Lunt Hughes	"		

OFFICE OF THE
COUNTY SURVEYOR
OF THE COUNTY OF LOS ANGELES
HIGHWAY DEDICATION MAP



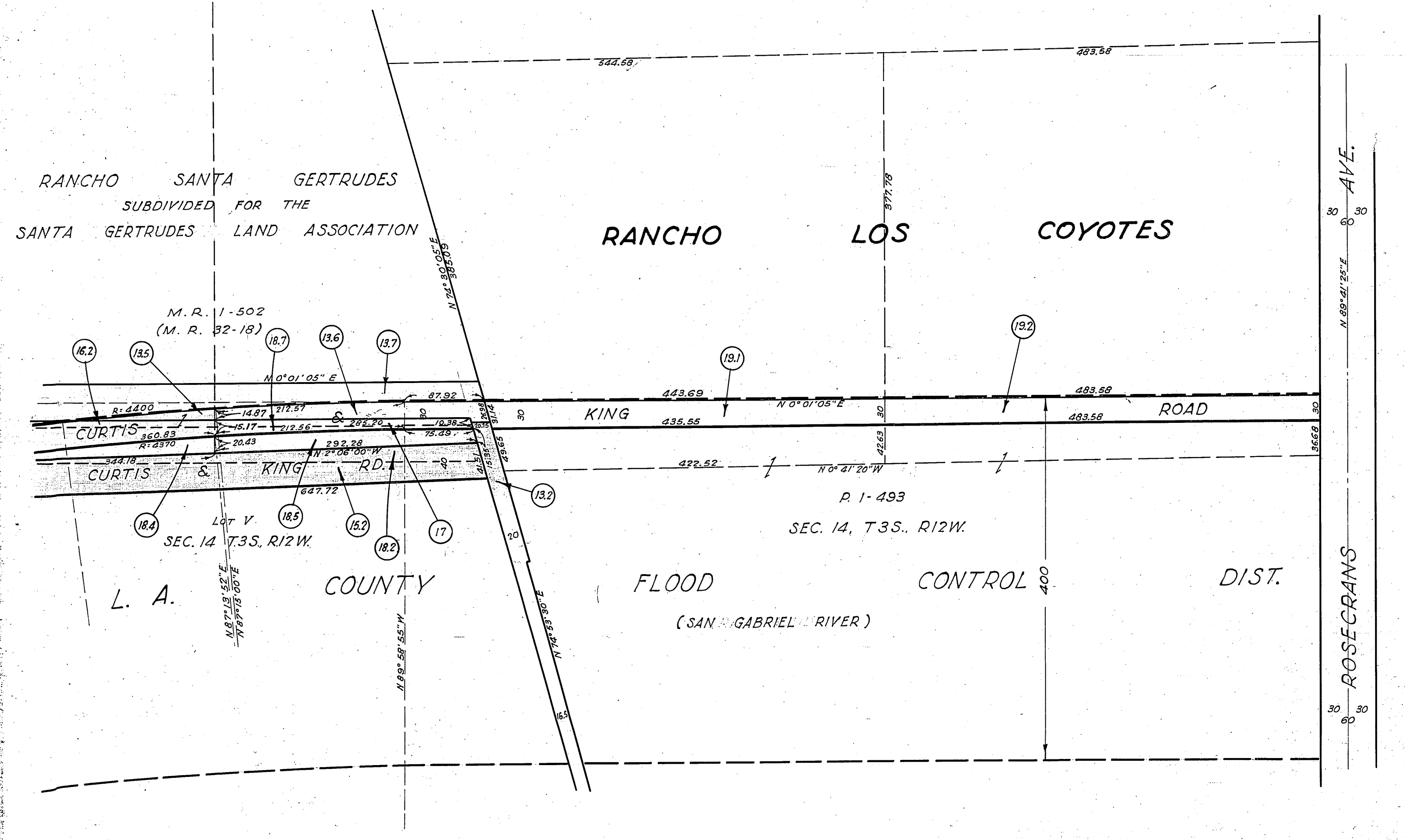
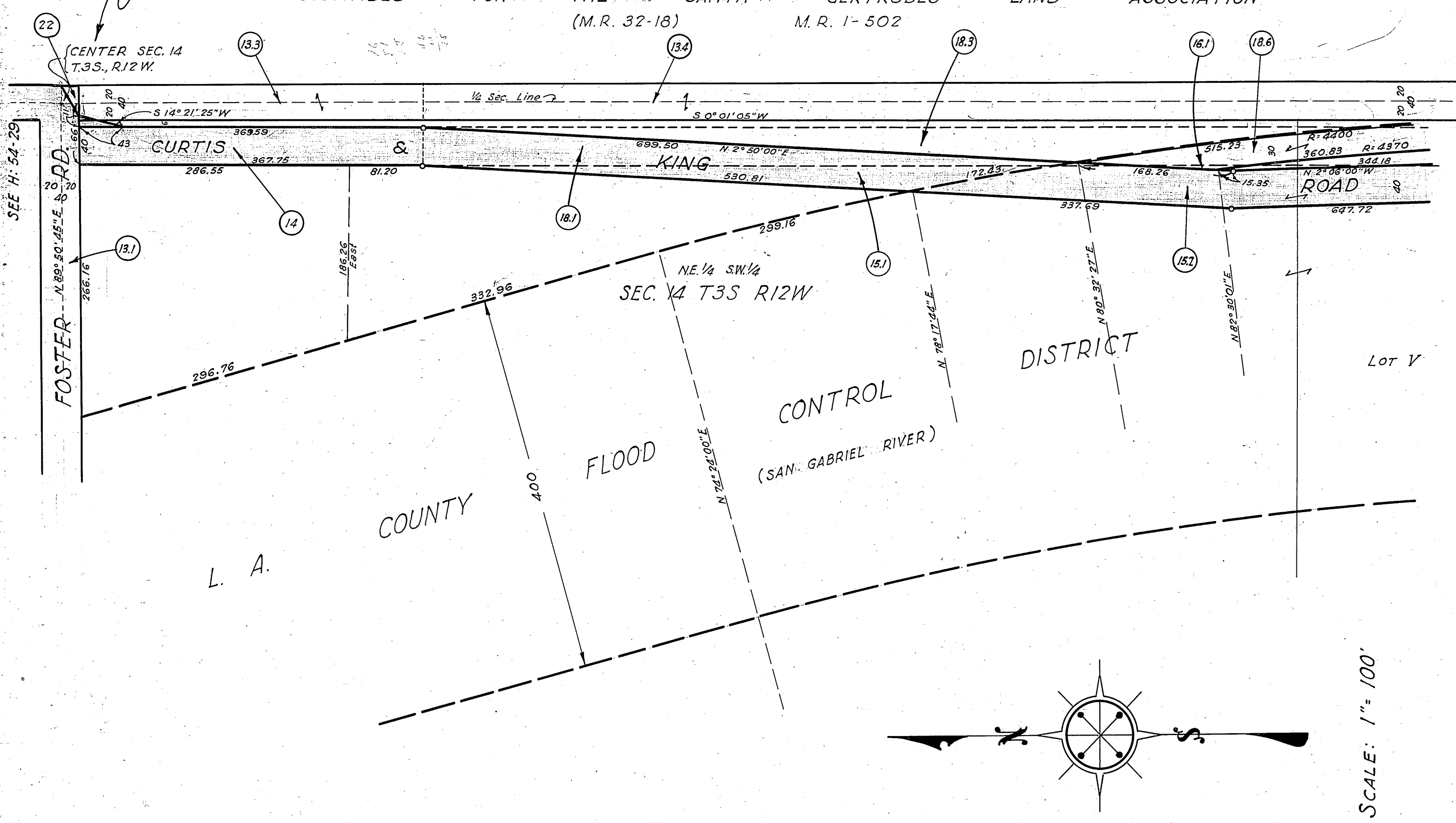
RANCHO

SANTA

GERTRUDES

SUBDIVIDED FOR THE SANTA GERTRUDES LAND ASSOCIATION

(M.R. 32-18) M.R. 1-502



COMPILED BY	R G LUNT	Apr. 1935	C. S. INDEX MAP NO.	33(B4)
CALCULATED BY	"	"	ASSESSOR'S BOOK NO.	498
DRAWN BY	"	"		
TRACED BY	Hughes	"		
CHECKED BY	Lunt - Hughes	"		

H: 54