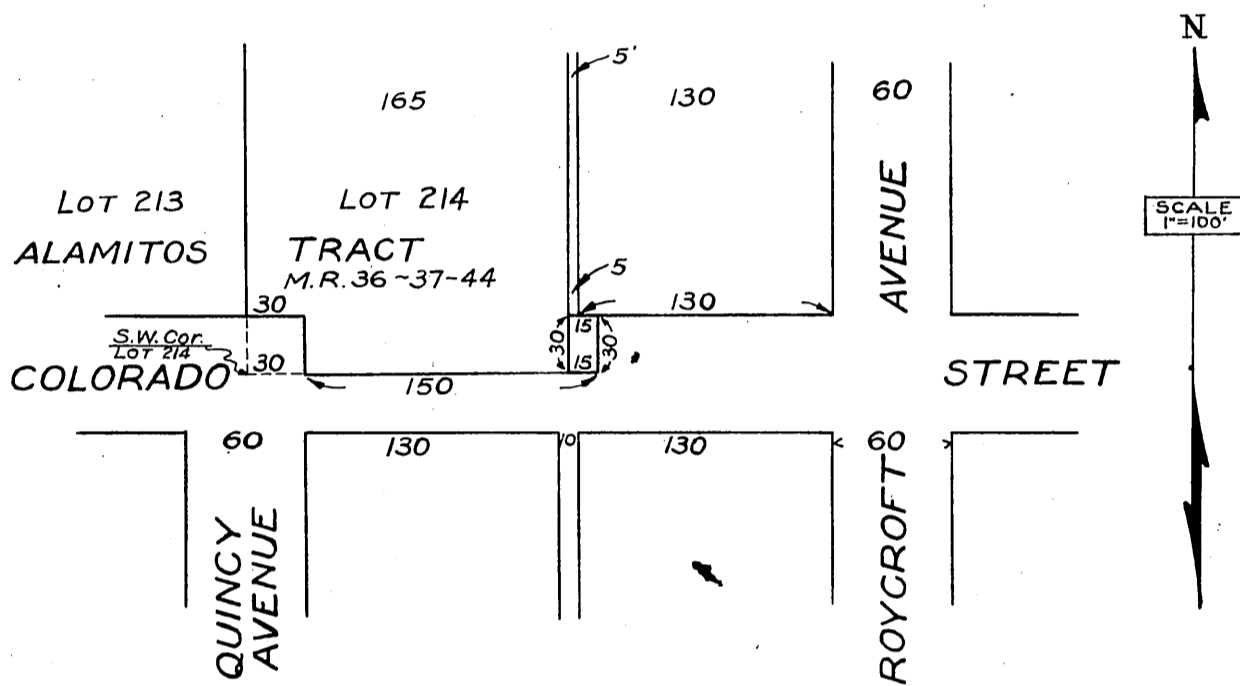


73

J.G. KOON AND KATHARINE K. KOON
TO
CITY OF LONG BEACH

ORM 4604 367
73



SKETCH SHOWING A PORTION OF
LOT N^o 214 ALAMITOS TRACT
QUIT CLAIMED TO THE CITY OF LONG BEACH
FOR STREET PURPOSES
Red Tint Shows Portion Deeded.

Comp. I.C.
G.C.W.

n-186
D:53-104
Sht. 31

RECORDED MAY 13, 1926.

O.R. 4604