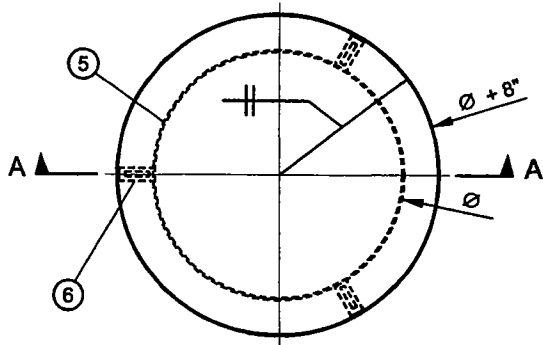


TANK - ROOF VENT DETAILS

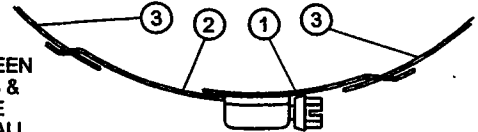
MATERIAL LIST

| ITEM | DESCRIPTION | Matl | Reqd |
|------|--|-----------|------|
| 1 | DRIVER FOR WORM DRIVE CLAMP | STAINLESS | 2 |
| 2 | GRIPPING STRAP FOR WORM DRIVE CLAMP | STAINLESS | 2 |
| 3 | PERFORATED BAND, 1/2" x 0.025" | STAINLESS | 2 |
| 4 | MESH INSECT SCREEN, .017" x 18 x 18 WIRE | STAINLESS | 1 |
| 5 | PLATE, 3/8" x 18" ROLL TO DIAMETER ON PLAN | A36 | 1 |
| 6 | FLAT BAR, 3/8" x 1 1/2" x 4" LG PUNCH AS DETAILED | A36 | 3 |
| 7 | 14 GAGE STEEL VENT HOOD, WELD AS SHOWN | A36 | 1 |
| 8 | BOLT, 3/8" x UNC x 1" LG W/ NYLOCK NUT & WASHER | 304SS | 6 |
| 9 | FB, 3/16" x 1 1/2" x 5 5/8" LG BEND & PUNCH PER TEMPLATE | A36 | 3 |
| 10 | EXPANDED METAL, 3/4" #9, WELDED TO INSIDE OF ITEM 5 | 304SS | 1 |



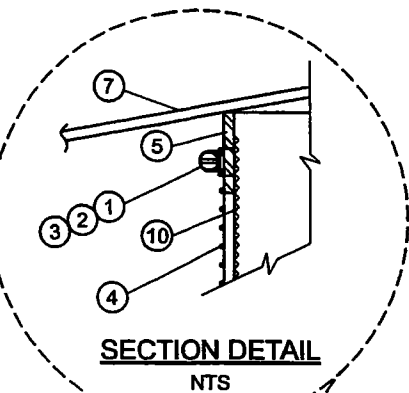
TOP VIEW
NTS

INSTALL CLAMPING RINGS AFTER SCREEN IS IN PLACE. RINGS & SCREEN ARE TO BE INSTALLED AFTER ALL PAINT IS DRY

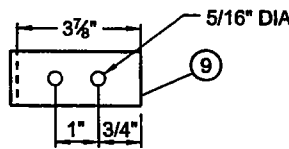


OUTER CLAMPING RING

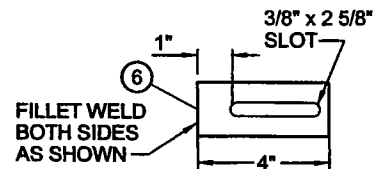
CONNECTION DETAIL
NTS



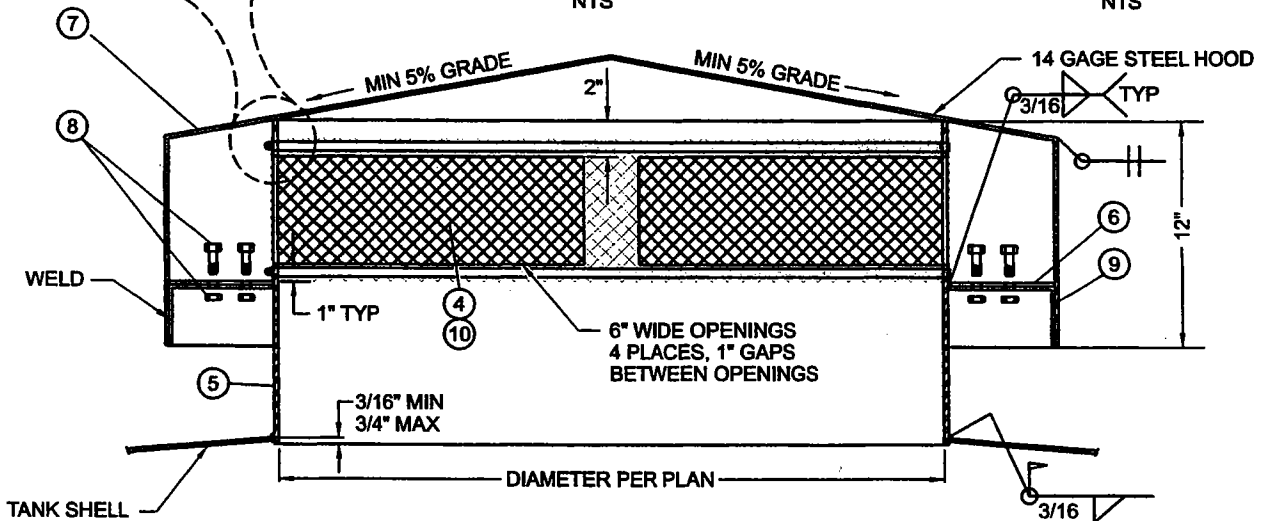
SECTION DETAIL
NTS



DETAIL ITEM 9
NTS



DETAIL ITEM 6
NTS



ROOF VENT ELEV. SECTION A-A
NTS

LOS ANGELES COUNTY WATERWORKS DISTRICTS

DEPARTMENT OF PUBLIC WORKS

STANDARD PLAN

W-31

APPROVED

ASSISTANT DEPUTY DIRECTOR

APRIL 2004

DATE

SHEET 1 OF 1