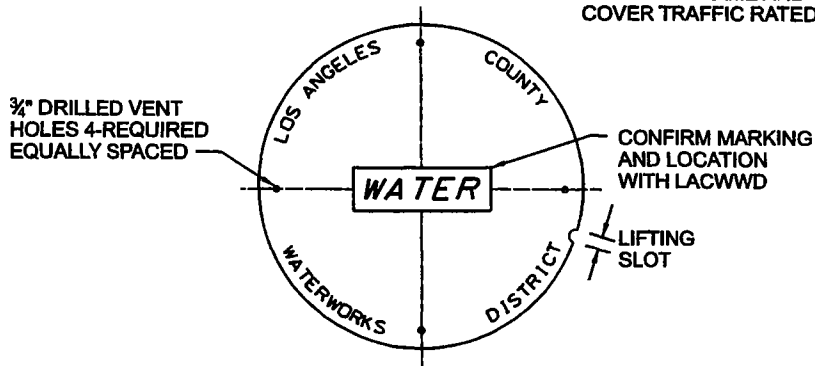


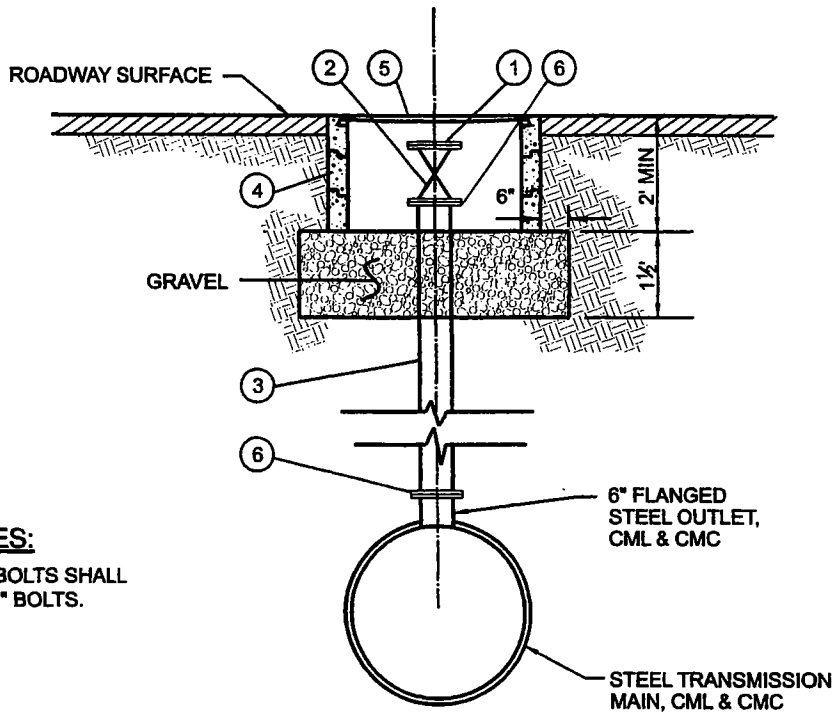
**PUMP WELL
STYLE A**

STYLE A

NOTE:
36" I D OPENING -
MANHOLE FRAME AND
COVER TRAFFIC RATED



MANHOLE COVER DETAIL
NTS



GENERAL NOTES:

1. ALL NON-BURIED BOLTS SHALL BE COATED "BLUE" BOLTS.

PUMP WELL DETAIL
NTS

MATERIAL LIST

1	6" BLIND FLANGE, STEEL, AWWA CL D
2	6" GATE VALVE, FLANGED, 200 PSI MIN WWP, WITH HAND WHEEL
3	6" STEEL PIPE SPOOL, 10 GA, CML & CMC
4	36" ID PRECAST CONCRETE GRADE RINGS
5	36" DIA CAST IRON MANHOLE FRAME AND COVER PER DETAIL
6	6" STEEL SLIP-ON WELDING FLANGE, AWWA CL D

LOS ANGELES COUNTY WATERWORKS DISTRICTS

DEPARTMENT OF PUBLIC WORKS

STANDARD PLAN

W-53

APPROVED

Mark Keef
ASSISTANT DEPUTY DIRECTOR

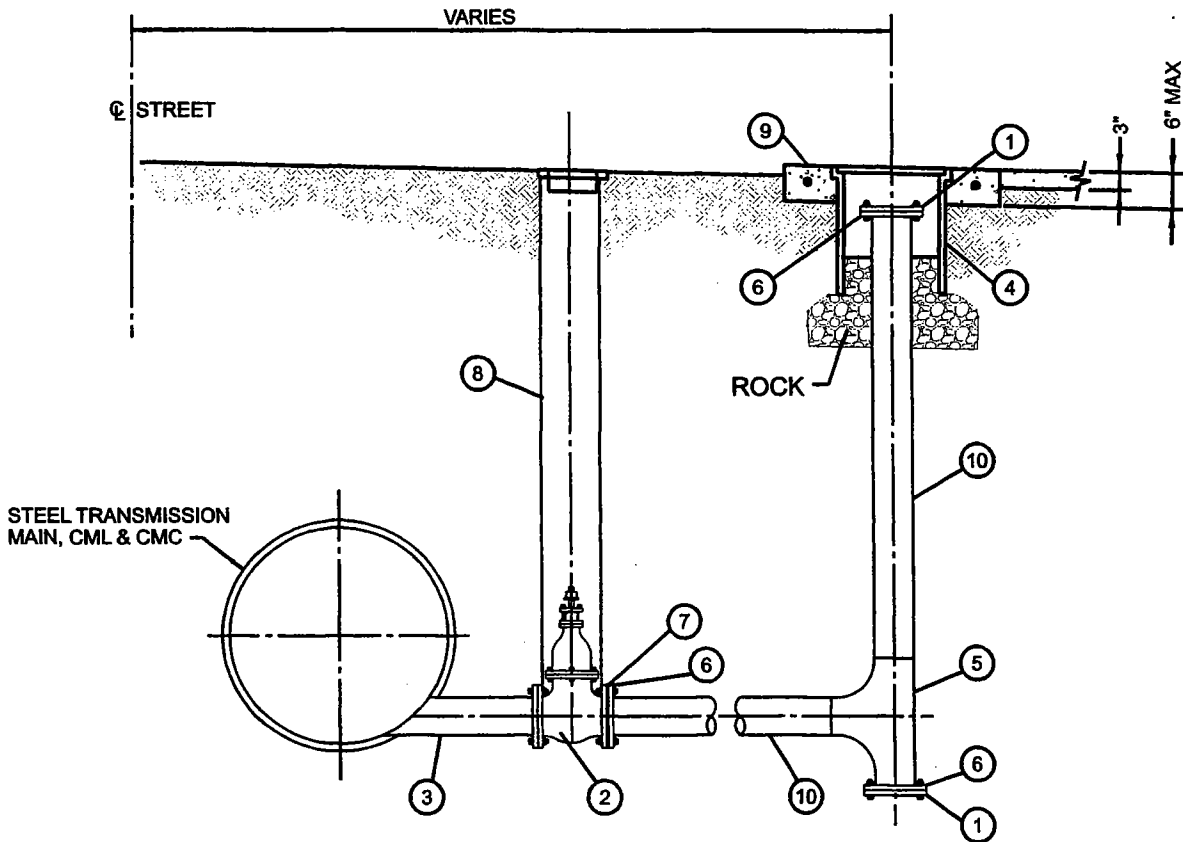
APRIL 2004

DATE

SHEET 1 OF 2

PUMP WELL
STYLE B

STYLE B



PUMP WELL DETAIL

NTS

GENERAL NOTES:

1. ALL NON-BURIED BOLTS SHALL BE COATED "BLUE" BOLTS.

MATERIAL LIST

1	8" BLIND FLANGE, STEEL, AWWA CL D
2	8" GATE VALVE, RW, FLANGED, 200 PSI MIN WWP, NRS, FLG CL 125, 2" STD AWWA NUT
3	8" STEEL NOZZLE, FLANGED, AWWA CL D, 0.25" THICKNESS MIN, CML & CMC
4	POLYMER METER BOX WITH COVER, NOMINAL INSIDE DIMENSION 13"W x 24"L x 12"D
5	8" WELD TEE, STD STL, CML & CMC
6	8" STEEL SLIP-ON WELDING FLANGE, AWWA CL D
7	INSULATING GASKET
8	ADJUSTABLE VALVE BOX PER STD PLAN W-15
9	3' LONG x 3' WIDE x 3" DEEP CONCRETE PAD W/ 2-#4 EW
10	8" STEEL PIPE SPOOL, 10 GA, CML & CMC

LOS ANGELES COUNTY WATERWORKS DISTRICTS

DEPARTMENT OF PUBLIC WORKS

STANDARD PLAN

W-53

APPROVED

Michael Seal
ASSISTANT DEPUTY DIRECTOR

APRIL 2004

DATE

SHEET 2 OF 2